

May 30, 2019

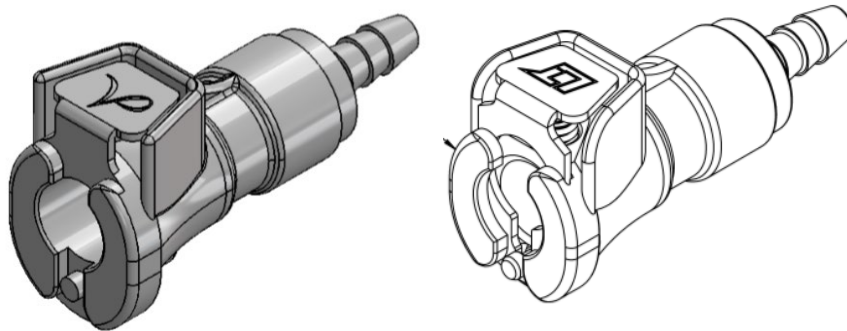
Subject: Customer notification letter regarding PQC Series obsolescence/replacement

Parts Affected: Nordson MEDICAL part numbers starting with PQC

Dear Valued Customer,

You are receiving this notice because your company has purchased, or sampled, the parts referenced above from Nordson MEDICAL in the past 24 months. Nordson Medical will be obsoleting the PQC Series quick connect parts and replacing them with equivalent 20 Series LinkTech quick connects. The overall form, fit, and function of these parts do not change. The only change is that the latch on the female quick connects currently displays the VP logo and will be replaced with a latch with the LT logo.

Below are images of the PQC part with VP logo (left) and 20 Series part with LT logo (right).



LT samples are available for your verification and this product will experience a rolling change with traceability through lot numbers. The old configuration will not be available after inventory depletion.

Table below lists PQC part numbers and equivalent LinkTech quick connect part numbers. Please use this reference to order your next batch of parts.

PQC Part number	LinkTech Part Number
PQCF18-AC-001	20AC-S1-02
PQCF14-AC-001	20AC-S1-04
PQCF3230-AC-001	20AC-S2-02
PQCF3260-AC-001	20AC-S2-04
PQCBF3230-AC-001	20AC-S3-02



Nordson MEDICAL
 805 West 71st Street
 Loveland, CO 80538, USA

+1.888.404.5837
 +1.970.267.5200
 nordsonmedical.com

PQCBF3260-AC-001	20AC-S3-04
PQCVF18-AC-001	20ACV-SB1-02
PQCVF14-AC-001	20ACV-SB1-04
PQCVF3230-AC-001	20ACV-SB2-02
PQCVF3260-AC-001	20ACV-SB2-04
PQCVBF3230-AC-001	20ACV-SB3-02
PQCVBF3260-AC-001	20ACV-SB3-04
PQCM18-AC-001	20AC-PB1-02
PQCM14-AC-001	20AC-PB1-04
PQCM3230-AC-001	20AC-PB2-02
PQCM3260-AC-001	20AC-PB2-04
PQCBM3230-AC-001	20AC-PB3-02
PQCBM3260-AC-001	20AC-PB3-04
PQCLM3230-AC-001	20AC-PB4-02
PQCLM3260-AC-001	20AC-PB4-04
PQCVM18-AC-001	20ACV-PB1-02
PQCVM14-AC-001	20ACV-PB1-04
PQCVM3230-AC-001	20ACV-PB2-02
PQCVM3260-AC-001	20ACV-PB2-04
PQCVBM3230-AC-001	20ACV-PB3-02
PQCVBM3260-AC-001	20ACV-PB3-04
PQCVLM3230-AC-001	20ACV-PB4-02
PQCVLM3260-AC-001	20ACV-PB4-04
PQCF18-PP-001	20PP-S1-02MALD
PQCF14-PP-001	20PP-S1-04MALD
PQCF18-PP-002	20PP-S1-02
PQCF14-PP-002	20PP-S1-04
PQCF3230-PP-001	20PP-S2-02MALD
PQCF3260-PP-001	20PP-S2-04MALD
PQCF3230-PP-002	20PP-S2-02
PQCF3260-PP-002	20PP-S2-04
PQCBF3230-PP-001	20PP-S3-02MALD
PQCBF3260-PP-001	20PP-S3-04MALD
PQCBF3230-PP-002	20PP-S3-02
PQCBF3260-PP-002	20PP-S3-04
PQCVF18-PP-001	20PPV-SE1-02MALD
PQCVF14-PP-001	20PPV-SE1-04MALD
PQCVF18-PP-002	20PPV-SE1-02
PQCVF14-PP-002	20PPV-SE1-04
PQCVF3230-PP-001	20PPV-SE2-02MALD
PQCVF3260-PP-001	20PPV-SE2-04MALD
PQCVF3230-PP-002	20PPV-SE2-02



Nordson MEDICAL
805 West 71st Street
Loveland, CO 80538, USA

+1.888.404.5837
+1.970.267.5200
nordsonmedical.com

PQCVF3260-PP-002	20PPV-SE2-04
PQCVBF3230-PP-001	20PPV-SE3-02MALD
PQCVBF3260-PP-001	20PPV-SE3-04MALD
PQCVBF3230-PP-002	20PPV-SE3-02
PQCVBF3260-PP-002	20PPV-SE3-04
PQCM18-PP-001	20PPX-PE1-02MALD
PQCM18-PP-002	20PPX-PE1-02
PQCM3230-PP-001	20PP-PE2-02MALD
PQCM3260-PP-001	20PP-PE2-04MALD
PQCM3230-PP-002	20PP-PE2-02
PQCM3260-PP-002	20PP-PE2-04
PQCLM3230-PP-001	20PPX-PE4-02MALD
PQCLM3260-PP-001	20PPX-PE4-04MALD
PQCLM3230-PP-002	20PPX-PE4-02
PQCLM3260-PP-002	20PPX-PE4-04
PQCVM18-PP-001	20PPV-PE1-02MALD
PQCVM18-PP-002	20PPV-PE1-02
PQCVM3230-PP-001	20PPV-PE2-02MALD
PQCVM3260-PP-001	20PPV-PE2-04MALD
PQCVM3230-PP-002	20PPV-PE2-02
PQCVM3260-PP-002	20PPV-PE2-04
PQCVLM3230-PP-001	20PPV-PE4-02MALD
PQCVLM3260-PP-001	20PPV-PE4-04MALD
PQCVLM3230-PP-002	20PPV-PE4-02
PQCVLM3260-PP-002	20PPV-PE4-04
PQCVBF3230-AC-002	20ACV-SB3-02NN

Please contact Nordson MEDICAL customer service with any questions related to this change at (888) 404-5837 or sales@nordsonmedical.com. We appreciate your business and hope that this change will have no effect on the end product in which it is used.

Sincerely,

Ravi Narayanan
Global Product Manager
Nordson Medical