

Product Change Notification

Product Change #: **258 Affecting 'Elbow Fitting' L420 in all materials**

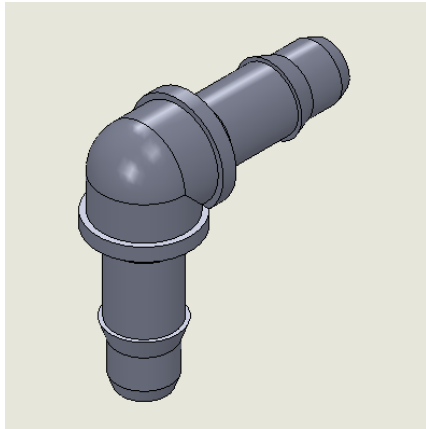
Posting Date: **November 11, 2014**

Description of Change:

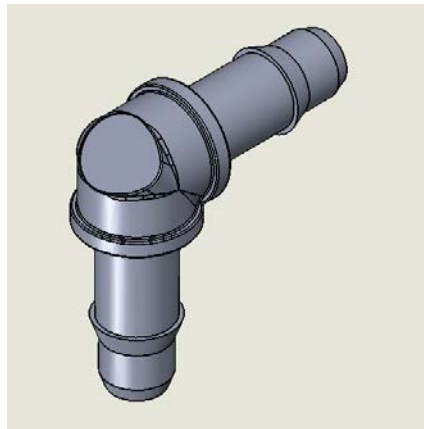
Adding a flat to the exterior elbow surface and draft to ID.

There will be no change to the current part numbers, or materials.

Current L420:



L420 with flat added:



Reason:

This change was necessary to allow for the automatic de-gating of the part in the manufacturing process to improve product quality.

Parts Affected:

L420-1, White Nylon
L420-2, Black Nylon
L420-6005, Animal-Free Natural Polypropylene
L420-J1A, Natural Kynar PVDF

Effective Date: **January 16, 2015**



Nordson MEDICAL
3325 South Timberline Road
Fort Collins, CO 80525, USA

+1.888.404.5837
+1.970.267.5200
nordsonmedical.com

Implementation Procedure:
Implementation will be a running change with no scrap planned.