

Product Change Notification

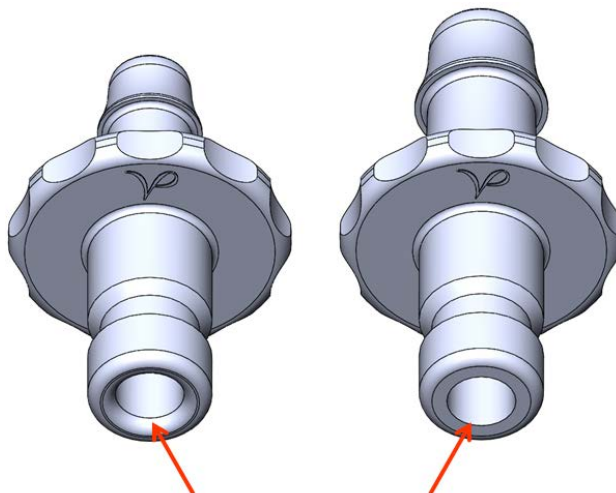
Product Change #: **301**

Posting Date: **April 1, 2015**

Description of Change: The BPM male bayonet connector is being updated to conform to the upcoming ISO 80369-5 standard. This requires removal of the lead-in radius on the seal post.

Before

After



Remove .020" I.D. radius and make sharp.

Reason: The BPM male bayonet connector is being updated to conform to the upcoming ISO80369-5 standard. To learn more about ISO80369 (an initiative by a joint working group established by the ISO and International Electrotechnical Commission) standards and its objective of preventing misconnections in health care settings, please visit

http://www.nordsonmedical.com/products/iso_80369.aspx



Nordson MEDICAL
3325 South Timberline Road
Fort Collins, CO 80525, USA

+1.888.404.5837
+1.970.267.5200
nordsonmedical.com

Parts Affected: **BPM013-1, BPM025-1, BPM035-1, BPM220-8003, BPM240-1**

Effective Date: **June 1st, 2015**

Implementation procedure and inventory value of any scrap:

Update: 7/24/15: See below for FAIR SO's/Lot numbers and dates. Subsequent shop orders and dates will be 80369-5 compliant parts.

P/N	FAIR Shop Order/Lot Number	FAIR confirmed date
BPM013-1	69311	7/6/15
BPM025-1	69630	6/30/15
BPM035-1	69310	7/2/15
BPM240-1	69312	7/2/15