

Product Change Notification

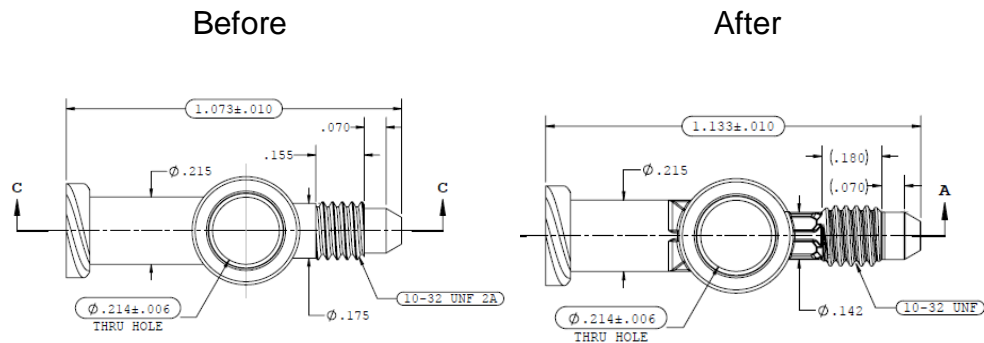
Product Change #: **PCN304**

Posting Date: **August 12, 2015**

Description of Change:

Stopcocks FCA018-001 and FCA021-001 are going through a product change. The change affects the stopcock body, the overall length of the stopcocks and the outlet post threads. Please see below for further change details and comparative images.

The overall length of the stopcock is increased by another 0.060", while the threads are slightly modified to suit molding out of plastics materials. The stopcock body is also being cored out at the inlet and outlet posts to reduce the wall thicknesses.



The above images are not to scale. Product samples will be available soon for customer validation. Part numbers and raw materials of end product will not change.

Reason:

In order to improve manufacturability and quality of the products. The changes are required to eliminate the molding sinks in the inner diameter (ID) of the stopcock body. The change is implemented with the FCA021-001 SKU as well since they both share the same stopcock body.

Parts Affected:

FCA018-001 and FCA021-001

Effective Date: Immediate



Nordson MEDICAL
3325 South Timberline Road
Fort Collins, CO 80525, USA

+1.888.404.5837
+1.970.267.5200
nordsonmedical.com

Implementation Procedure:

Quarantine inventory of FCA018-001. Complete tooling changes and build new FCA018-001 with modified CF928-CM049 bodies. Scrap current rev CF928-CM049 bodies after May 26th, 2015.