

Product Change Notification

Product Change #: **PCN309**

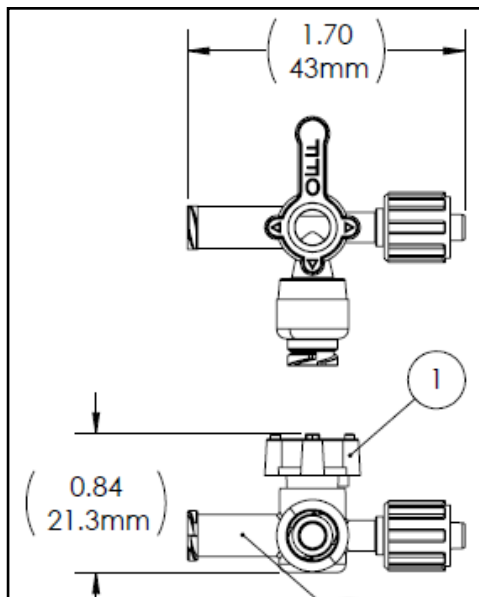
Posting Date: **July 16, 2015**

Description of Change:

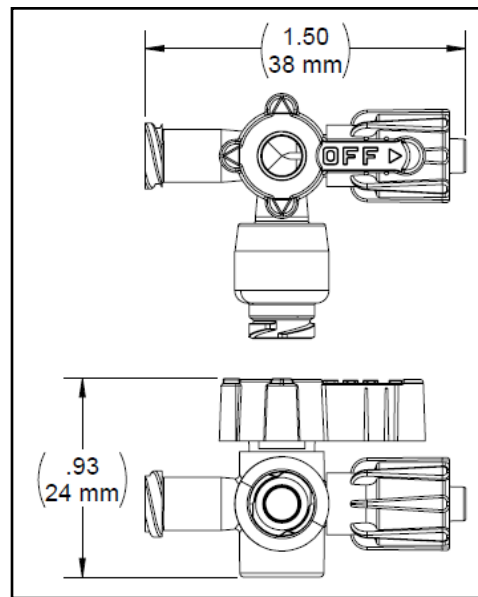
NVFSMLLPC, a Swabbable 4-way stopcock offered by Nordson Medical is going through a product change. The stopcock housing as assembled with the handle will be sourced from another supplier. This will result in minimal size changes to the product as depicted below. The material grade of the handle will also change to another grade of HDPE material, Marlex 9006.

However, the part number of the final product does not change and there are no differences in the functionality of the product. The new stopcock samples will be available by end of July 2015.

Before



After



Reason: Improved quality



Nordson MEDICAL
3325 South Timberline Road
Fort Collins, CO 80525, USA

+1.888.404.5837
+1.970.267.5200
nordsonmedical.com

Parts Affected: NVFSCMLLPC

Effective Date: July 30th, 2015

Implementation Procedure: Scrap existing inventory. Roll revisions on engineering and inventory parts.