

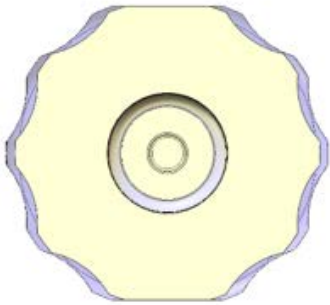
## Product Change Notification

Product Change #: 336

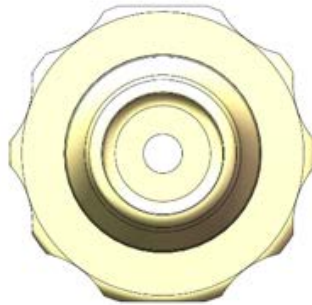
Posting Date: 06/21/2016

Description of Change: Change the current grip on the N070-013 to be elongated by .040". Added radial draft to grip.

*Drawing 1 – overlay*



*Drawing 2 – old grip*



*Drawing 3 – new grip*



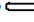
Reason: Currently the N070-013 is tab gated and a larger gate flat is needed in order to have a gate that will shear reliably in production.

Parts Affected: N070/013-6005, N070/013-9, N070/013-0, N070/013-J1A

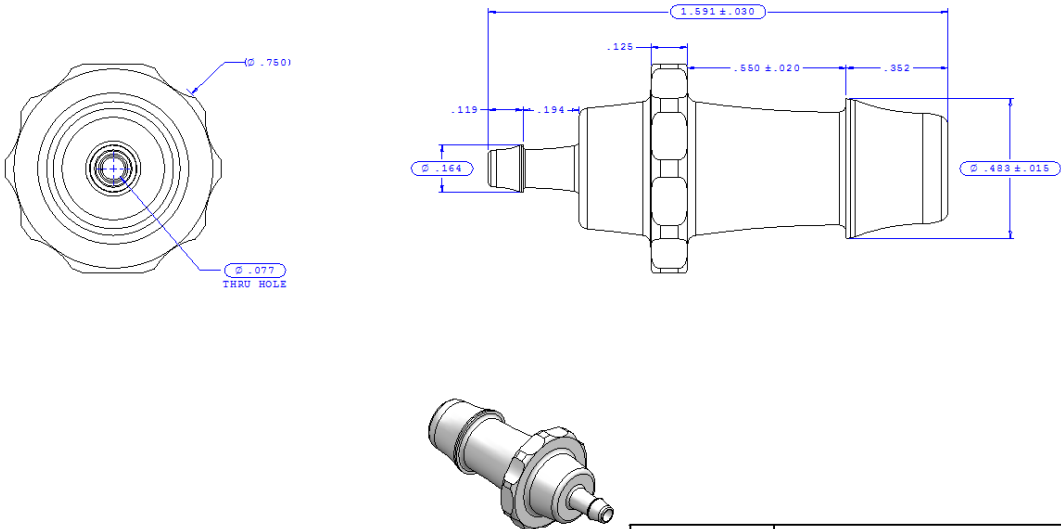
Effective Date: 60 days, running change

Implementation Procedure: Exhaust current inventory and replace with newest revision.

# N070/013 current

NOTES: FOR A MORE DETAILED DRAWING SEE V. P. TOOLING STANDARDS  
DIMENSIONS MARKED  ARE CONTROL DIMENSIONS

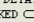
| REVISIONS |                        |          |          |
|-----------|------------------------|----------|----------|
| REV.      | DESCRIPTION            | DATE     | APPROVED |
| A         | INITIAL RELEASE        | 02-06-03 |          |
| B         | CO 039 Drafting Update | 04-12-06 | Rick C.  |



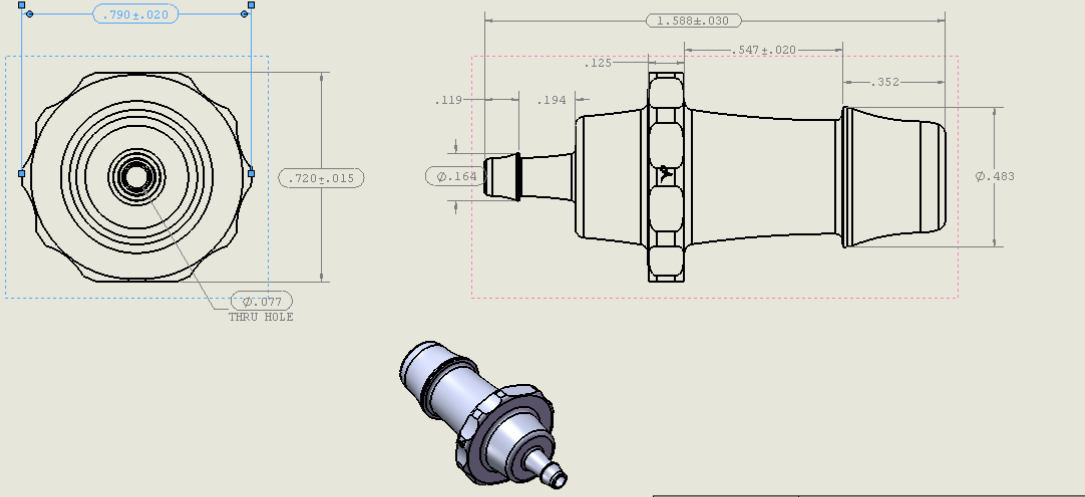
| Material Specific Tolerances |        |       |    |     |    |     |             |     |
|------------------------------|--------|-------|----|-----|----|-----|-------------|-----|
| Dimension                    | Acetal | Nylon | PP | ABS | PC | PVC | Polysulfone | J1A |
| A                            |        |       |    |     |    |     |             |     |
| B                            |        |       |    |     |    |     |             |     |
| C                            |        |       |    |     |    |     |             |     |
| D                            |        |       |    |     |    |     |             |     |
| E                            |        |       |    |     |    |     |             |     |
| F                            |        |       |    |     |    |     |             |     |

|   |          |   |  |
|---|----------|---|--|
| UNLESS OTHERWISE SPECIFIED DIMENSIONS ARE IN INCHES DECIMALS ONLY |          | <b>VALUE PLASTICS, INC.</b>               |  |
| FRAC TION   | DECIMAL  | ANGULAR                                   | PART NUMBER: N070/013                                  |
| 1/16  | 0.0625   | 1/2                                       | TOLERANCES:  |
| 1/32  | 0.03125  | 3/4                                       | POSITION: Through Reduction Connector with 3/32 Female |
| 1/64  | 0.015625 | 1   | Size: 3/8" (9.5 mm) and 1/2" (12.7 mm) ID Taps         |
| DO NOT SCALE DRAWING  |          |   |  |
| DRAWN BY: Frank Lombardi 02-14-06                                 | DATE:    | SIZE: B                                   | SCALE: NTS   |
| DESIGNED BY: Rick Cairns  |          | DRWING NUMBER: 1008286                    | REV: B   |
|   |          | © 2006 VALUE PLASTICS, INC. SHEET: 1 OF 1 |  |

# N070/013 with updated grip

NOTES: FOR ADDITIONAL DETAILS, PLEASE CONTACT VP NEW PRODUCT DEVELOPMENT  
DIMENSIONS MARKED  ARE CONTROL DIMENSIONS

| REVISIONS |                        |          |          |
|-----------|------------------------|----------|----------|
| REV.      | DESCRIPTION            | DATE     | APPROVED |
| A         | INITIAL RELEASE        | 01-06-03 |          |
| B         | CO 039 Drafting Update | 04-12-06 | Rick C.  |
| C2        | ECO 208                | 11-16-11 | Rick C.  |



| Material Specific Tolerances |        |       |    |     |    |     |             |       |
|------------------------------|--------|-------|----|-----|----|-----|-------------|-------|
| Dimension                    | Acetal | Nylon | PP | ABS | PC | PVC | Polysulfone | Kynar |
| A                            |        |       |    |     |    |     |             |       |
| B                            |        |       |    |     |    |     |             |       |
| C                            |        |       |    |     |    |     |             |       |
| D                            |        |       |    |     |    |     |             |       |
| E                            |        |       |    |     |    |     |             |       |
| F                            |        |       |    |     |    |     |             |       |

|   |                 |   |   |
|---|-----------------|---|---|
| UNLESS OTHERWISE SPECIFIED DIMENSIONS ARE IN INCHES DECIMALS ONLY |                 | <b>VALUE PLASTICS, INC.</b>               |   |
| FRAC TION   | DECIMAL         | ANGULAR                                   | PART NUMBER: N070-013                                 |
| 1/16  | 0.0625          | 1/2                                       | TOLERANCES:   |
| 1/32  | 0.03125         | 3/4                                       | POSITION: Through Reduction Tube Fitting with 3/32    |
| 1/64  | 0.015625        | 1   | Female Size: 3/8" (9.5 mm) and 1/2" (12.7 mm) ID Taps |
| DO NOT SCALE DRAWING  |                 |   |   |
| DRAWN BY: Frank Lombardi  | DATE: 4/21/2016 | SIZE: B                                   | SCALE: NTS  |
| DESIGNED BY: RICKC  |                 | DRWING NUMBER: 1008286                    | REV: C4   |
|   |                 | © 2011 VALUE PLASTICS, INC. SHEET: 1 OF 1 |   |