

Product Change Notification

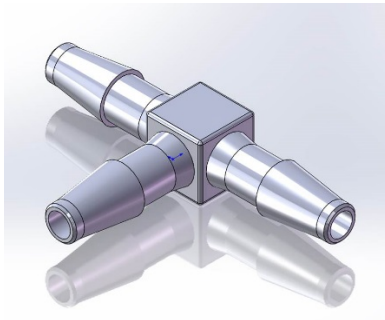
Product Change #: PCN357

Posting Date: *September 29, 2017*

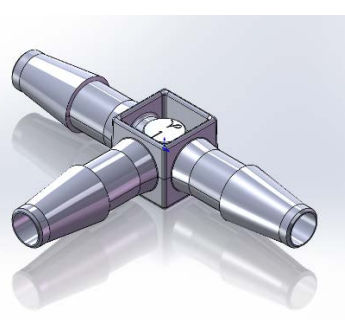
Description of Change: Minor modifications are being made to the T60 part design to make this part more easily manufactured. The new design has a cored out center section to avoid sink, however, the overall form, fit and function are not affected. The T60-9, polycarbonate material version of this part is being discontinued due to poor sales performance.

Part Design

Before



After



Reason: Changes needed to meet production growth.

Parts Affected: T60-1, T60-6005, T60-9 and T60-J1A

Effective Date: Samples of the new part design will be available starting March 2018.



Nordson MEDICAL
805 West 71st Street
Loveland, CO 80538, USA

+1.888.404.5837
+1.970.267.5200
nordsonmedical.com

Implementation Procedure: Samples to be available starting March 2018. T60-9 to be discontinued due to poor sales performance. The older configuration will not be available after inventory depletion. Customers are requested to contact their Nordson MEDICAL sales representative to place orders in advance to secure supply until the new version is available.