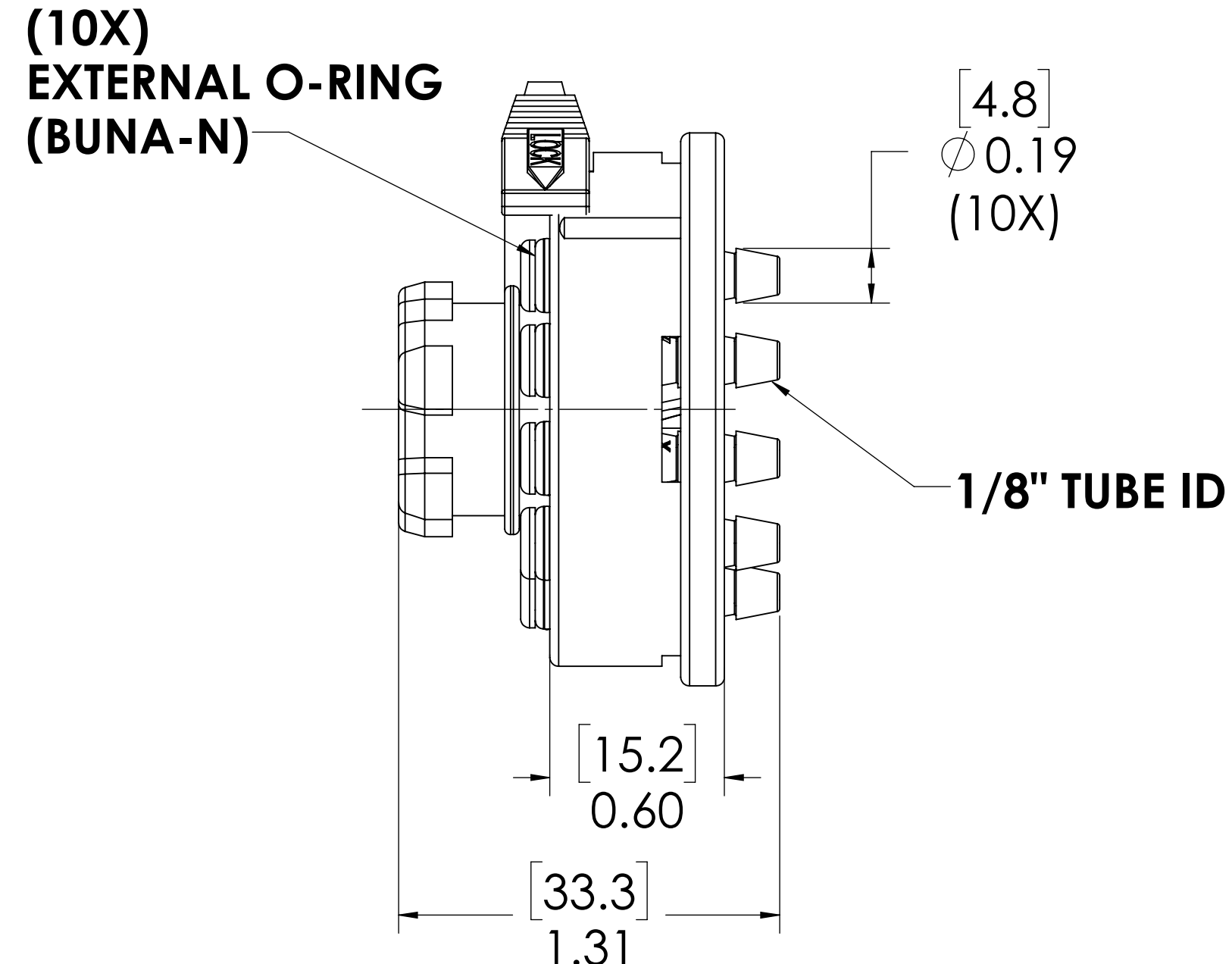
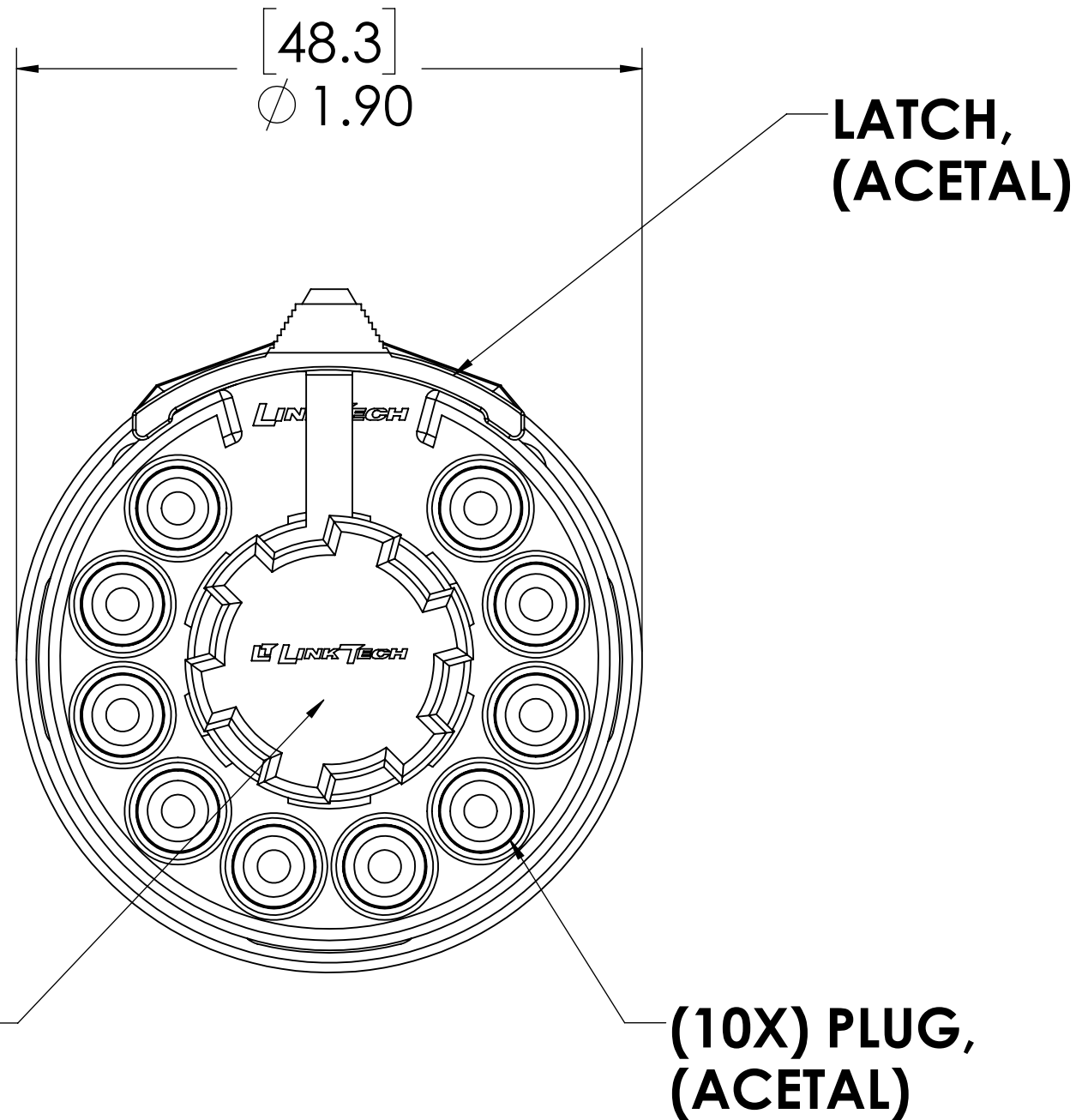
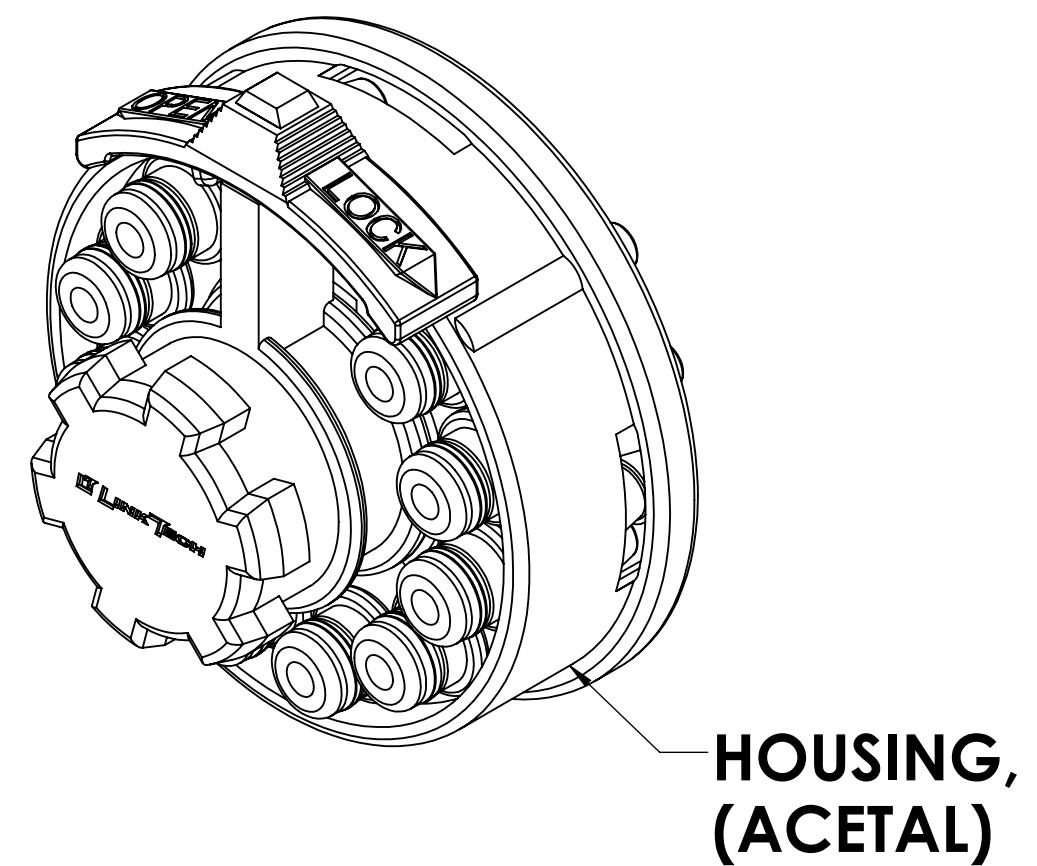


REVISIONS						
SHEET	ZONE	REV.	ECO	DESCRIPTION	DATE	APPROVED
1	ALL	A	50253	2017 FORMAT UPDATE	10/17/2017	HRC



- NOTES:**
- MATERIAL: ACETAL
 - COLOR: NATURAL WHITE
 - O-RING MATERIAL: BUNA-N
 - O-RINGS LUBRICATED WITH FOOD GRADE SILICONE OIL, 350 CST.

FOR REFERENCE ONLY

<small>UNLESS OTHERWISE SPECIFIED: DIMENSIONS ARE IN INCHES TOLERANCES: FRACTIONAL ± 1/32 ANGULAR: MACH ± 0.5 BEND ± 2 ONE PLACE DECIMAL ± 0.1 TWO PLACE DECIMAL ± 0.01 THREE PLACE DECIMAL ± 0.005 TWO PLACE DECIMAL (mm) [± 0.12]</small>	DRAWN	RDA	10/9/2017	
	CHECKED	HRC	10/9/2017	
	ENG APPR.	HRC	10/17/2017	
	MFG APPR.	BDB	10/17/2017	
<small>PROPRIETARY AND CONFIDENTIAL THE INFORMATION CONTAINED IN THIS DRAWING IS THE SOLE PROPERTY OF LINKTECH LLC. ANY REPRODUCTION OR DISCLOSURE IN PART OR AS A WHOLE WITHOUT THE WRITTEN PERMISSION OF LINKTECH LLC IS STRICTLY PROHIBITED.</small>	Q.A.	JJB	10/17/2017	PART NO: 100AC-PB2-02 DESCRIPTION: LinkTech 100AC Series Straight Male, Non-valved, 125 HB, Acetal SIZE DWG. NO. REV C100AC100129 A
SCALE: NTS		WEIGHT:	SHEET 1 OF 1	