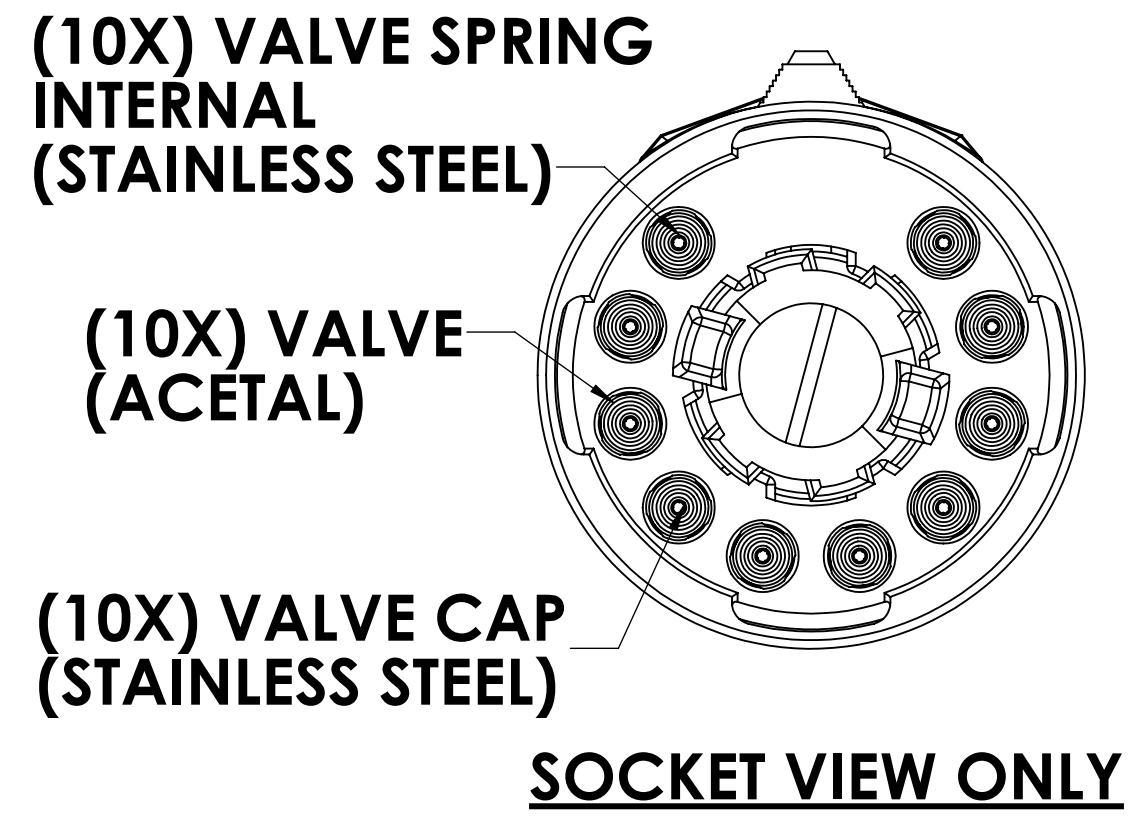
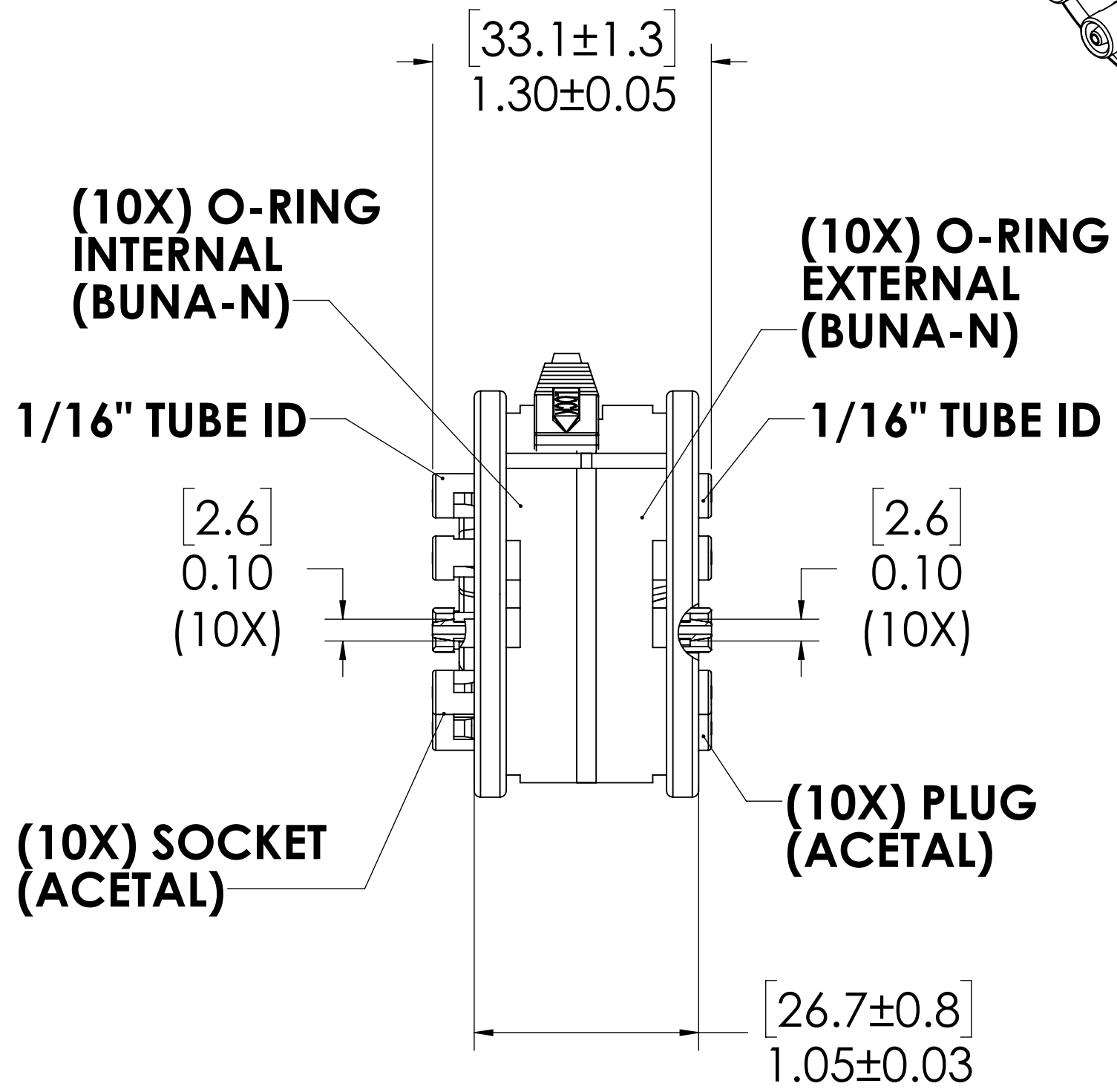
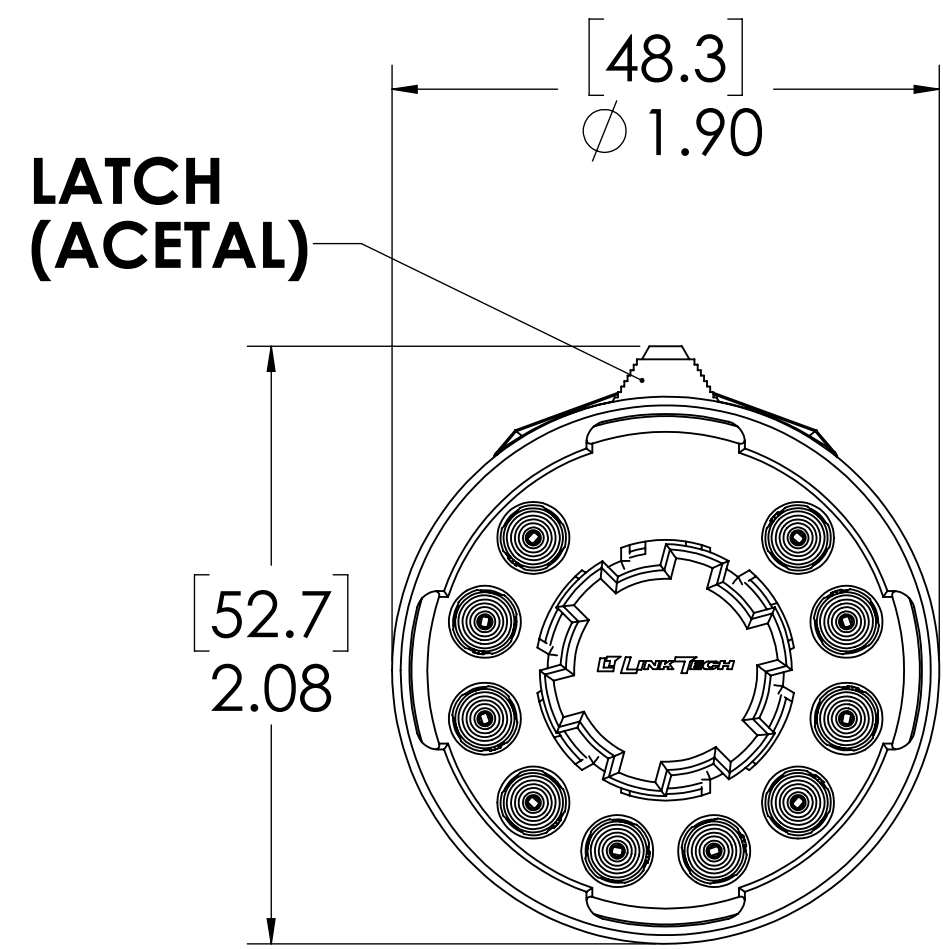
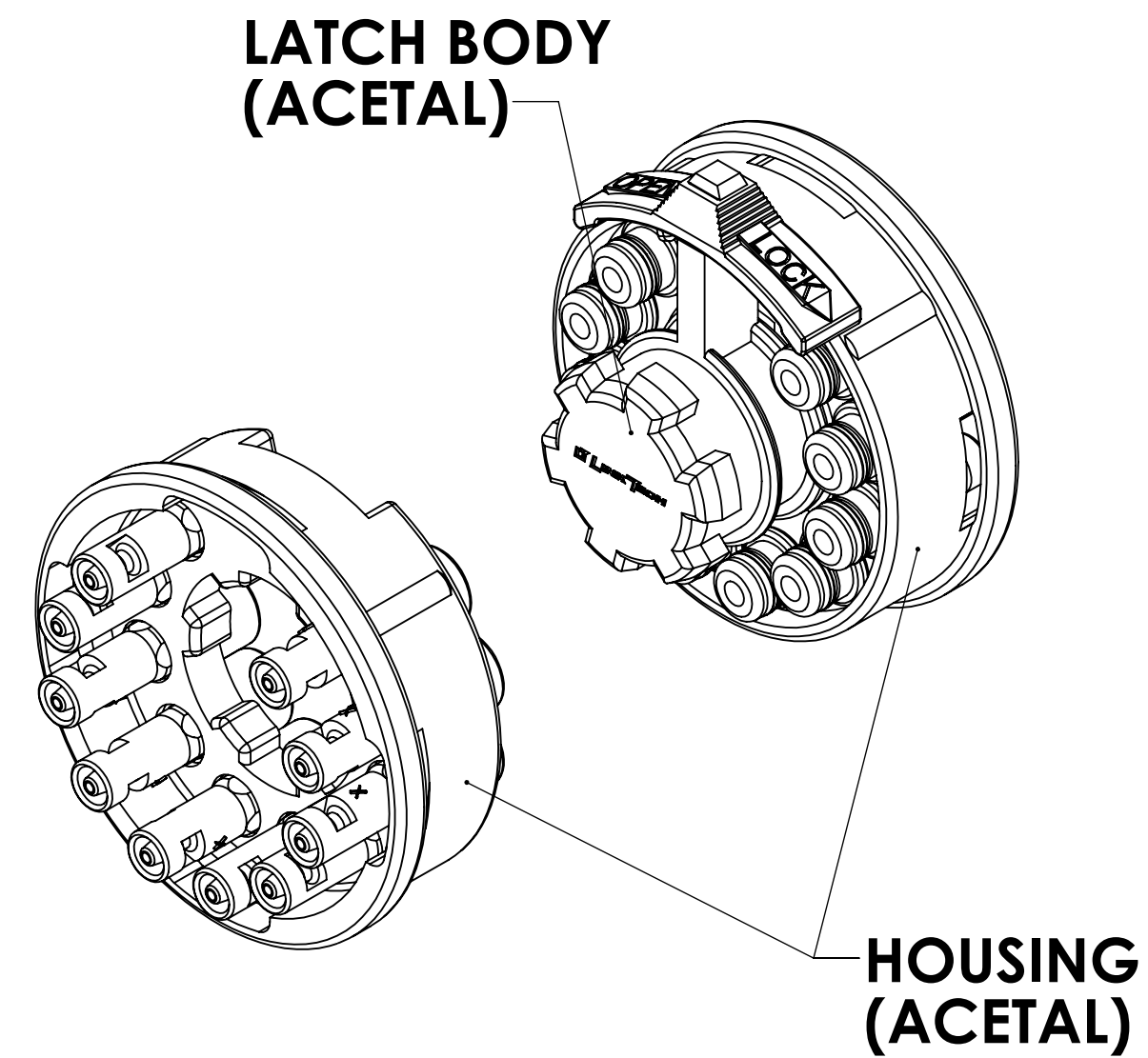



| REVISIONS |      |      |       |  |            |          |
|-----------|------|------|-------|--|------------|----------|
| SHEET     | ZONE | REV. | ECO   | DESCRIPTION                              | DATE       | APPROVED |
| 1         | ALL  | A    | 50253 | UPDATE DWG TO CURRENT FORMAT & STANDARDS | 10/30/2018 | HRC      |



- NOTES:**
- MATERIAL: ACETAL
  - COLOR: BLACK
  - O-RING MATERIAL: BUNA-N
  - O-RINGS LUBRICATED WITH FOOD GRADE SILICONE OIL, 350 CST.

**FOR REFERENCE ONLY**

| UNLESS OTHERWISE SPECIFIED:  |                    | NAME       | DATE | <br><b>PART NO: 100ACV2-01</b> |
|--|--------------------|------------|------|---|
| DIMENSIONS ARE IN INCHES<br>TOLERANCES:<br>FRACTIONAL ± 1/32<br>ANGULAR: MACH ± 0.5 BEND ± 2<br>ONE PLACE DECIMAL ± 0.1<br>TWO PLACE DECIMAL ± 0.01<br>THREE PLACE DECIMAL ± 0.005<br>TWO PLACE DUAL (mm) [± 0.12]                                     |                    | DRAWN      | ER   |   |
| <b>PROPRIETARY AND CONFIDENTIAL</b><br><br>THE INFORMATION CONTAINED IN THIS DRAWING IS THE SOLE PROPERTY OF LINKTECH LLC. ANY REPRODUCTION OR DISCLOSURE IN PART OR AS A WHOLE WITHOUT THE WRITTEN PERMISSION OF LINKTECH LLC IS STRICTLY PROHIBITED. |                    | CHECKED    | HRC  | 11/02/17  |
|  |                    | ENG APPR.  | HRC  | 10/30/18  |
|  |                    | MFG APPR.  | BDB  | 10/30/18  |
|  |                    | PRODUCTION | LS   | 10/30/18  |
|  |                    | COMMENTS:  |      | DESCRIPTION:<br><b>LinkTech 100AC Series Straight Coupling, Valved, 1/16" HB</b>                                    |
| SIZE   | DWG. NO.           | REV        |      |   |
| <b>C</b>   | <b>100AC100141</b> | <b>A</b>   |      |   |
| SCALE: NTS   | WEIGHT:            |            |      | SHEET 1 OF 1  |