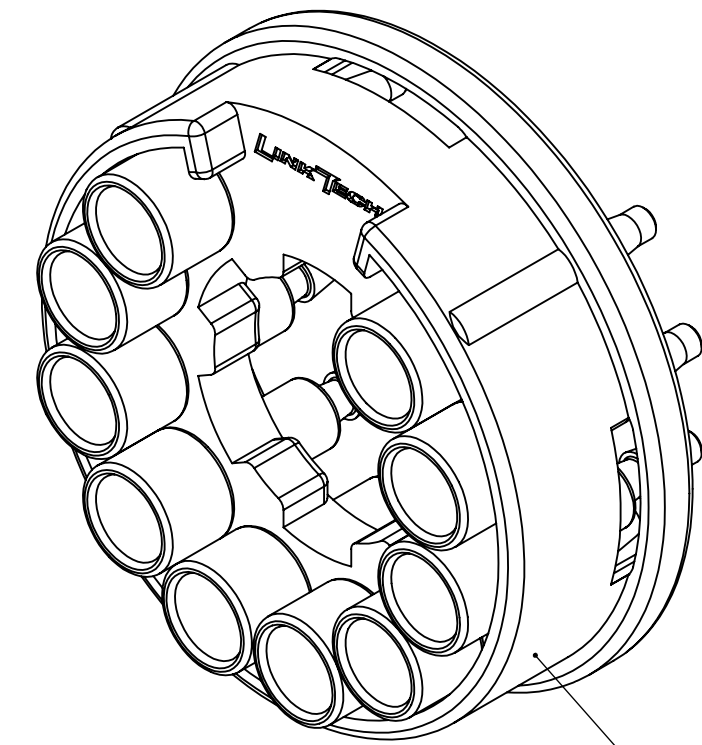
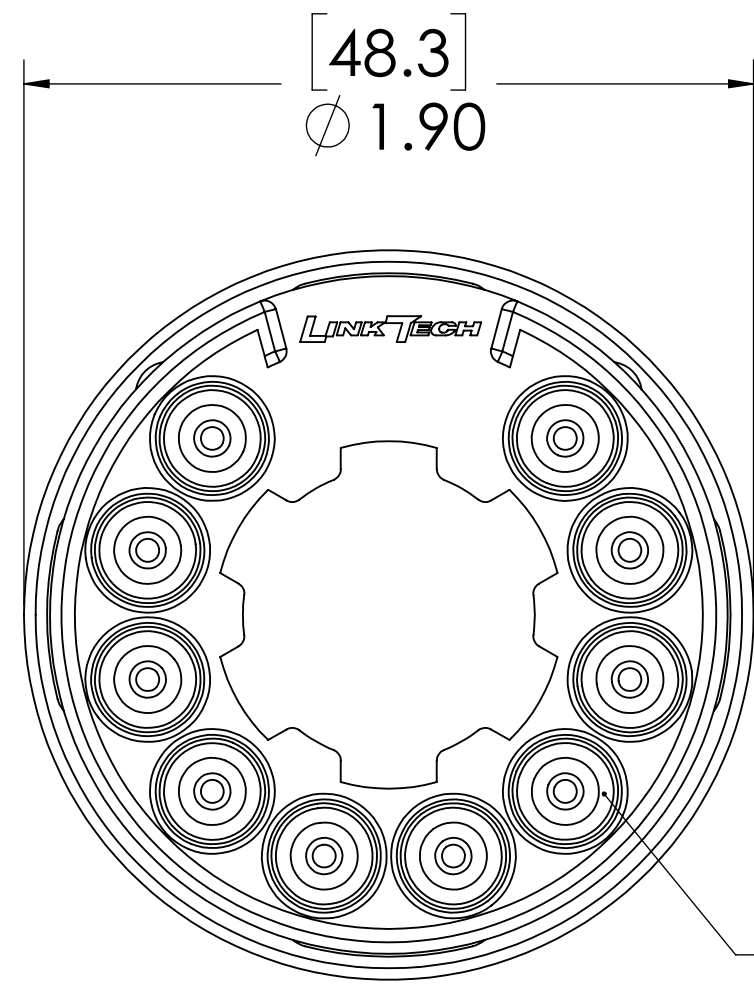


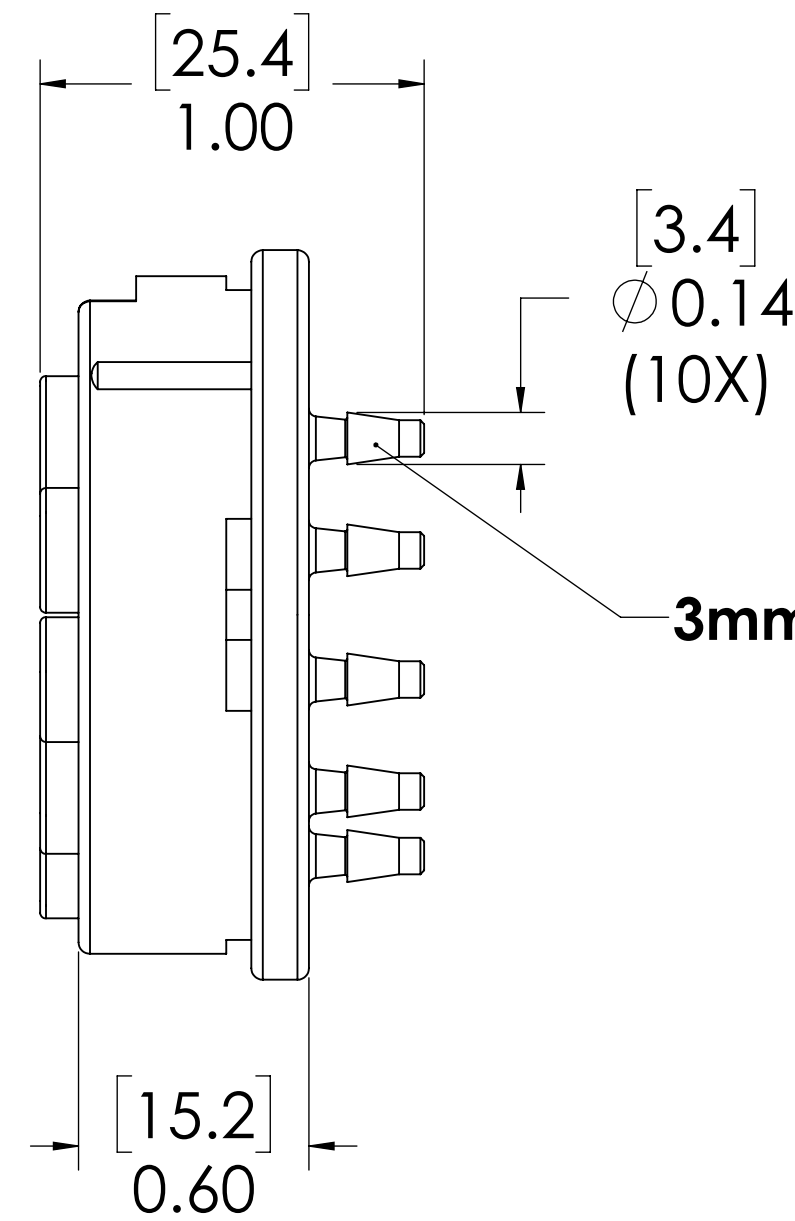
REVISIONS						
SHEET	ZONE	REV.	ECO	DESCRIPTION	DATE	APPROVED
ALL	ALL	A	50311	UPDATE DWG TO CURRENT FORMAT & STANDARDS	1/17/2020	CKE



**HOUSING,
(ACETAL)**



**(10X) SOCKET,
(POLYPROPYLENE)**



3mm TUBE ID

NOTES:

1. MATERIAL: POLYPROPYLENE
2. COLOR: HOUSING-BLACK; SOCKET INSERT-ALMOND

FOR REFERENCE ONLY

<small>UNLESS OTHERWISE SPECIFIED: DIMENSIONS ARE IN INCHES TOLERANCES: FRACTIONAL ± 1/32 ANGULAR: MACH ± 0.5 BEND ± 2 ONE PLACE DECIMAL ± 0.1 TWO PLACE DECIMAL ± 0.01 THREE PLACE DECIMAL ± 0.005 TWO PLACE DUAL (mm) [± 0.12]</small>	DRAWN	ER	11/07/17	
	CHECKED	CKE	1/2/20	
	ENG APPR.	HRC	1/17/20	
	MFG APPR.	BDB	1/17/20	
PROPRIETARY AND CONFIDENTIAL	Q.A.	LS	1/17/20	PART NO: 100PP-S2-M3 DESCRIPTION: LinkTech 100PP Series Straight Female, Non-valved, 3mm HB, Polypropylene
<small>THE INFORMATION CONTAINED IN THIS DRAWING IS THE SOLE PROPERTY OF LINKTECH LLC. ANY REPRODUCTION OR DISCLOSURE IN PART OR AS A WHOLE WITHOUT THE WRITTEN PERMISSION OF LINKTECH LLC IS STRICTLY PROHIBITED.</small>	COMMENTS:		SIZE DWG. NO. REV C 100PP100021 A	
	SCALE: NTS	WEIGHT:	SHEET 1 OF 1	