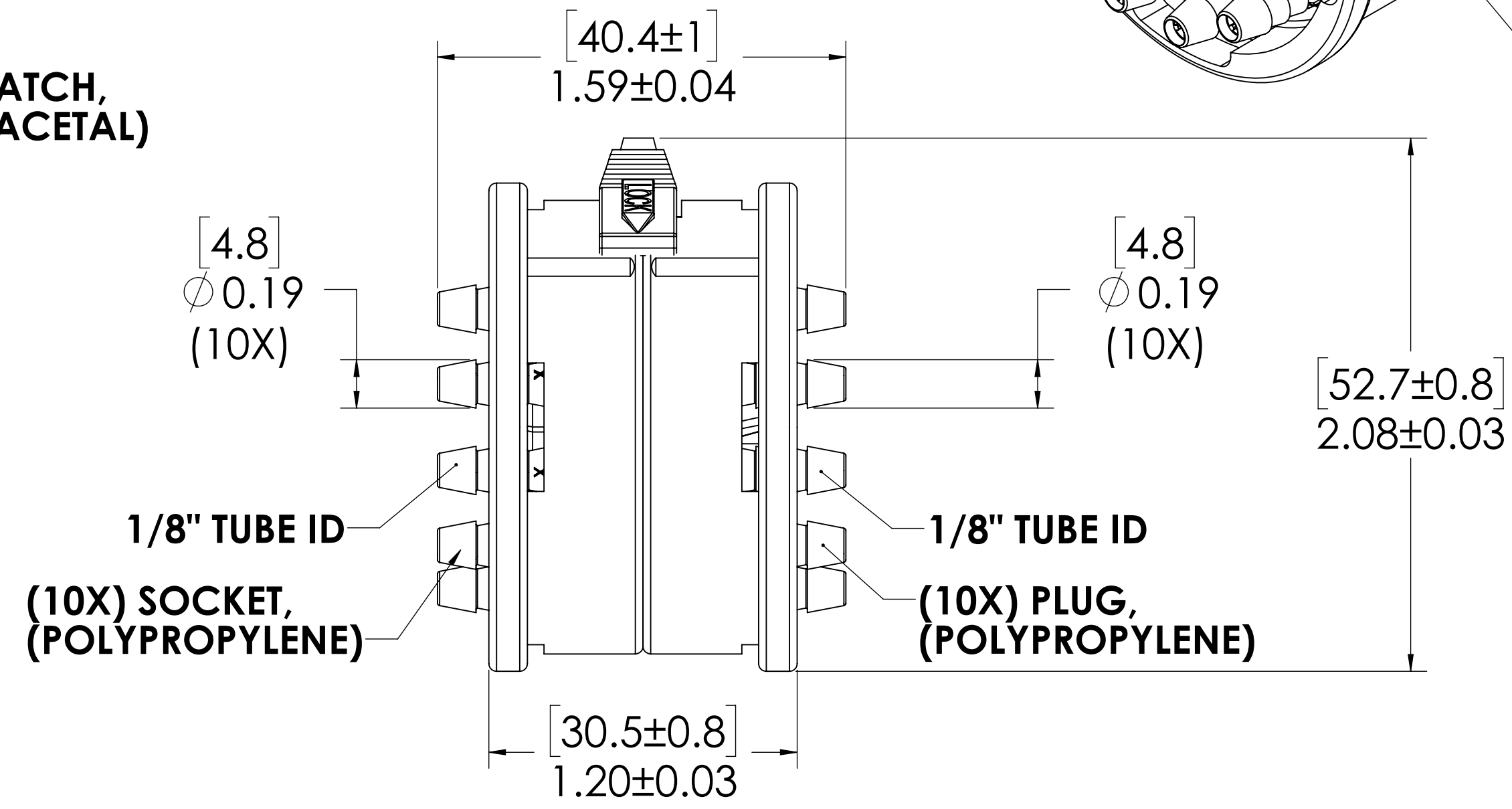
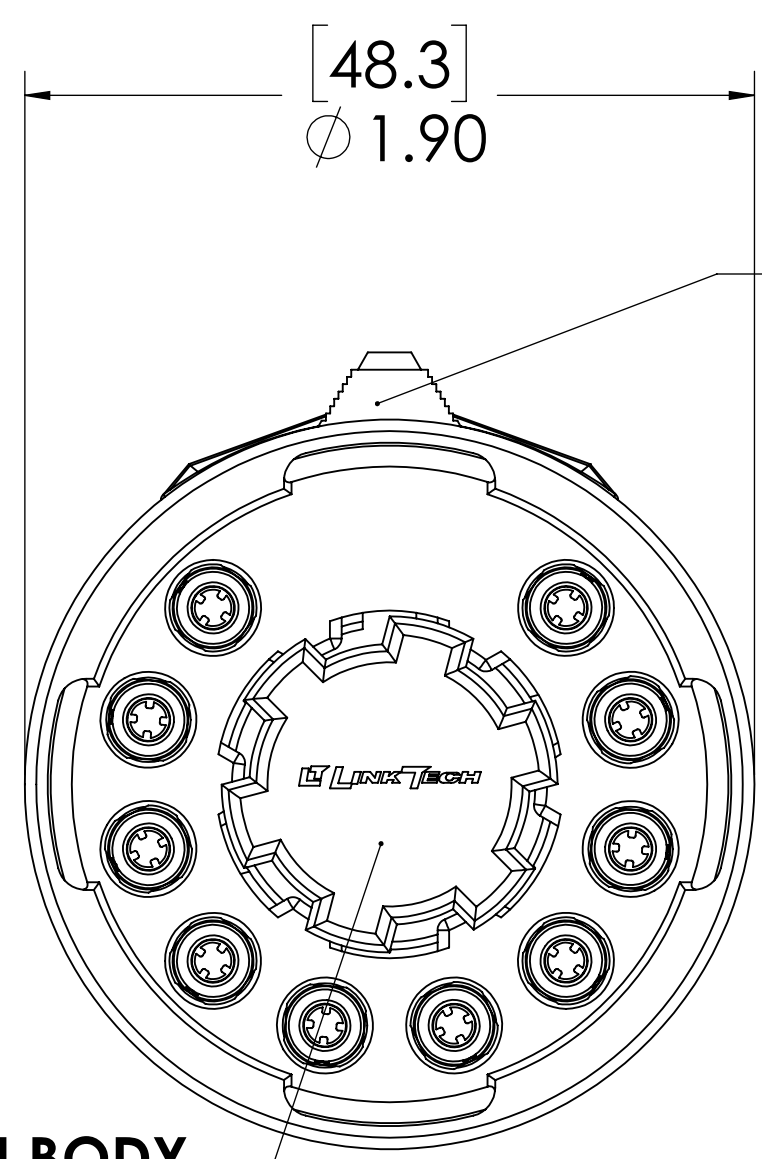
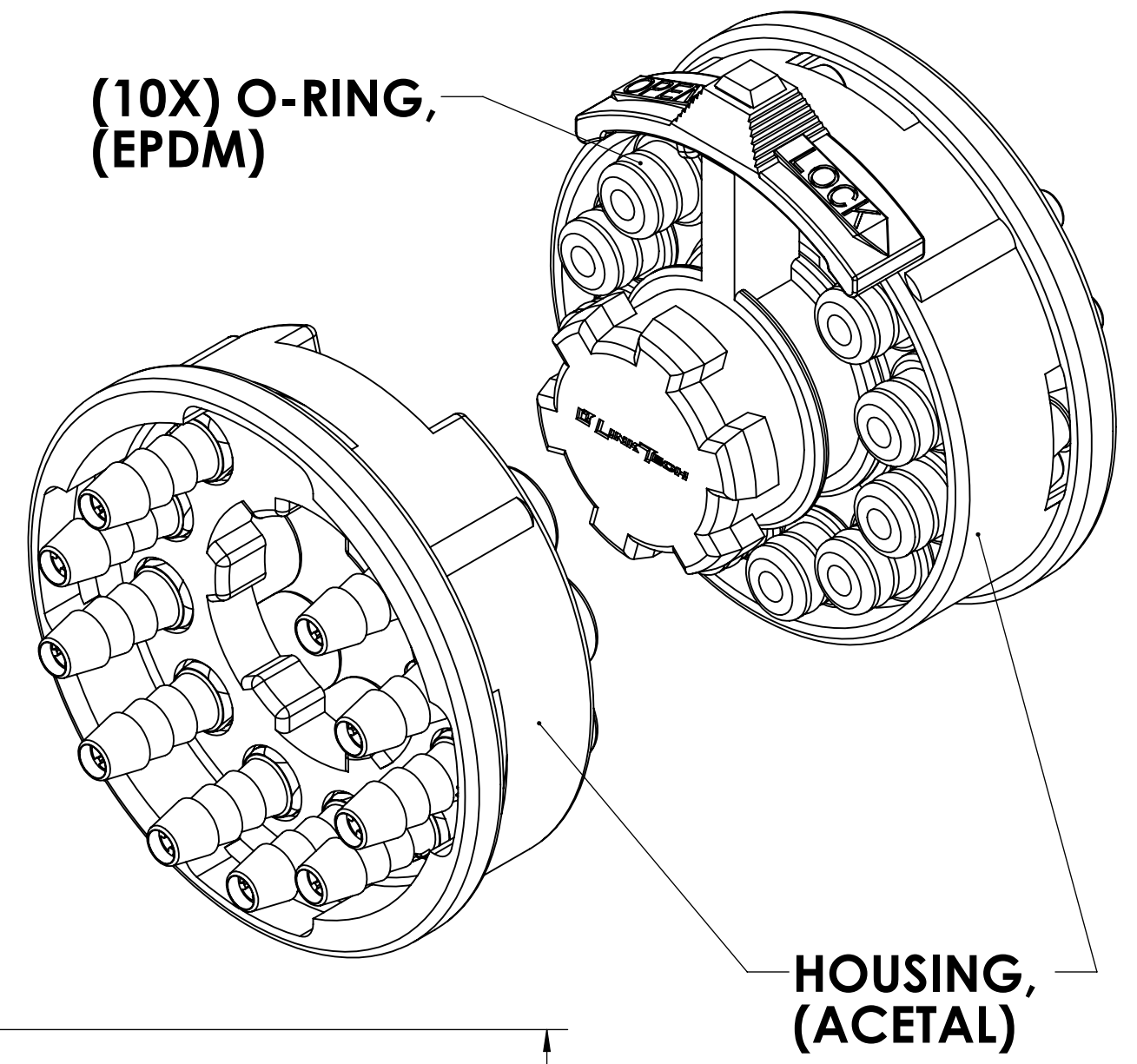


REVISIONS						
SHEET	ZONE	REV.	ECO	DESCRIPTION	DATE	APPROVED
ALL	ALL	A	50311	UPDATE DWG TO CURRENT FORMAT & STANDARDS	1/17/2020	CKE



- NOTES:**
- MATERIAL: POLYPROPYLENE
  - COLOR: HOUSING-BLACK; SOCKET INSERT-ALMOND
  - O-RING MATERIAL: EPDM
  - O-RINGS LUBRICATED WITH FOOD GRADE SILICONE OIL, 350 CST.

**FOR REFERENCE ONLY**

<small>UNLESS OTHERWISE SPECIFIED: DIMENSIONS ARE IN INCHES TOLERANCES: FRACTIONAL <math>\pm 1/32</math> ANGULAR: MACH <math>\pm 0.5</math> BEND <math>\pm 2</math> ONE PLACE DECIMAL <math>\pm 0.1</math> TWO PLACE DECIMAL <math>\pm 0.01</math> THREE PLACE DECIMAL <math>\pm 0.005</math> TWO PLACE DUAL (mm) <math>[\pm 0.12]</math></small>	DRAWN	ER	11/10/17	
	CHECKED	CKE	1/2/20	
	ENG APPR.	HRC	1/17/20	
	MFG APPR.	BDB	1/17/20	
<small>PROPRIETARY AND CONFIDENTIAL THE INFORMATION CONTAINED IN THIS DRAWING IS THE SOLE PROPERTY OF LINKTECH LLC. ANY REPRODUCTION OR DISCLOSURE IN PART OR AS A WHOLE WITHOUT THE WRITTEN PERMISSION OF LINKTECH LLC IS STRICTLY PROHIBITED.</small>	Q.A.	LS	1/17/20	<b>PART NO:</b> 100PP2-02  <b>DESCRIPTION:</b> <b>LinkTech 100PP Series Straight Coupling, Non-valved, 1/8" HB, Polypropylene</b>
	COMMENTS:			<b>SIZE DWG. NO.</b> <b>C 100PP100027</b>
				<b>REV</b> <b>A</b>
SCALE: NTS		WEIGHT:		SHEET 1 OF 1