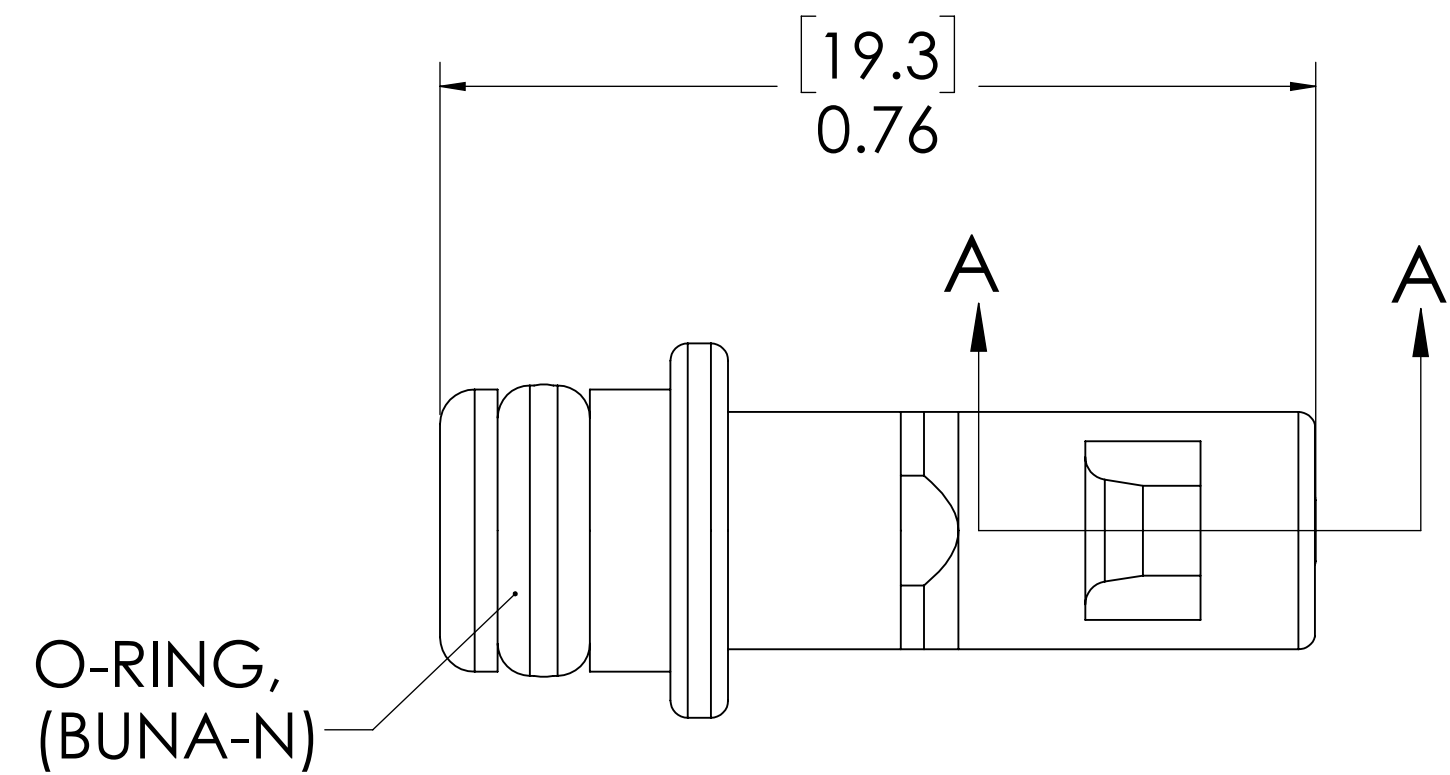
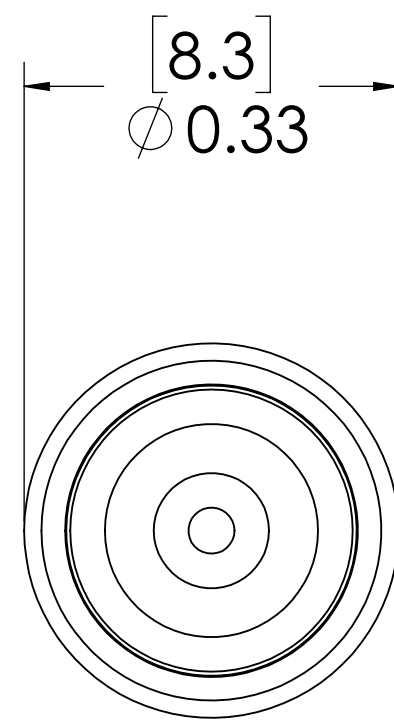
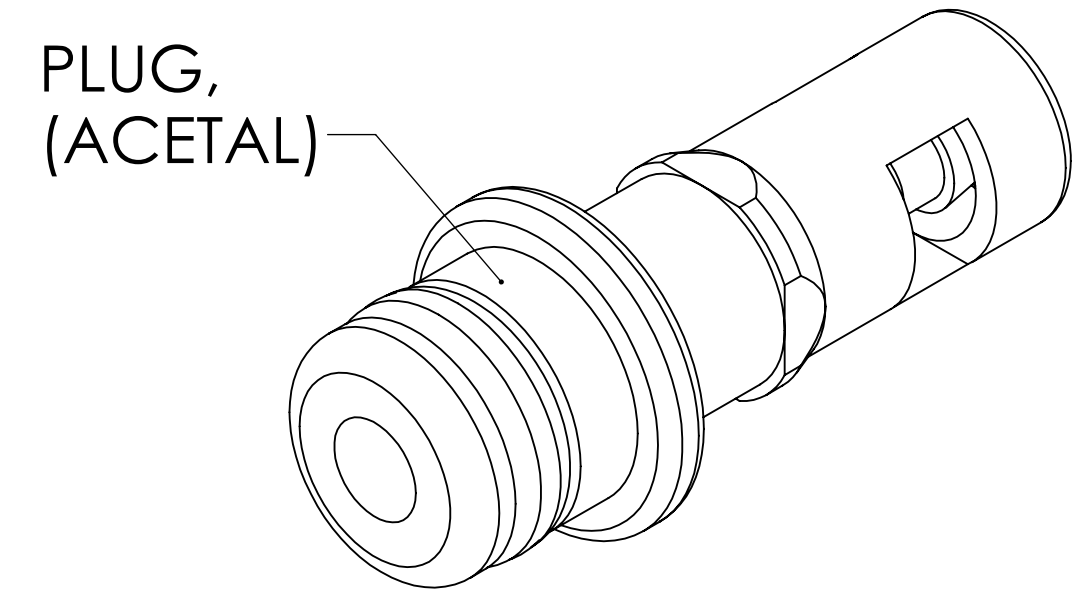
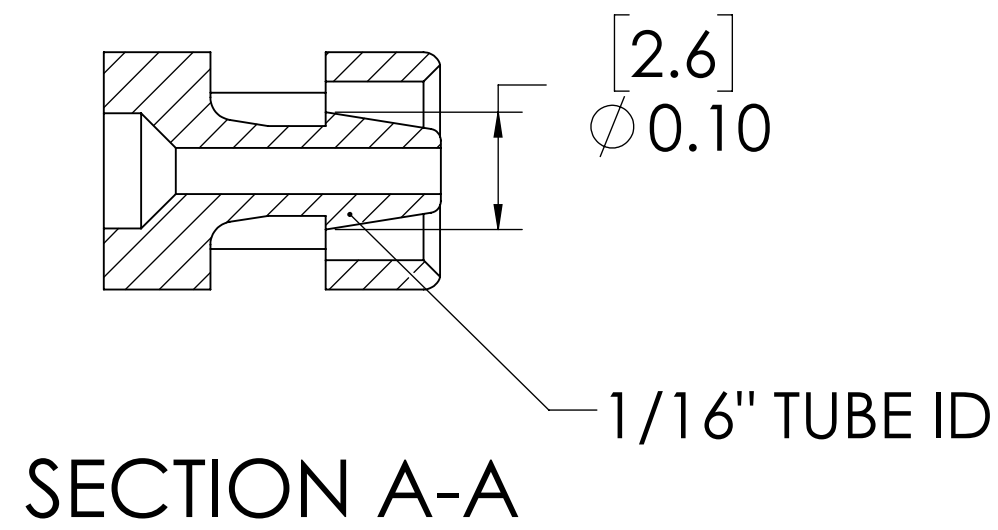


REVISIONS						
SHEET	ZONE	REV.	ECO	DESCRIPTION	DATE	APPROVED
1	ALL	NC	50047	INITIAL RELEASE	6/11/2013	HRC
1	ALL	A	50253	2017 FORMAT UPDATE	5/15/2018	HRC



NOTES:

1. MATERIAL: ACETAL
2. COLOR: NATURAL WHITE
3. O-RING MATERIAL: BUNA-N
4. O-RINGS LUBRICATED WITH FOOD GRADE SILICONE OIL, 350 CST.

FOR REFERENCE ONLY

<small>UNLESS OTHERWISE SPECIFIED: DIMENSIONS ARE IN INCHES TOLERANCES: FRACTIONAL ± 1/32 ANGULAR, MACH ± 0.5 BEND ± 2 ONE PLACE DECIMAL ± 0.1 TWO PLACE DECIMAL ± 0.01 THREE PLACE DECIMAL ± 0.005 TWO PLACE DUAL (mm) [± 0.12]</small>	DRAWN	HRC	6/04/13	
	CHECKED	HRC	6/04/13	
	ENG APPR.	HRC	5/15/18	
	MFG APPR.	BDB	5/15/18	
<small>PROPRIETARY AND CONFIDENTIAL THE INFORMATION CONTAINED IN THIS DRAWING IS THE SOLE PROPERTY OF LINKTECH LLC. ANY REPRODUCTION OR DISCLOSURE IN PART OR AS A WHOLE WITHOUT THE WRITTEN PERMISSION OF LINKTECH LLC IS STRICTLY PROHIBITED.</small>	PURCHASING	RK	5/15/18	PART NO: 10AC-PB2-01NS DESCRIPTION: LinkTech 10AC Series Straight Male, Non-valved, 1/16" HB, No Sleeve, Natural Acetal
<small>COMMENTS:</small>		SIZE DWG. NO. REV C 10AC100051 A	SCALE: NTS WEIGHT: SHEET 1 OF 1	