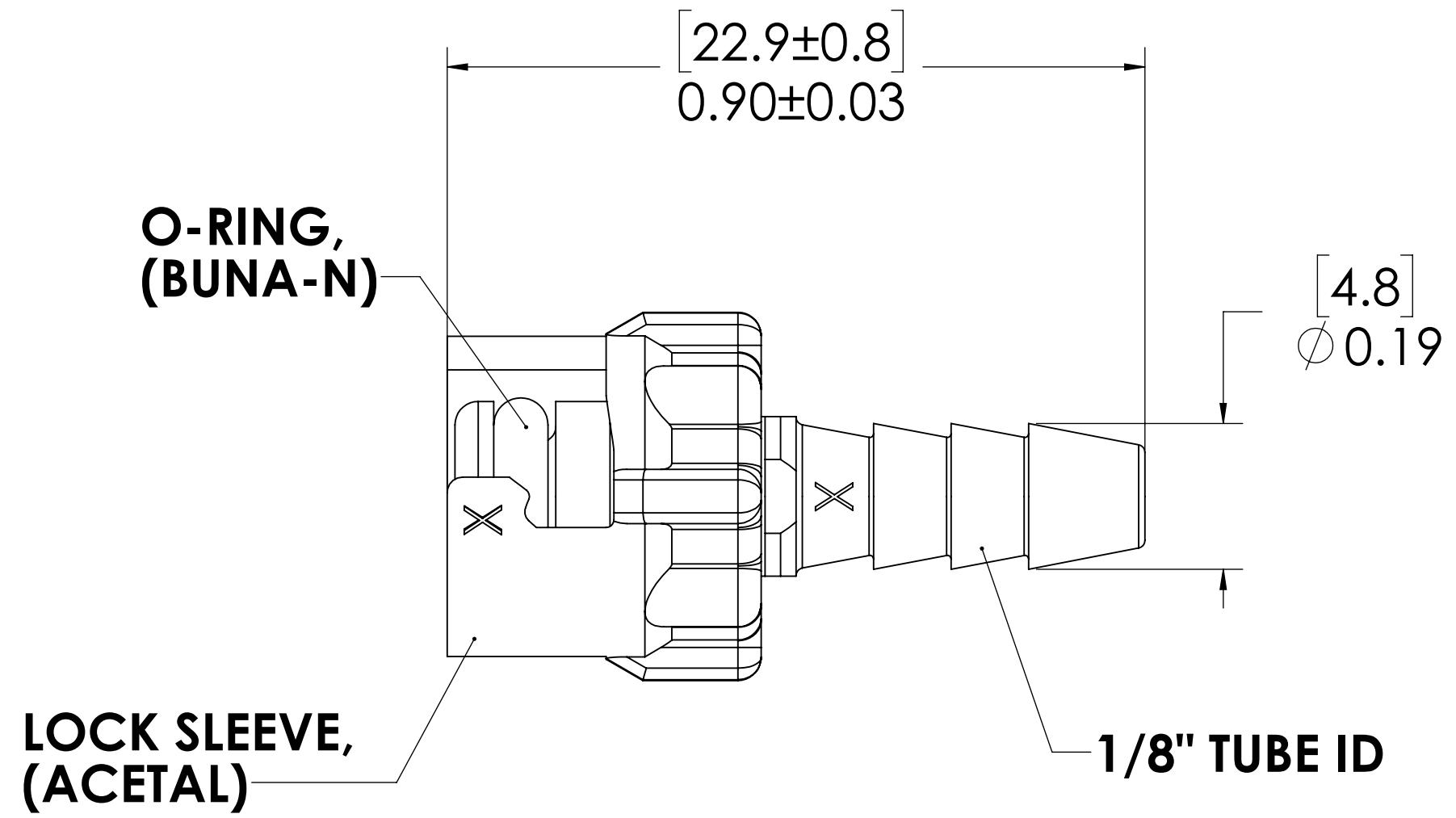
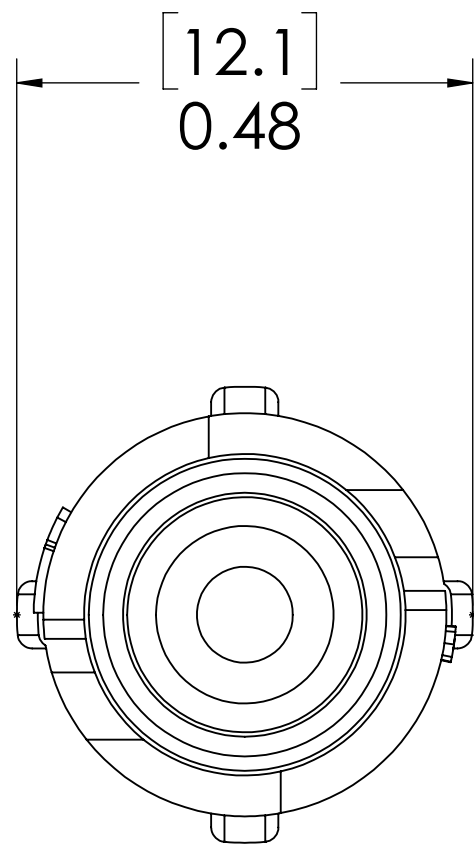
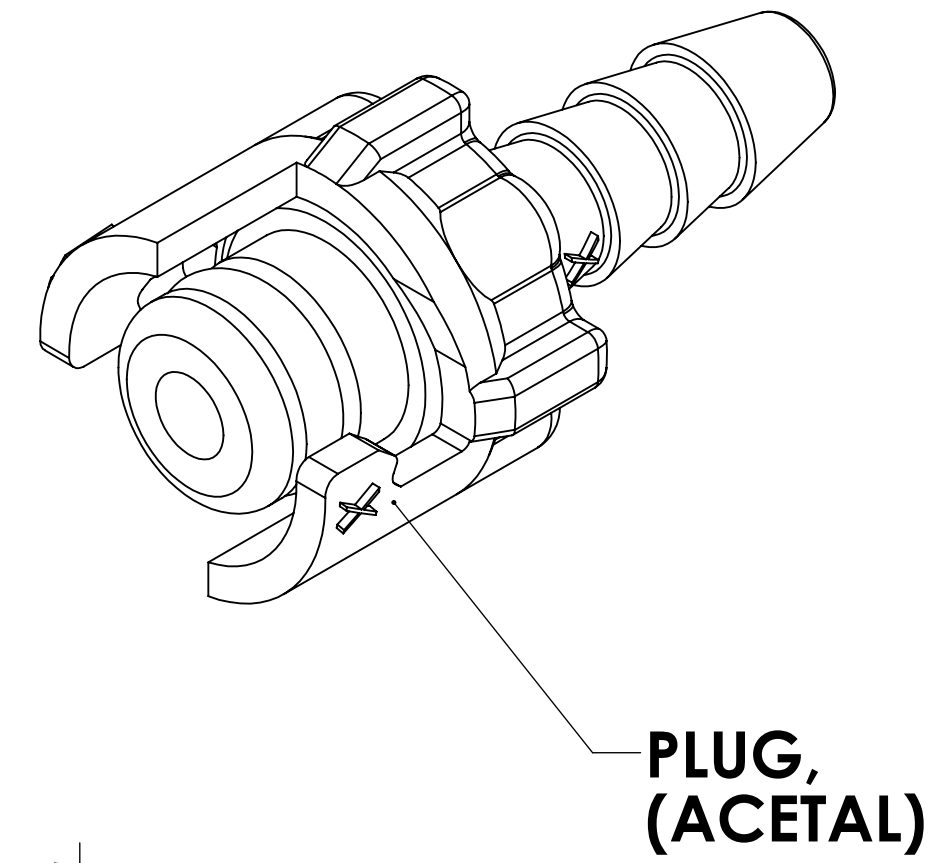


REVISIONS						
SHEET	ZONE	REV.	ECO	DESCRIPTION	DATE	APPROVED
1	ALL	A	50253	INITIAL RELEASE	8/27/2018	HRC
1	ALL	B	50303	BOM & FORMAT UPDATE	9/4/2019	HRC



- NOTES:**
- MATERIAL: ACETAL
  - COLOR: BLACK
  - O-RING MATERIAL: BUNA-N
  - O-RINGS LUBRICATED WITH FOOD GRADE SILICONE OIL, 350 CST.

**FOR REFERENCE ONLY**

<small>UNLESS OTHERWISE SPECIFIED:          DIMENSIONS ARE IN INCHES          TOLERANCES:          FRACTIONAL ± 1/32          ANGULAR: MACH ± 0.5 BEND ± 2          ONE PLACE DECIMAL ± 0.1          TWO PLACE DECIMAL ± 0.01          THREE PLACE DECIMAL ± 0.005          TWO PLACE DUAL (mm) [± 0.12]</small>	DRAWN	CGS	5-18-18	
	CHECKED	HRC	5/18/18	
	ENG APPR.	HRC	8/27/18	
	MFG APPR.	BDB	8/27/18	
<small>PROPRIETARY AND CONFIDENTIAL          THE INFORMATION CONTAINED IN THIS DRAWING IS THE SOLE PROPERTY OF LINKTECH LLC. ANY REPRODUCTION OR DISCLOSURE IN PART OR AS A WHOLE WITHOUT THE WRITTEN PERMISSION OF LINKTECH LLC IS STRICTLY PROHIBITED.</small>	PURCHASING	LS	8/27/18	PART NO: <b>10AC-PB2-02BLK</b> DESCRIPTION: <b>LinkTech 10AC Series Straight Male, Non-valved, 1/8" HB, Molded Black, Acetal</b>
<small>COMMENTS:</small>				SIZE DWG. NO. REV <b>C10AC100075 B</b>
<small>SCALE: NTS WEIGHT:</small>			<small>SHEET 1 OF 1</small>	