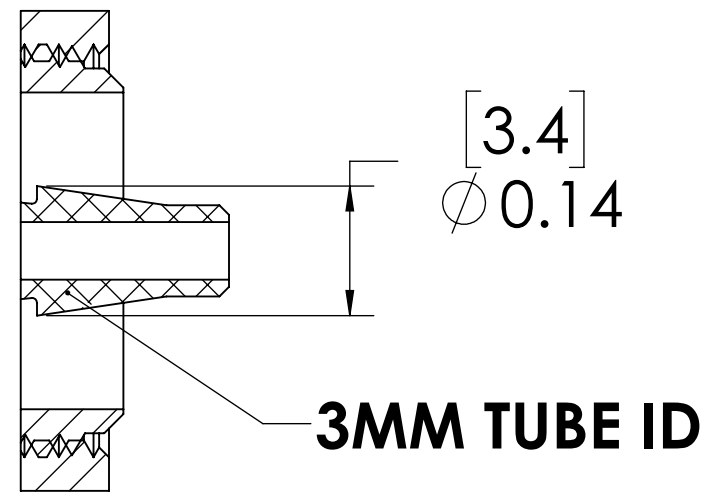
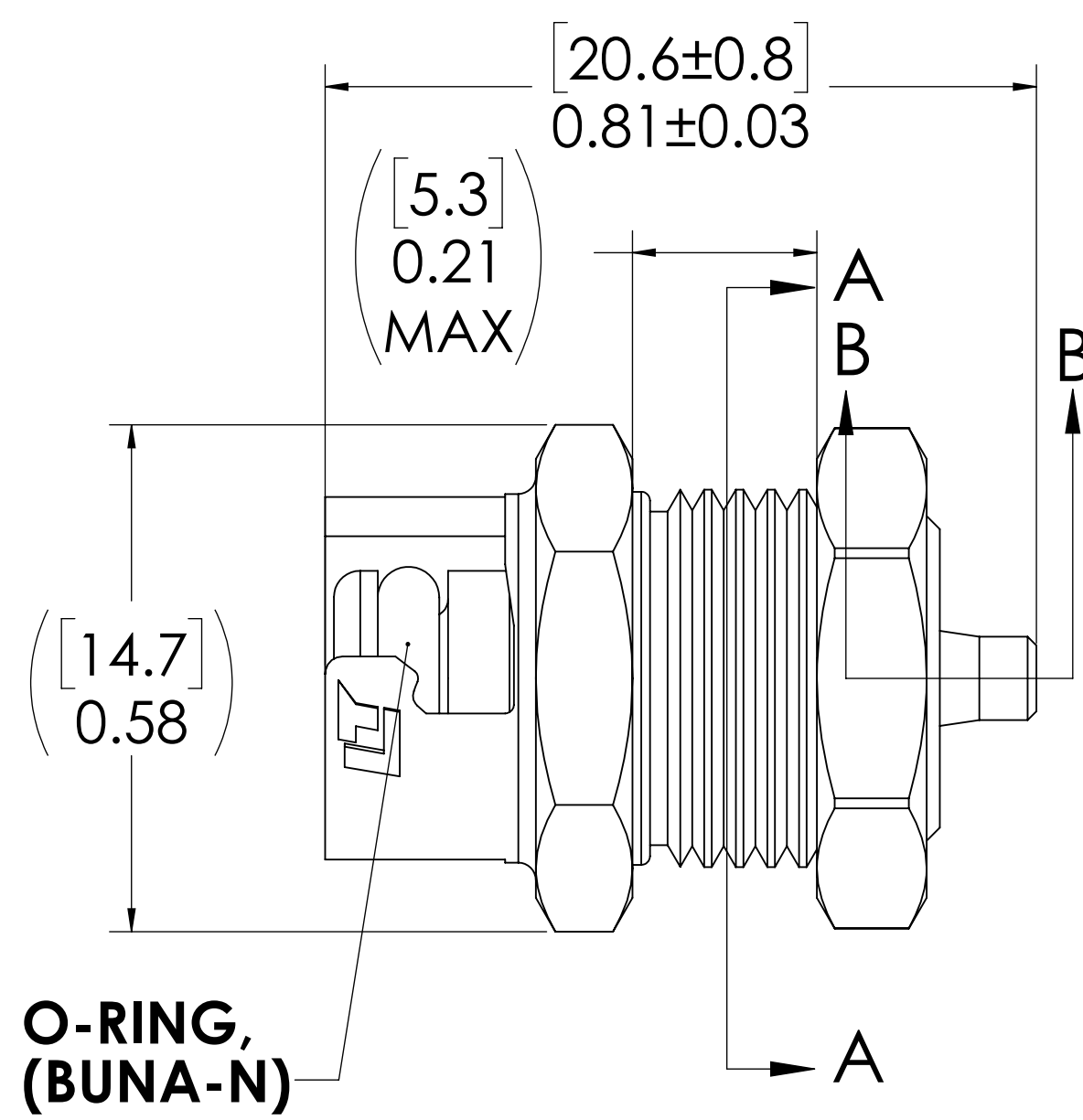
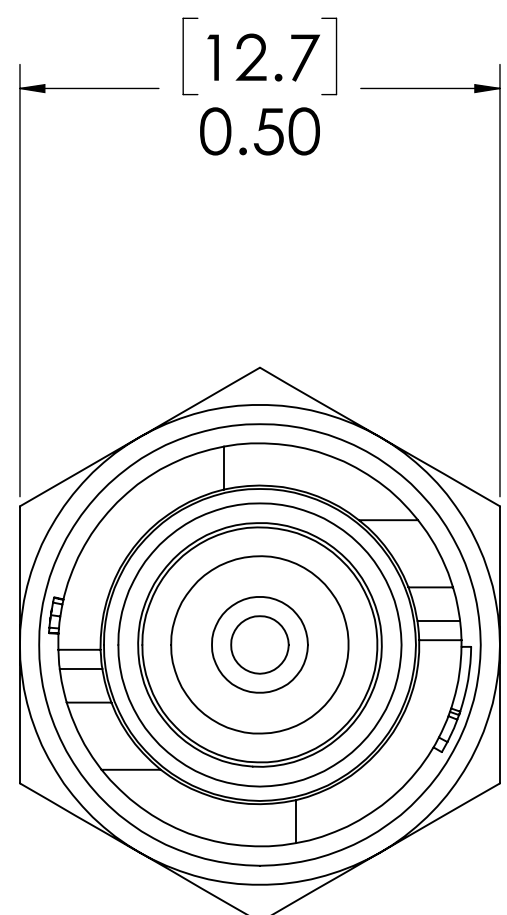
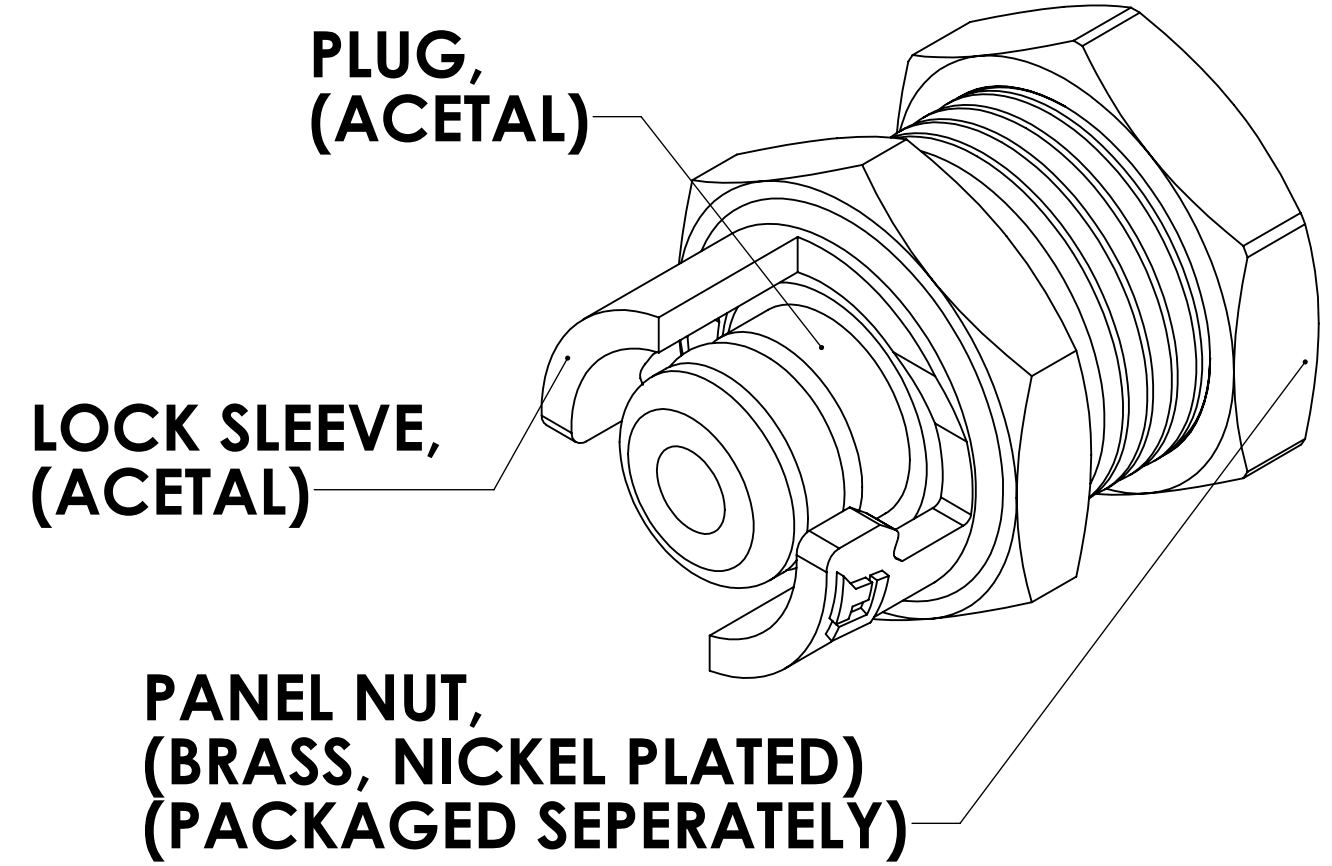


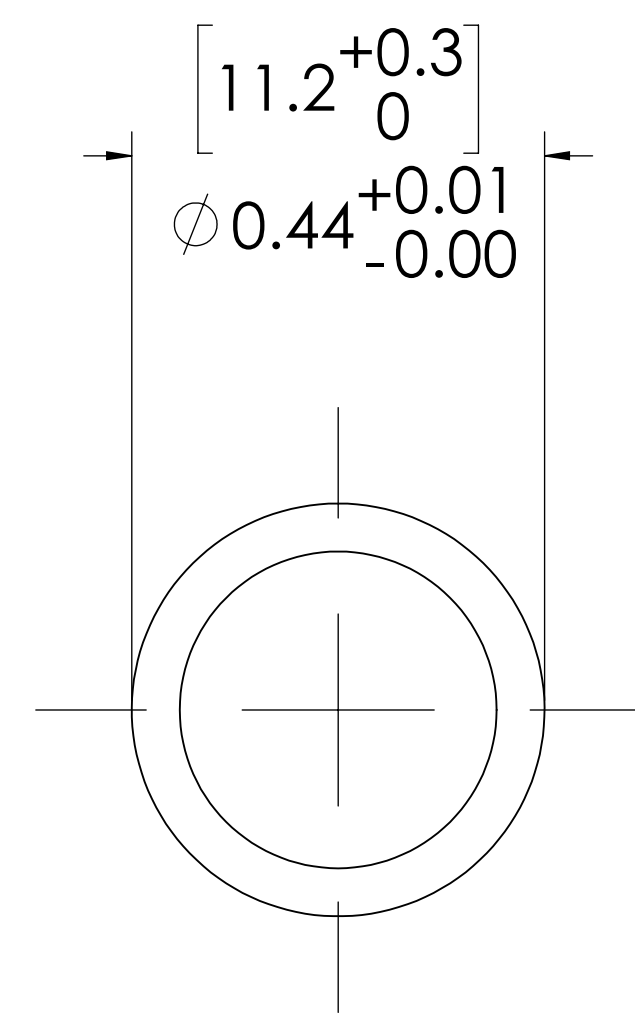
				REVISIONS		
SHEET	ZONE	REV.	ECO	DESCRIPTION	DATE	APPROVED
1	ALL	A	50307	INITIAL RELEASE	2/18/20	HRC



SECTION B-B



O-RING, (BUNA-N)



PANEL OPENING (SECTION A-A)

- NOTES:**
- MATERIAL: ACETAL
  - COLOR: BLACK
  - O-RING MATERIAL: BUNA-N
  - O-RINGS LUBRICATED WITH FOOD GRADE SILICONE OIL, 350 CST.

**FOR REFERENCE ONLY**

<small>UNLESS OTHERWISE SPECIFIED:          DIMENSIONS ARE IN INCHES          TOLERANCES:          FRACTIONAL ± 1/32          ANGULAR, MACH ± 0.5 BEND ± 2          ONE PLACE DECIMAL ± 0.1          TWO PLACE DECIMAL ± 0.01          THREE PLACE DECIMAL ± 0.005          TWO PLACE DUAL (mm) [± 0.12]</small>	DRAWN	RDA	1/13/2020	
	CHECKED	HRC	1/13/2020	
	ENG APPR.	HRC	2/18/20	
	MFG APPR.	BDB	2/18/20	
<small>PROPRIETARY AND CONFIDENTIAL          THE INFORMATION CONTAINED IN THIS DRAWING IS THE SOLE PROPERTY OF LINKTECH LLC. ANY REPRODUCTION OR DISCLOSURE IN PART OR AS A WHOLE WITHOUT THE WRITTEN PERMISSION OF LINKTECH LLC IS STRICTLY PROHIBITED.</small>	PURCHASING	LS	2/18/20	PART NO: 10AC-PB3-M3BLK DESCRIPTION: LinkTech 10AC Series Panel Mt. Male, Non-valved, 3mm HB, Black Acetal
SIZE DWG. NO. REV <b>C</b> 10AC100111 <b>A</b>		SCALE: NTS WEIGHT: SHEET 1 OF 1		