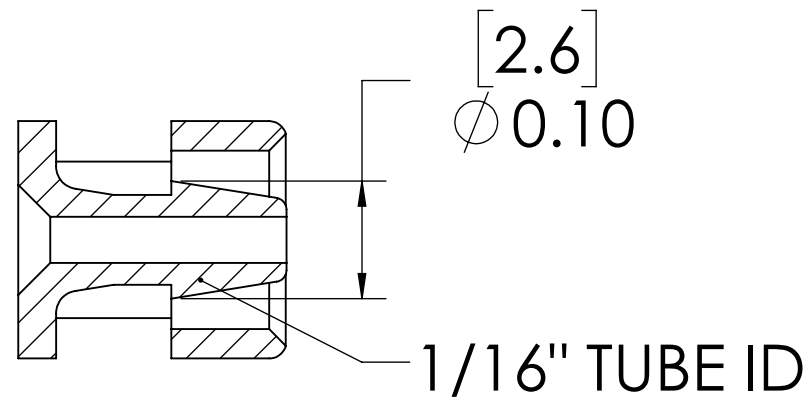
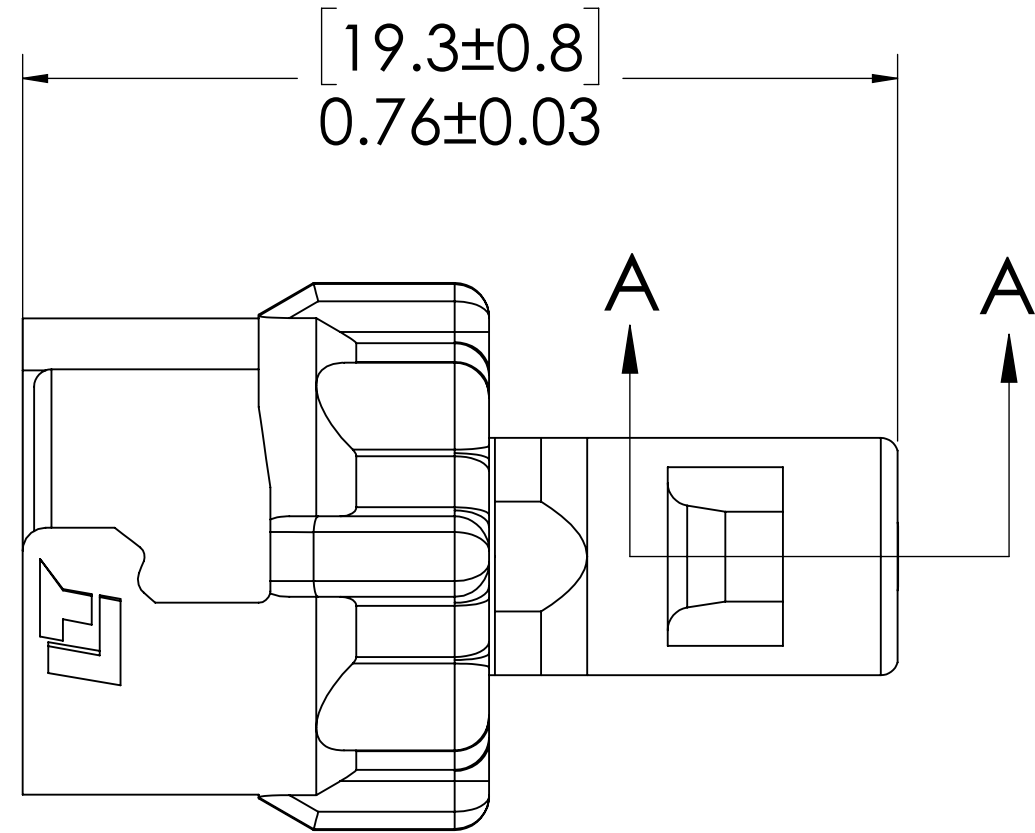
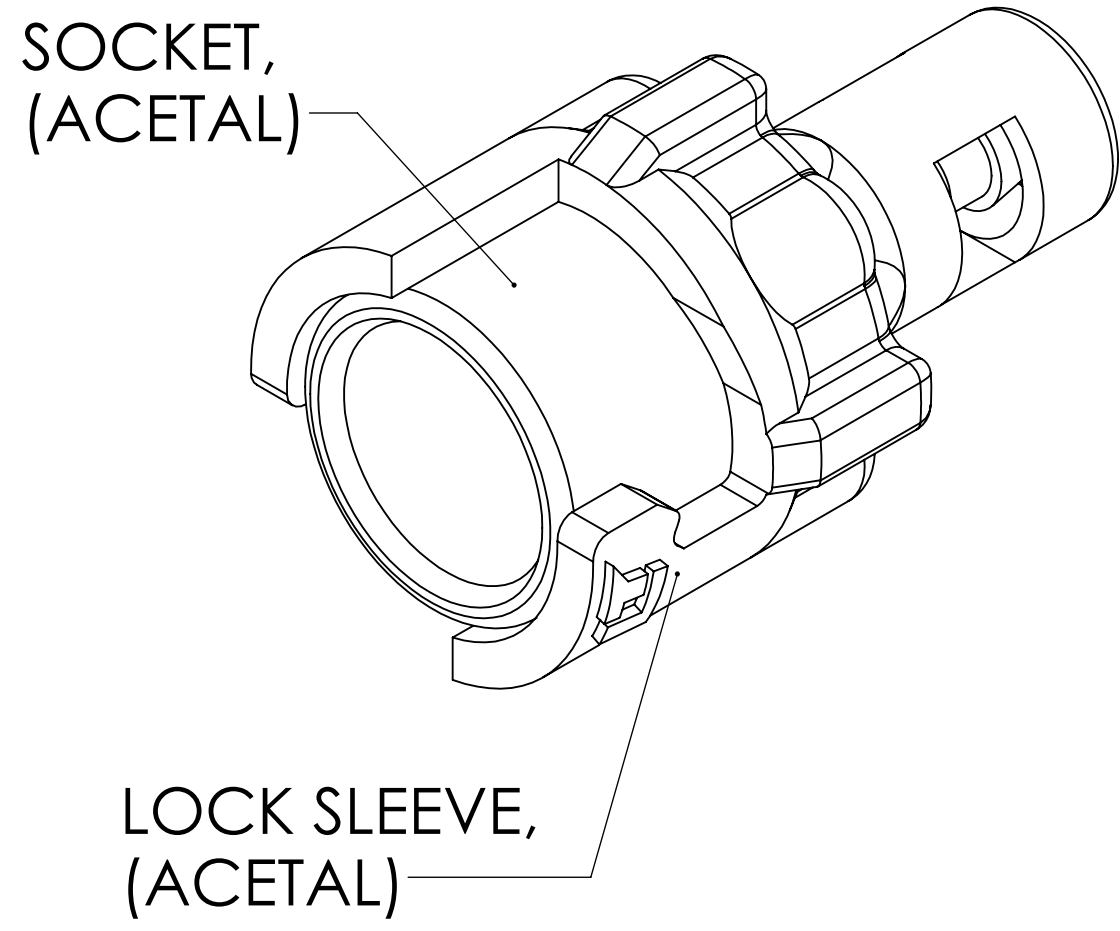
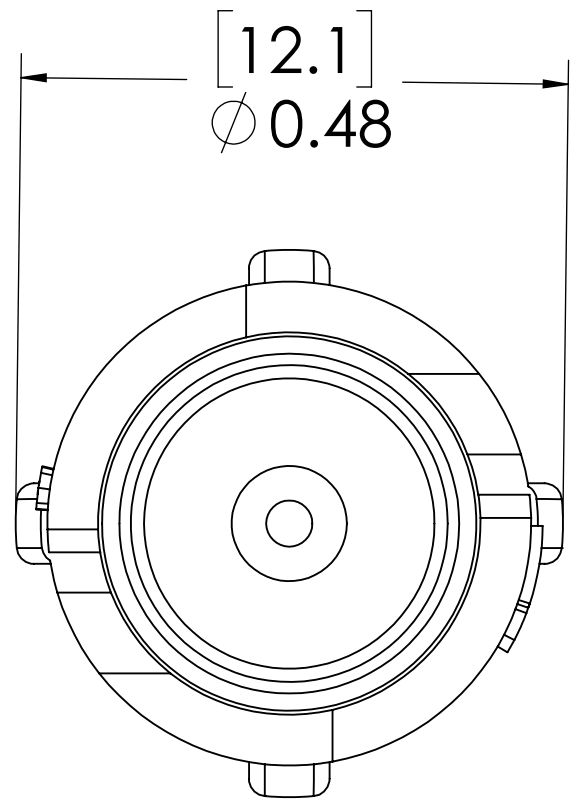


REVISIONS						
SHEET	ZONE	REV.	ECO	DESCRIPTION	DATE	APPROVED
1	E-4	A	UPDATED BARREL DESIGN	8/23/2012	HRC
1	D-6	A	REPLACE C11272 WITH C11285	8/23/2012	HRC
1	ALL	A	50047	INITIAL RELEASES	6/11/2013	HRC
1	ALL	B	50253	2017 FORMAT UPDATE	5/15/2018	HRC



SECTION A-A
SCALE 6 : 1



- NOTES:**
- MATERIAL: ACETAL
 - COLOR: NATURAL WHITE

FOR REFERENCE ONLY

<small>UNLESS OTHERWISE SPECIFIED: DIMENSIONS ARE IN INCHES TOLERANCES: FRACTIONAL ± 1/32 ANGULAR: MACH ± 0.5 BEND ± 2 ONE PLACE DECIMAL ± 0.1 TWO PLACE DECIMAL ± 0.01 THREE PLACE DECIMAL ± 0.005 TWO PLACE DUAL (mm) [±0.12]</small>	<small>DRAWN</small> HRC	<small>NAME</small> HRC	<small>DATE</small> 5/25/12		
	<small>CHECKED</small> HRC	<small>DATE</small> 5/25/12	<small>PART NO.:</small> 10AC-S2-01		
	<small>ENG APPR.</small> HRC	<small>DATE</small> 05-15-18	<small>DESCRIPTION:</small> LinkTech 10AC Series Straight Female, Non-valved, 1/16" HB, Natural Acetal		
	<small>MFG APPR.</small> BDB	<small>DATE</small> 05-15-18	<small>SIZE</small> C		
<small>PROPRIETARY AND CONFIDENTIAL</small> <small>THE INFORMATION CONTAINED IN THIS DRAWING IS THE SOLE PROPERTY OF LINKTECH LLC. ANY REPRODUCTION OR DISCLOSURE IN PART OR AS A WHOLE WITHOUT THE WRITTEN PERMISSION OF LINKTECH LLC IS STRICTLY PROHIBITED.</small>	<small>PURCHASING</small> RK	<small>DATE</small> 05-15-18	<small>REV</small> B	<small>DWG. NO.</small> 10AC100033	
<small>COMMENTS:</small>			<small>SCALE: NTS</small>	<small>WEIGHT:</small>	<small>SHEET 1 OF 1</small>