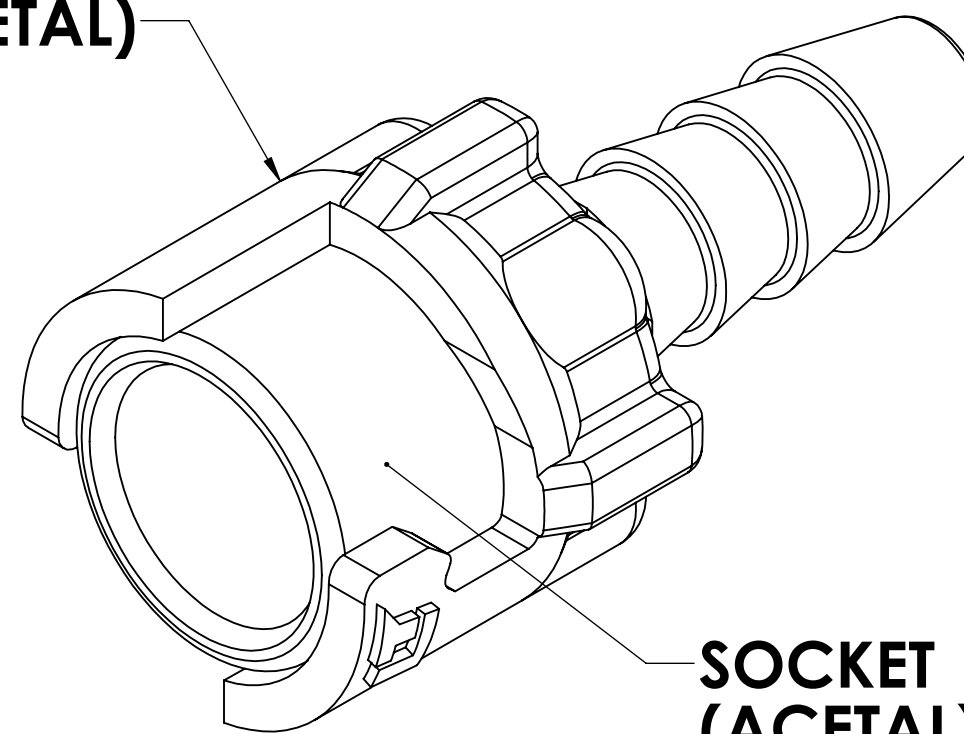
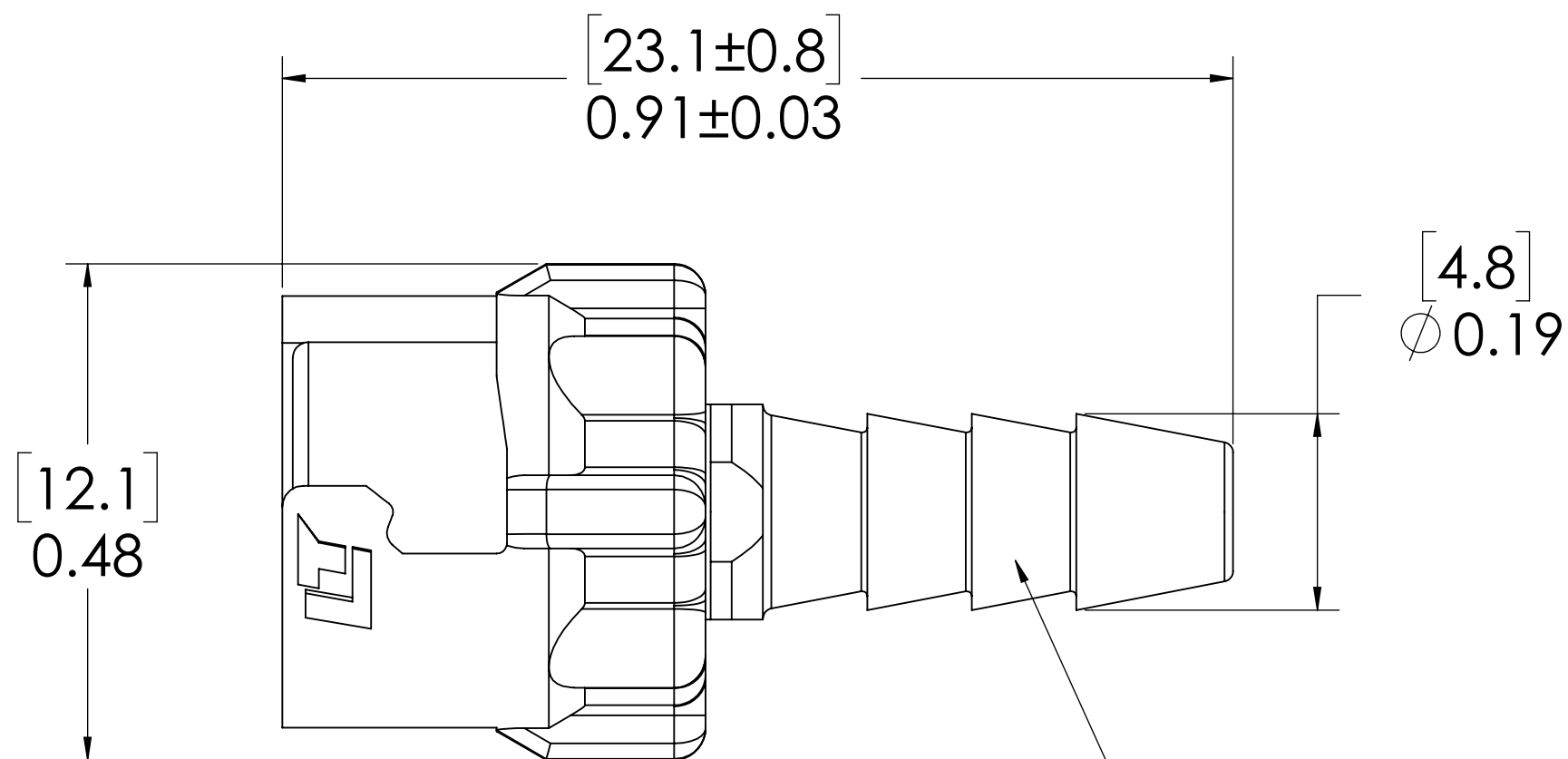
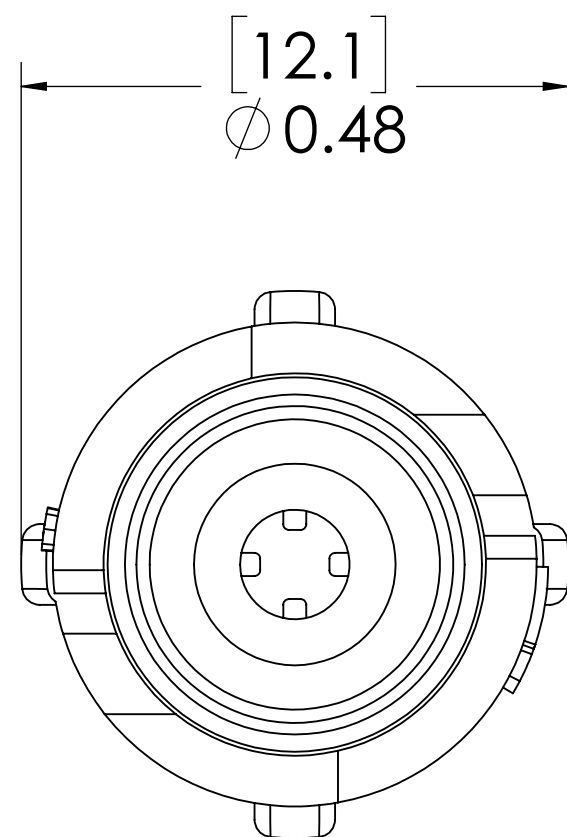


REVISIONS						
SHEET	ZONE	REV.	ECO	DESCRIPTION	DATE	APPROVED
1	ALL	A	50253	UPDATE DWG TO CURRENT FORMAT & STANDARDS	10/30/2018	HRC
ALL	ALL	B	50307	CONVERT DYED TO MOLDED BLACK	1/10/2020	HRC

**LOCK SLEEVE  
(ACETAL)**



**SOCKET  
(ACETAL)**




**1/8" TUBE ID**

**NOTES:**

1. MATERIAL: ACETAL
2. COLOR: BLACK

**FOR REFERENCE ONLY**

<small>UNLESS OTHERWISE SPECIFIED: DIMENSIONS ARE IN INCHES TOLERANCES: FRACTIONAL ± 1/32 ANGULAR: MACH ± 0.5 BEND ± 2 ONE PLACE DECIMAL ± 0.1 TWO PLACE DECIMAL ± 0.01 THREE PLACE DECIMAL ± 0.005 TWO PLACE DUAL (mm) [± 0.12]</small>	DRAWN	LMP	4/26/2018	 <b>PART NO: 10AC-S2-02BLK</b> <b>DESCRIPTION:</b> <b>LinkTech 10AC Series, Inline Socket, Non-Valved, 1/8" HB, Black</b>
	CHECKED	HRC	4/26/2018	
	ENG APPR.	HRC	10/30/18	
	MFG APPR.	BDB	10/30/18	
<small>PROPRIETARY AND CONFIDENTIAL</small> <small>THE INFORMATION CONTAINED IN THIS DRAWING IS THE SOLE PROPERTY OF LINKTECH LLC. ANY REPRODUCTION OR DISCLOSURE IN PART OR AS A WHOLE WITHOUT THE WRITTEN PERMISSION OF LINKTECH LLC IS STRICTLY PROHIBITED.</small>	PRODUCTION	LS	10/30/18	<small>SIZE</small> DWG. NO. REV <b>C</b> 10AC100086 <b>B</b>
<small>COMMENTS:</small>			<small>SCALE: NTS</small> WEIGHT: SHEET 1 OF 1	