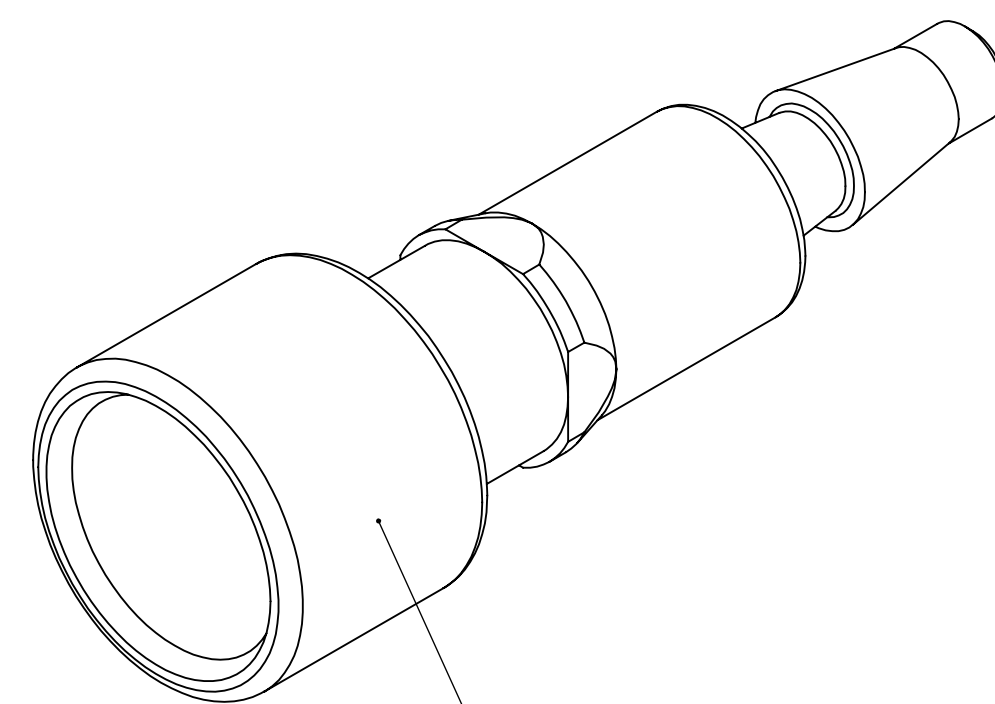
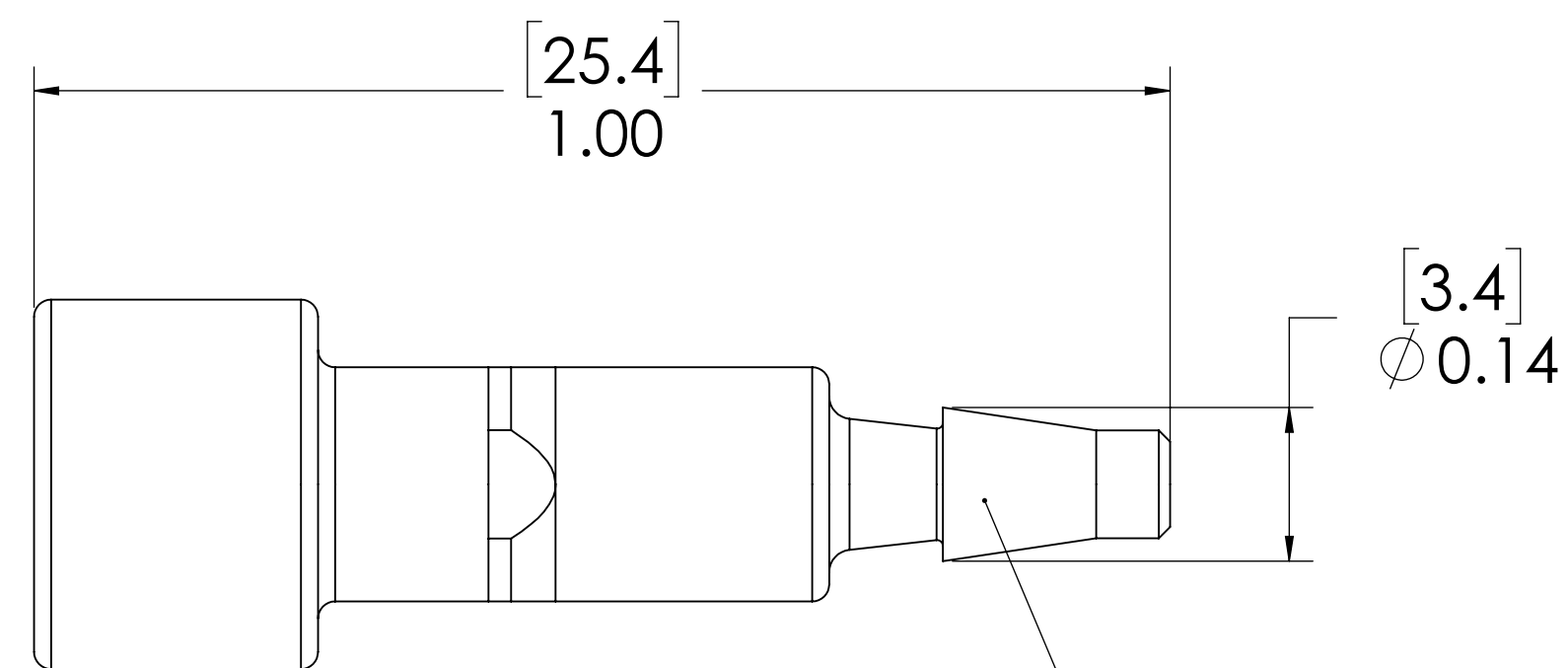
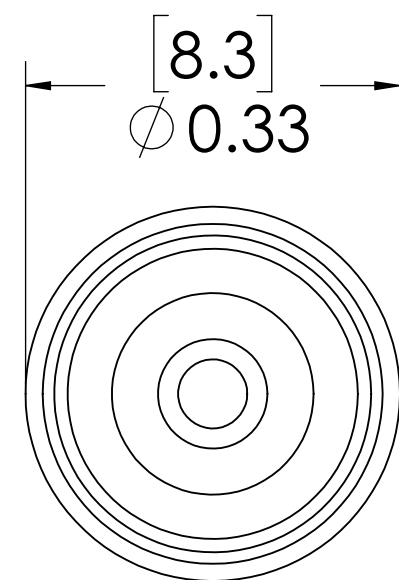


REVISIONS						
SHEET	ZONE	REV.	ECO	DESCRIPTION	DATE	APPROVED
1	ALL	NC	50307	INITIAL RELEASE	2/18/2020	HRC




**SOCKET
(ACETAL)**



3MM TUBE ID

- NOTES:**
- MATERIAL: ACETAL
 - COLOR: BLACK

FOR REFERENCE ONLY

UNLESS OTHERWISE SPECIFIED: DIMENSIONS ARE IN INCHES TOLERANCES: FRACTIONAL ± 1/32 ANGULAR: MACH ± 0.5 BEND ± 2 ONE PLACE DECIMAL ± 0.1 TWO PLACE DECIMAL ± 0.01 THREE PLACE DECIMAL ± 0.005 TWO PLACE DUAL (mm) [±0.12]	DRAWN	RDA	1/13/2020	 PART NO: 10AC-S2-M3NSBLK
	CHECKED	HRC	1/13/2020	
PROPRIETARY AND CONFIDENTIAL THE INFORMATION CONTAINED IN THIS DRAWING IS THE SOLE PROPERTY OF LINKTECH LLC. ANY REPRODUCTION OR DISCLOSURE IN PART OR AS A WHOLE WITHOUT THE WRITTEN PERMISSION OF LINKTECH LLC IS STRICTLY PROHIBITED.	ENG APPR.	HRC	2/18/20	DESCRIPTION: LinkTech 10AC Series, Inline Socket, Non-Valved, 3mm HB, No Sleeve, Black Acetal
	MFG APPR.	BDB	2/18/20	
	PRODUCTION	LS	2/18/20	
COMMENTS:				SIZE DWG. NO. REV C 10AC100113 A
SCALE: NTS WEIGHT:			SHEET 1 OF 1	