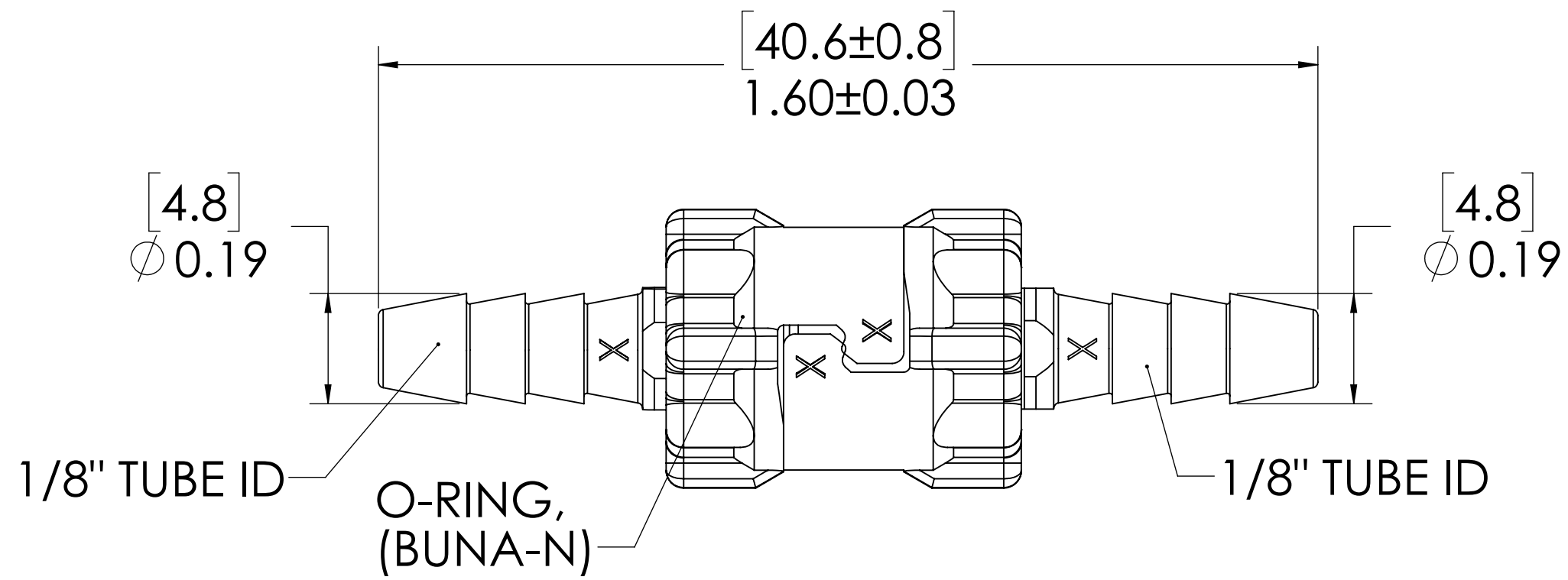
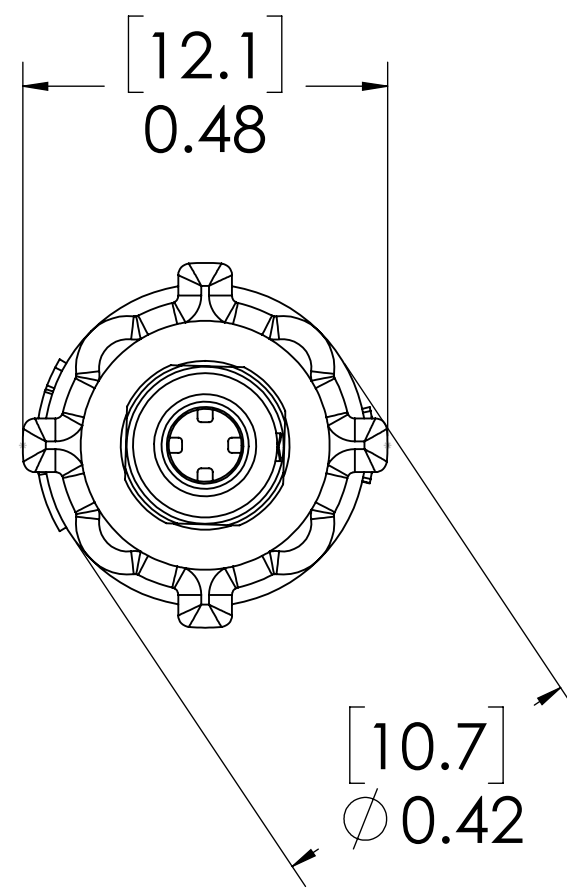
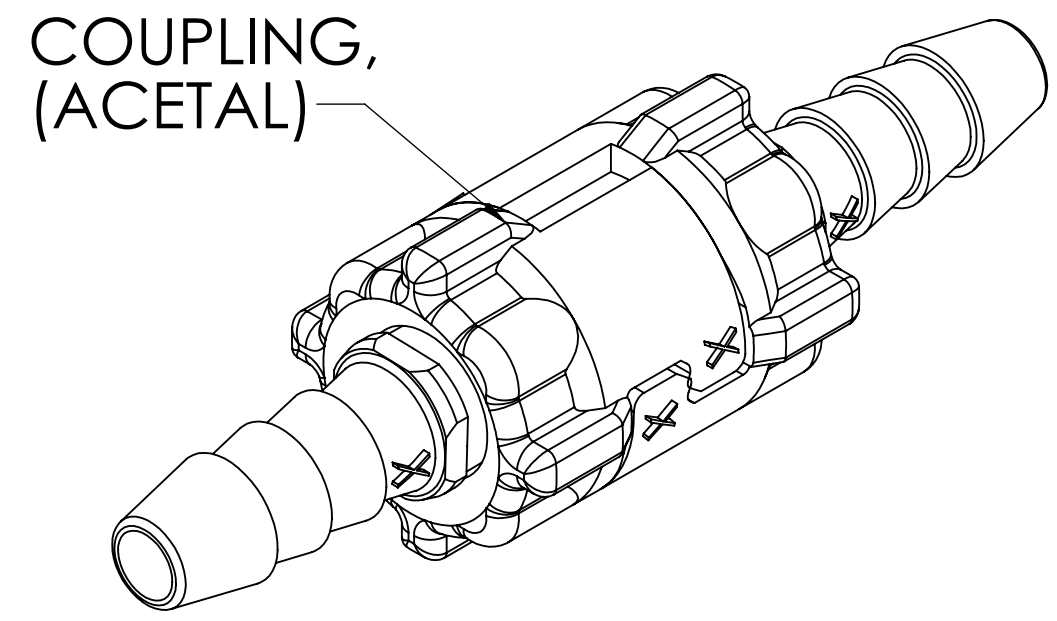


REVISIONS						
SHEET	ZONE	REV.	ECO	DESCRIPTION	DATE	APPROVED
1	ALL	A	50253	2017 DWG FORMAT UPDATE	8/9/2018	HRC



**NOTES:**

1. MATERIAL: ACETAL
2. COLOR: BLACK
3. O-RING MATERIAL: BUNA-N
4. O-RINGS LUBRICATED WITH FOOD GRADE SILICONE OIL, 350 CST.

**FOR REFERENCE ONLY**

<small>UNLESS OTHERWISE SPECIFIED:  DIMENSIONS ARE IN INCHES  TOLERANCES:  FRACTIONAL ± 1/32  ANGULAR: MACH ± 0.5 BEND ± 2  ONE PLACE DECIMAL ± 0.1  TWO PLACE DECIMAL ± 0.01  THREE PLACE DECIMAL ± 0.005  TWO PLACE DECIMAL (mm) [± 0.12]</small>	DRAWN	CGS	5/24/18	
	CHECKED	HRC	5/24/18	
	ENG APPR.	HRC	8/9/18	
	MFG APPR.	BDB	8/9/18	
<small>PROPRIETARY AND CONFIDENTIAL  THE INFORMATION CONTAINED IN THIS DRAWING IS THE SOLE PROPERTY OF LINKTECH LLC. ANY REPRODUCTION OR DISCLOSURE IN PART OR AS A WHOLE WITHOUT THE WRITTEN PERMISSION OF LINKTECH LLC IS STRICTLY PROHIBITED.</small>	Q.A.	JJB	8/9/18	PART NO: 10AC2-02BLK DESCRIPTION: LinkTech 10AC Series Straight Coupling, Non-Valved, 1/8" HB, Molded Black, Natural Acetal
<small>COMMENTS:</small>				SIZE DWG. NO. REV <b>C</b> 10AC100084 <b>A</b>
SCALE: NTS WEIGHT:			SHEET 1 OF 1	