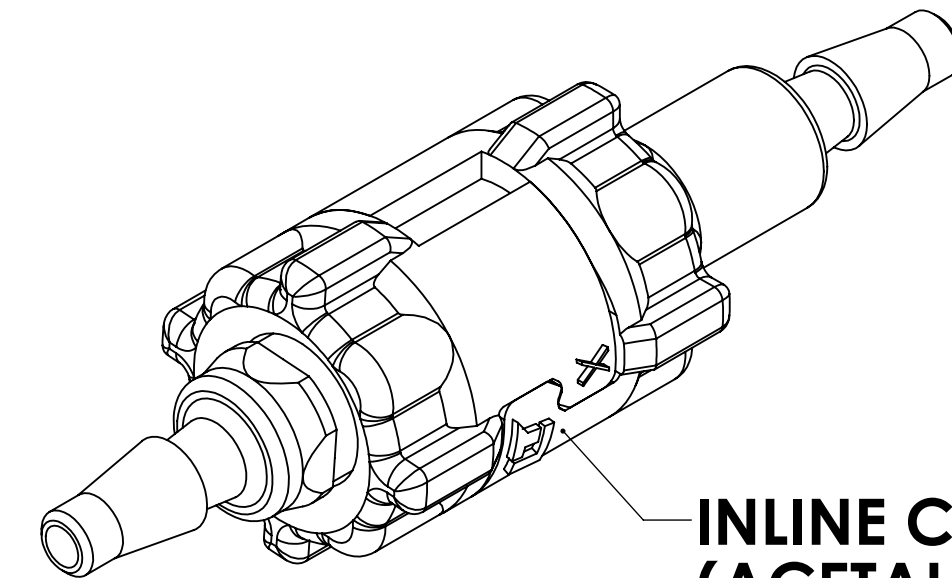
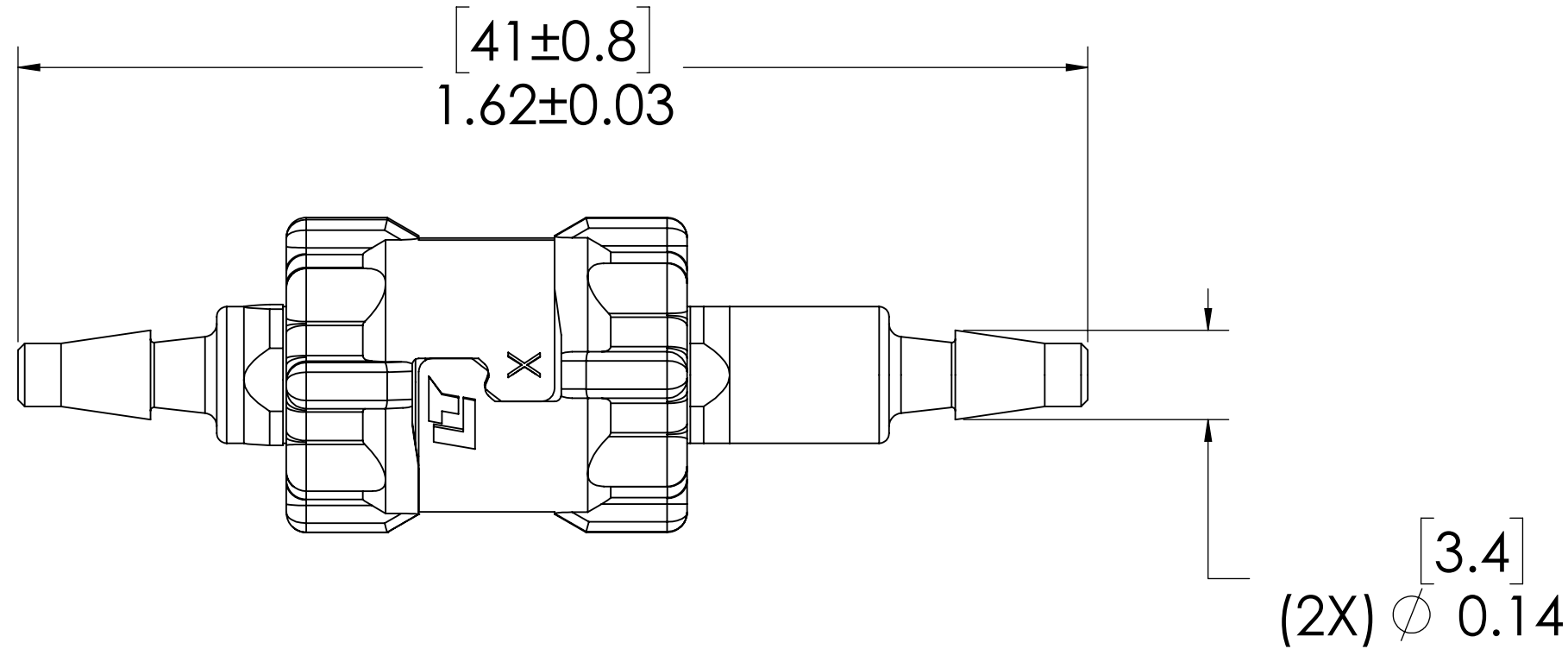
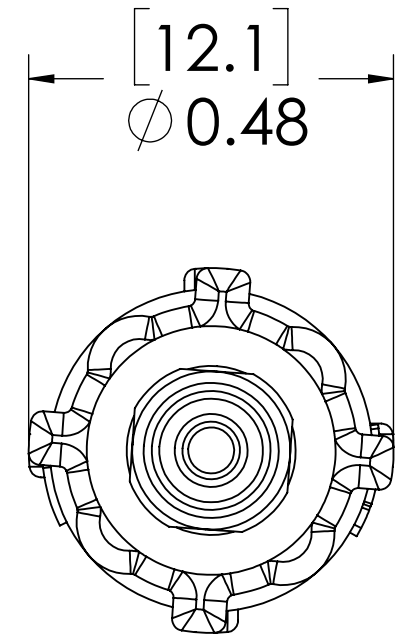


REVISIONS						
SHEET	ZONE	REV.	ECO	DESCRIPTION	DATE	APPROVED
ALL	ALL	A	50311	INITIAL RELEASE	2/18/2020	HRC



**INLINE COUPLING  
(ACETAL)**



- NOTES:**
1. MATERIAL: ACETAL
  2. COLOR: BLACK
  3. O-RING MATERIAL: BUNA-N
  4. O-RINGS LUBRICATED WITH FOOD GRADE SILICONE OIL, 350 CST.

**FOR REFERENCE ONLY**

<small>UNLESS OTHERWISE SPECIFIED: DIMENSIONS ARE IN INCHES TOLERANCES: FRACTIONAL ± 1/32 ANGULAR: MACH ± 0.5 BEND ± 2 ONE PLACE DECIMAL ± 0.1 TWO PLACE DECIMAL ± 0.01 THREE PLACE DECIMAL ± 0.005 TWO PLACE DUAL (mm) [± 0.12]</small>	DRAWN	RDA	1/13/2020	
	CHECKED	HRC	1/13/2020	
	ENG APPR.	HRC	2/18/20	
	MFG APPR.	BDB	2/18/20	
PRODUCTION	LS	2/18/20		<b>PART NO:</b> 10AC2-M3BLK <b>DESCRIPTION:</b> LinkTech 10AC SERIES INLINE COUPLING NV 3MHB BLACK
<small>PROPRIETARY AND CONFIDENTIAL THE INFORMATION CONTAINED IN THIS DRAWING IS THE SOLE PROPERTY OF LINKTECH LLC. ANY REPRODUCTION OR DISCLOSURE IN PART OR AS A WHOLE WITHOUT THE WRITTEN PERMISSION OF LINKTECH LLC IS STRICTLY PROHIBITED.</small>	COMMENTS:			<b>SIZE</b> DWG. NO. REV <b>C</b> 10AC100110 <b>A</b>
SCALE: NTS		WEIGHT:	SHEET 1 OF 1	