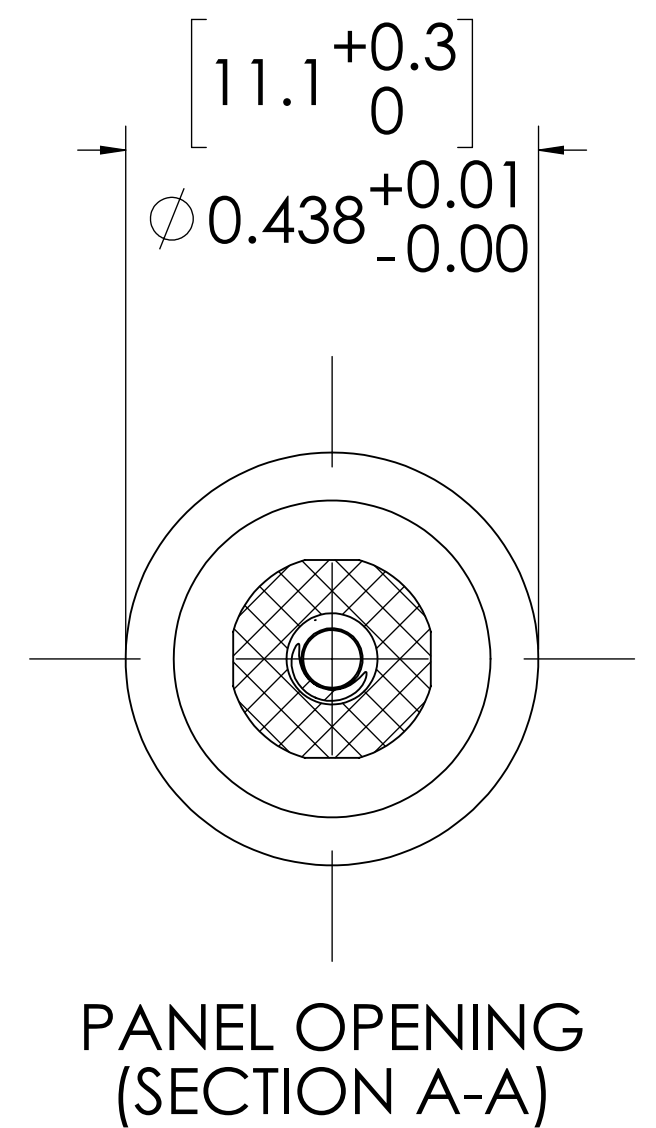
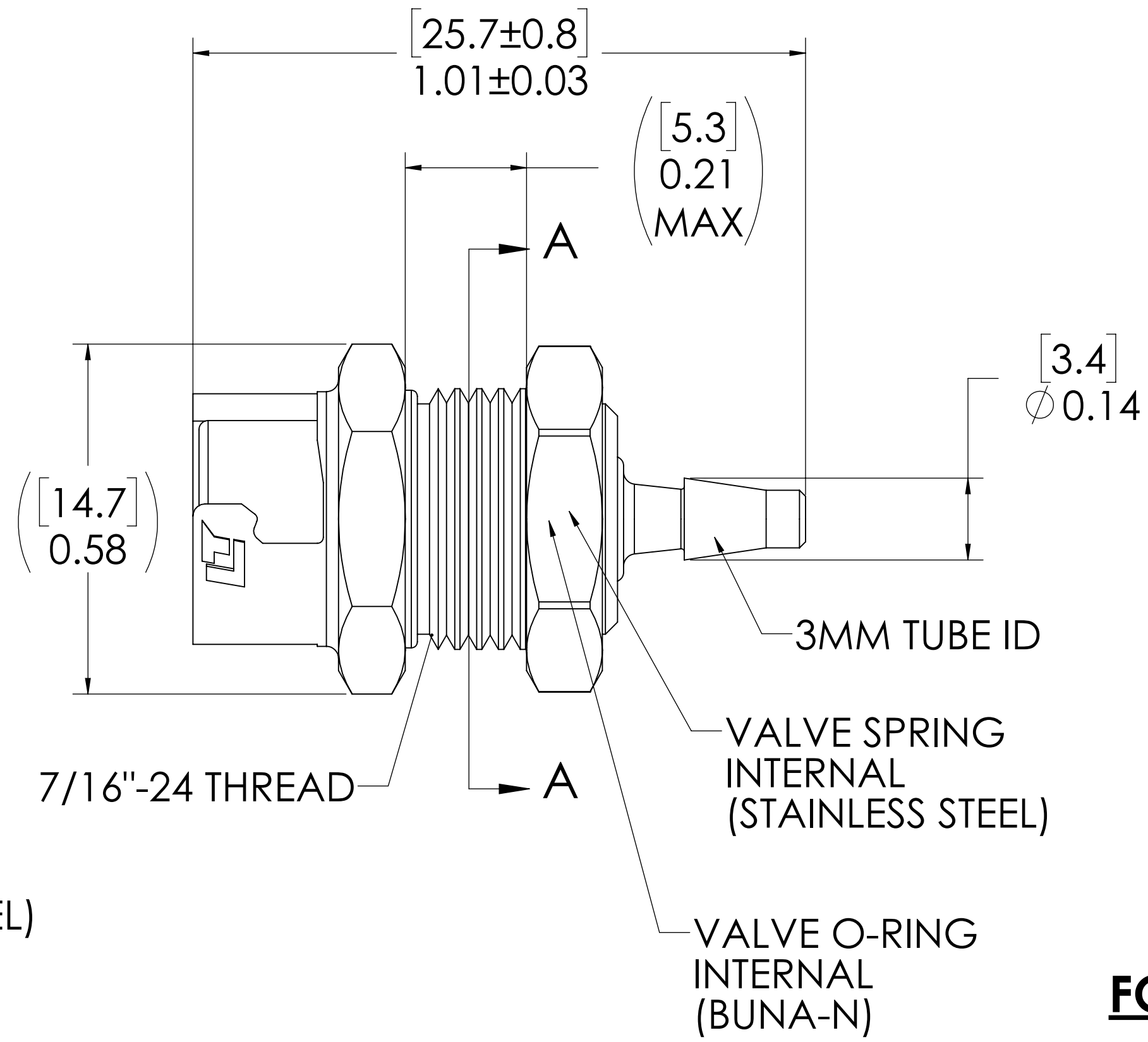
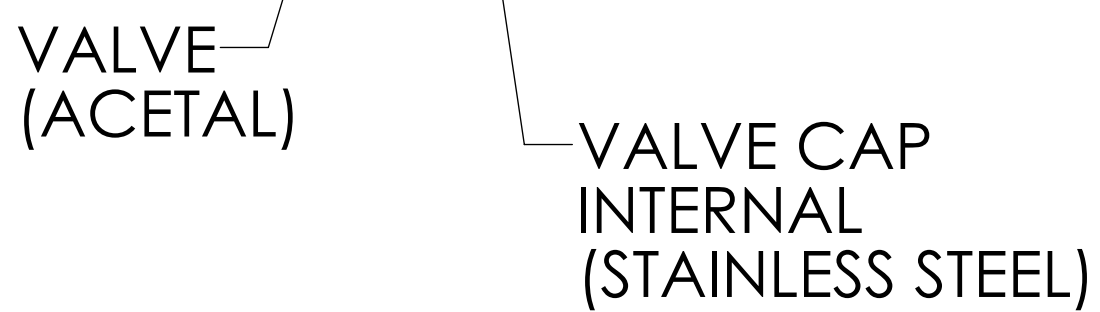
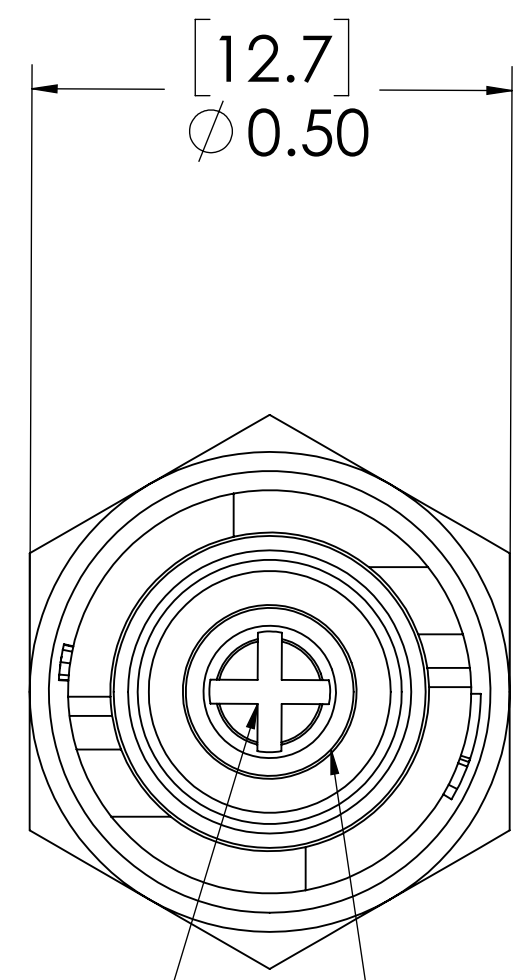
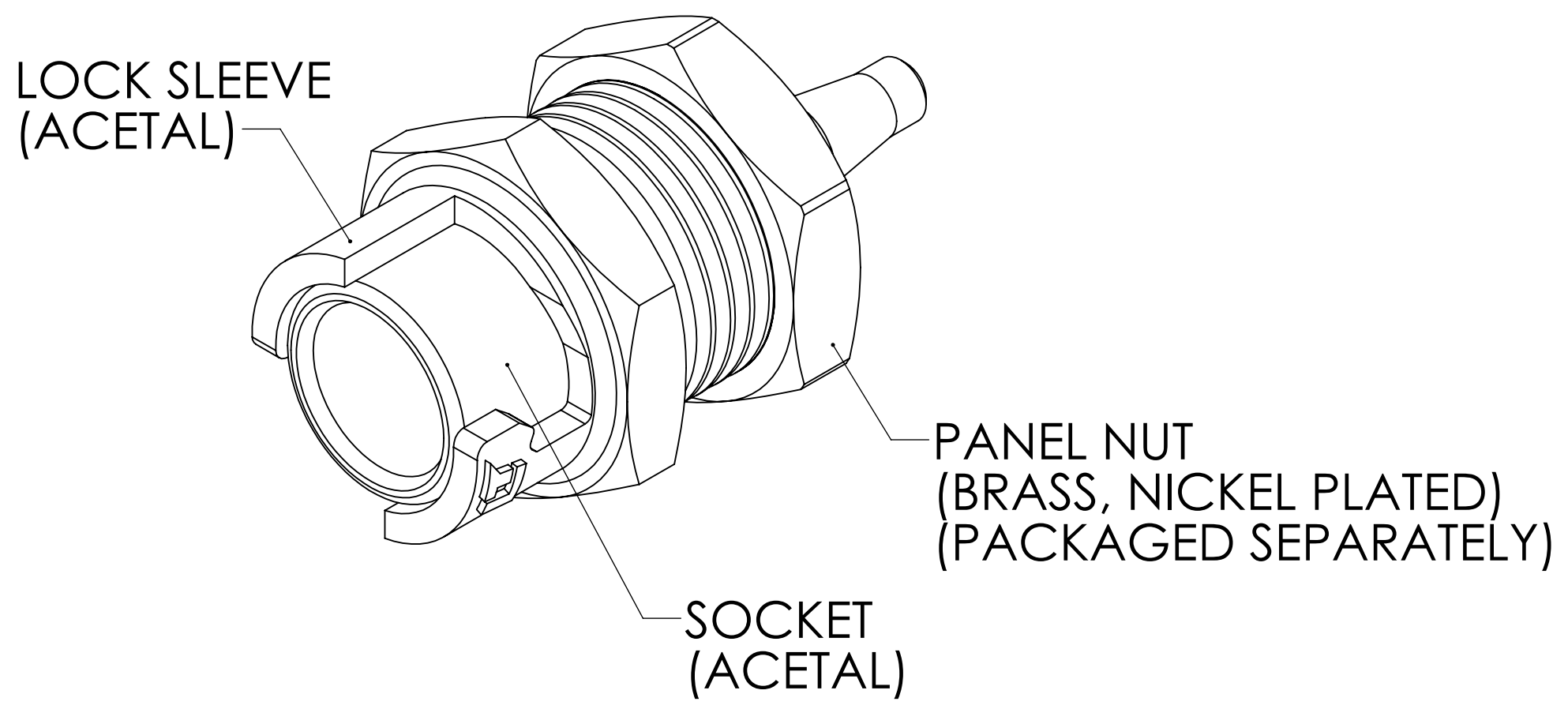


REVISIONS						
SHEET	ZONE	REV.	ECO	DESCRIPTION	DATE	APPROVED
1	ALL	A	50307	INITIAL RELEASE	1/10/2020	HRC



- NOTES:**
- MATERIAL: ACETAL
 - COLOR: BLACK
 - O-RING MATERIAL: BUNA-N
 - O-RINGS LUBRICATED WITH FOOD GRADE SILICONE OIL, 350 CST.

FOR REFERENCE ONLY

<small>UNLESS OTHERWISE SPECIFIED: DIMENSIONS ARE IN INCHES TOLERANCES: FRACTIONAL ±1/32 ANGULAR: MACH ±0.5 BEND ±2 ONE PLACE DECIMAL ±0.1 TWO PLACE DECIMAL ±0.01 THREE PLACE DECIMAL ±0.005 TWO PLACE DUAL (mm) [±0.12]</small>	DRAWN	RDA	10/14/2019	
	CHECKED	HRC	10/14/19	
	ENG APPR.	HRC	1/10/20	
	MFG APPR.	BDB	1/10/20	
PRODUCTION	LS	1/10/20		PART NO: 10ACV-SB3-M3BLK DESCRIPTION: LinkTech 10AC Series Panel Mt. Female, Valved, 3mm HB
<small>PROPRIETARY AND CONFIDENTIAL THE INFORMATION CONTAINED IN THIS DRAWING IS THE SOLE PROPERTY OF LINKTECH LLC. ANY REPRODUCTION OR DISCLOSURE IN PART OR AS A WHOLE WITHOUT THE WRITTEN PERMISSION OF LINKTECH LLC IS STRICTLY PROHIBITED.</small>	SIZE	DWG. NO.	REV	
	C	10AC100108	A	
	SCALE: NTS	WEIGHT:		SHEET 1 OF 1