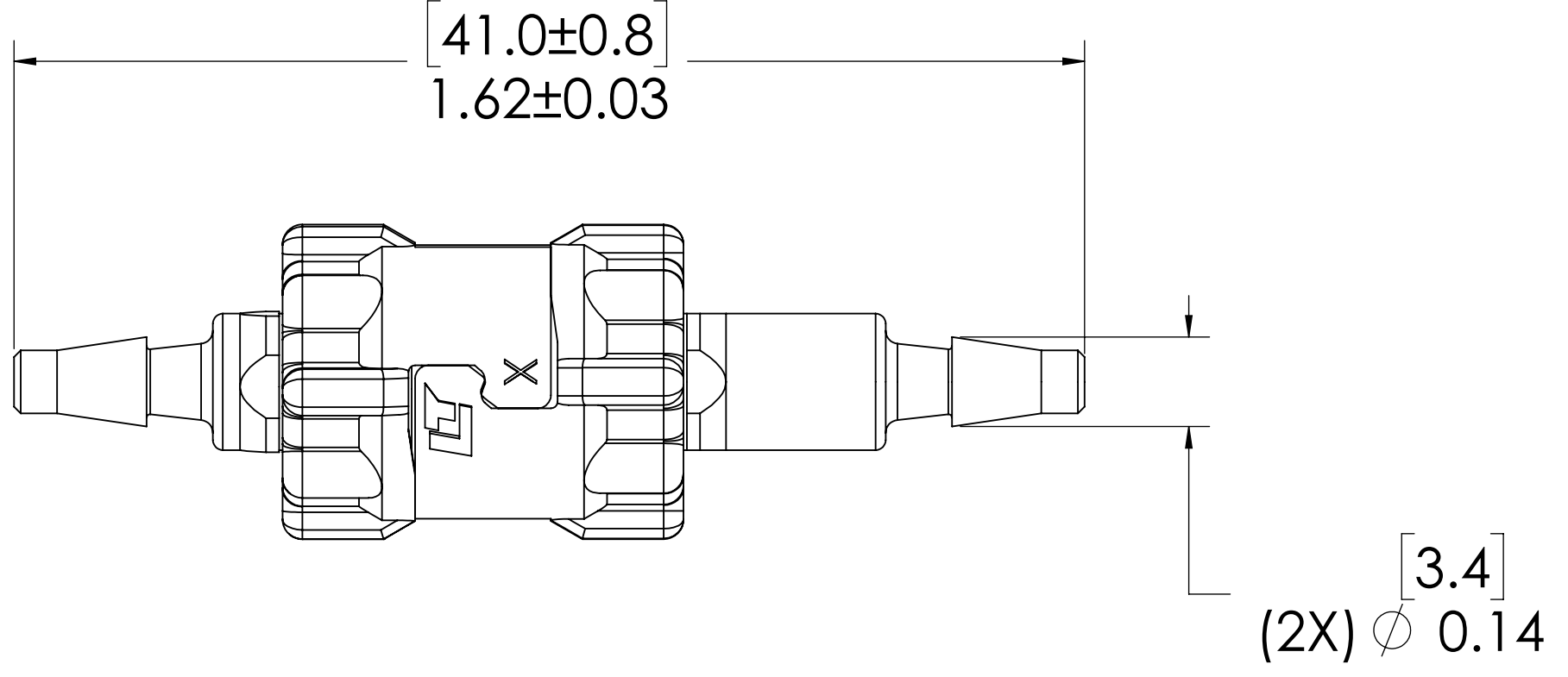
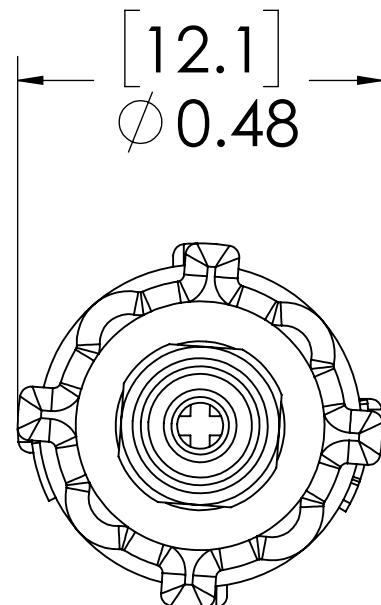
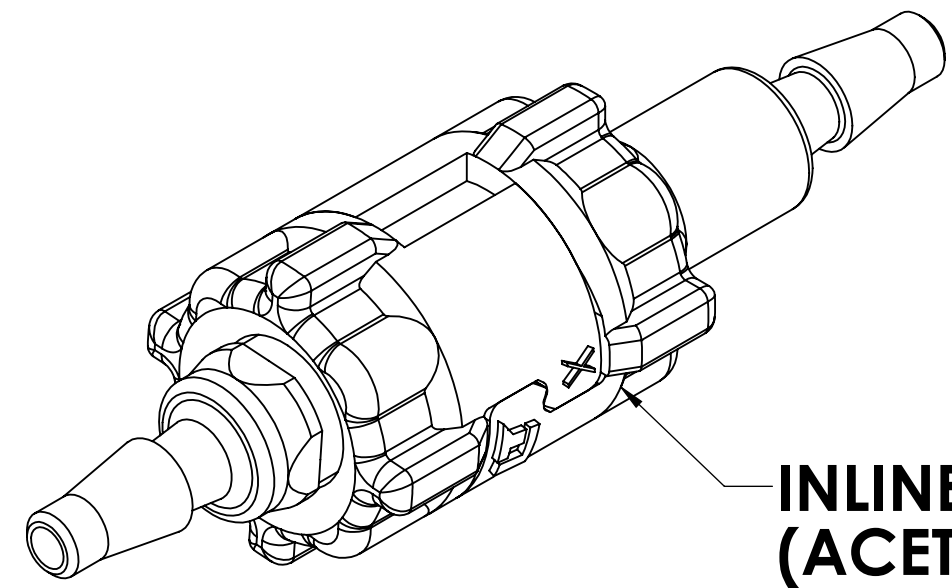



REVISIONS						
SHEET	ZONE	REV.	ECO	DESCRIPTION	DATE	APPROVED
1	ALL	A	50311	INITIAL RELEASE	2/6/2020	HRC



- NOTES:**
1. MATERIAL: ACETAL
 2. COLOR: NATURAL WHITE
 3. O-RING MATERIAL: BUNA-N
 4. O-RINGS LUBRICATED WITH FOOD GRADE SILICONE OIL, 350 CST.

FOR REFERENCE ONLY

<small>UNLESS OTHERWISE SPECIFIED: DIMENSIONS ARE IN INCHES TOLERANCES: FRACTIONAL ± 1/32 ANGULAR: MACH ± 0.5 BEND ± 2 ONE PLACE DECIMAL ± 0.1 TWO PLACE DECIMAL ± 0.01 THREE PLACE DECIMAL ± 0.005 TWO PLACE DUAL (mm) [±0.12]</small>	<small>DRAWN</small> RDA	<small>DATE</small> 1/27/2020	 <small>LINKTECH ENGINEERING INC. - HUNTSVILLE, AL</small> PART NO: 10ACV2-M3	
	<small>CHECKED</small> HRC	<small>DATE</small> 1/27/2020		<small>DESCRIPTION:</small> linkTech 10AC Series Coupling, Valved 3mm HB Natural Acetal
	<small>ENG APPR.</small> HRC	<small>DATE</small> 2/6/20		
	<small>MFG APPR.</small> BDB	<small>DATE</small> 2/6/20		<small>SIZE</small> C
<small>PRODUCTION</small> LS	<small>DATE</small> 2/6/20	<small>SCALE: NTS</small>	<small>WEIGHT:</small>	<small>SHEET 1 OF 1</small>

PROPRIETARY AND CONFIDENTIAL
 THE INFORMATION CONTAINED IN THIS DRAWING IS THE SOLE PROPERTY OF LINKTECH LLC. ANY REPRODUCTION OR DISCLOSURE IN PART OR AS A WHOLE WITHOUT THE WRITTEN PERMISSION OF LINKTECH LLC IS STRICTLY PROHIBITED.