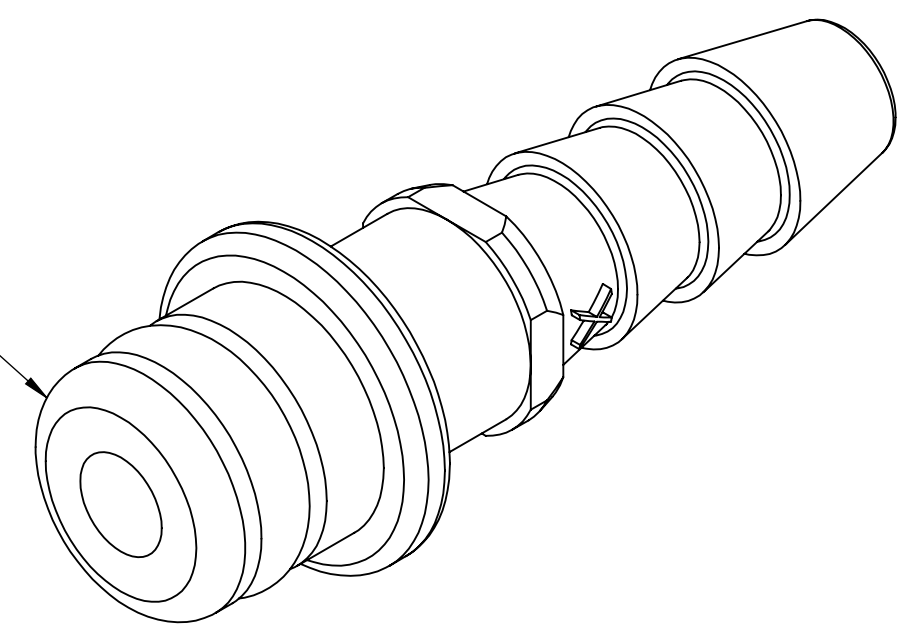
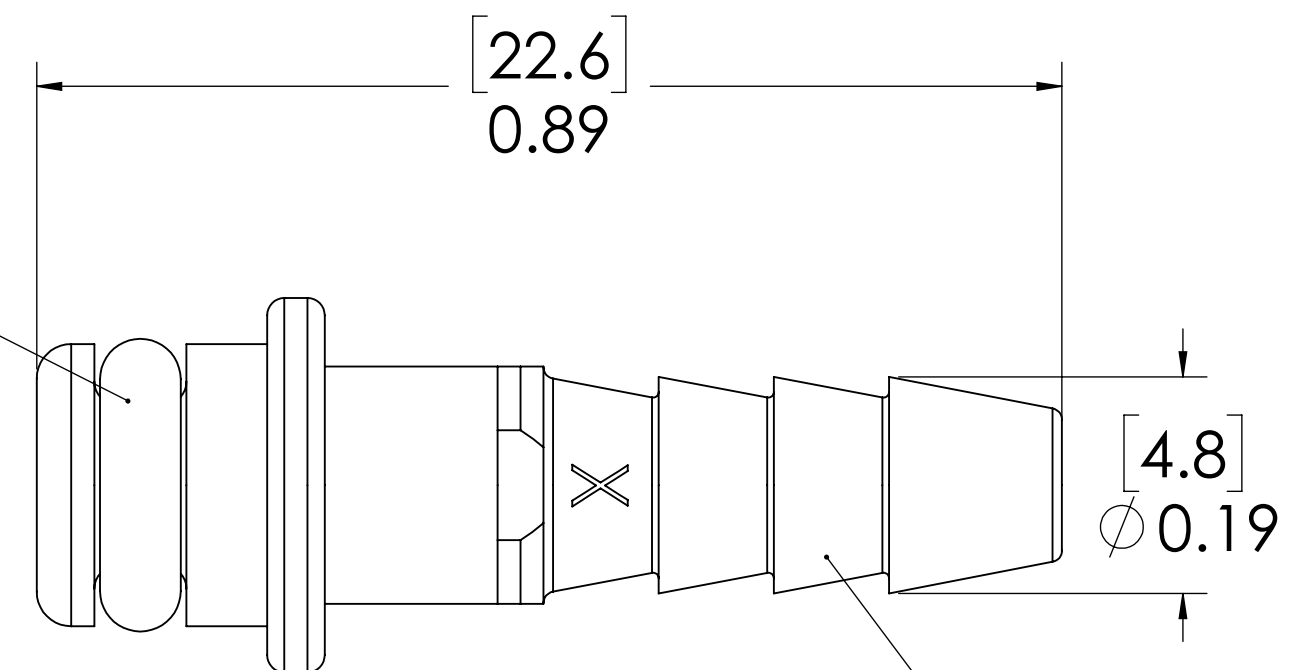


REVISIONS						
SHEET	ZONE	REV.	ECO	DESCRIPTION	DATE	APPROVED
ALL	ALL	A	50253	INITIAL RELEASE		

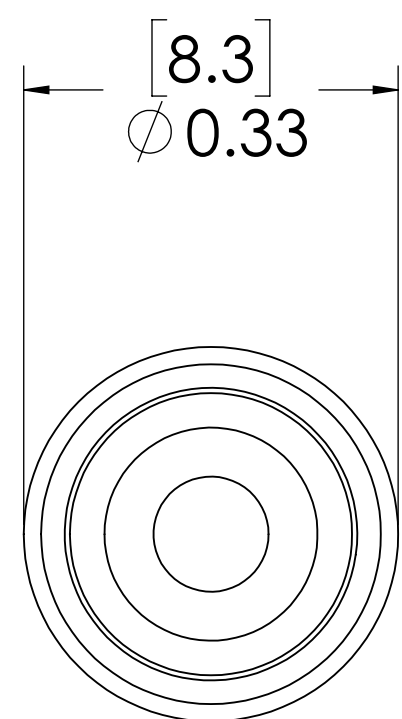
**PLUG,
(POLYPROPYLENE)**



**O-RING
(EPDM)**




1/8" TUBE ID



- NOTES:**
1. MATERIAL: POLYPROPYLENE
 2. COLOR: ALMOND, BARREL ACETAL.
 3. O-RING MATERIAL: EPDM
 4. O-RINGS LUBRICATED WITH FOOD GRADE SILICONE OIL, 350 CST.

FOR REFERENCE ONLY

<small>UNLESS OTHERWISE SPECIFIED: DIMENSIONS ARE IN INCHES TOLERANCES: FRACTIONAL ± 1/32 ANGULAR: MACH ± 0.5 BEND ± 2 ONE PLACE DECIMAL ± 0.1 TWO PLACE DECIMAL ± 0.01 THREE PLACE DECIMAL ± 0.005 TWO PLACE DUAL (mm) [± 0.12]</small>	DRAWN	RDA	3/14/2019	 PART NO: 10PP-PE2-02NS DESCRIPTION: LinkTech 10PP Series Straight Male, Non-valved, 1/8" HB, No Sleeve, Polypropylene
	CHECKED	HRC	3/14/2019	
	ENG APPR.	HRC	3/29/2019	
	MFG APPR.	BDB	3/29/2019	
<small>PROPRIETARY AND CONFIDENTIAL THE INFORMATION CONTAINED IN THIS DRAWING IS THE SOLE PROPERTY OF LINKTECH LLC. ANY REPRODUCTION OR DISCLOSURE IN PART OR AS A WHOLE WITHOUT THE WRITTEN PERMISSION OF LINKTECH LLC IS STRICTLY PROHIBITED.</small>	Q.A.	BDB	3/29/2019	<small>SIZE DWG. NO. REV</small> C 10PP100031 A
<small>COMMENTS:</small>			<small>SCALE: NTS WEIGHT: SHEET 1 OF 1</small>	