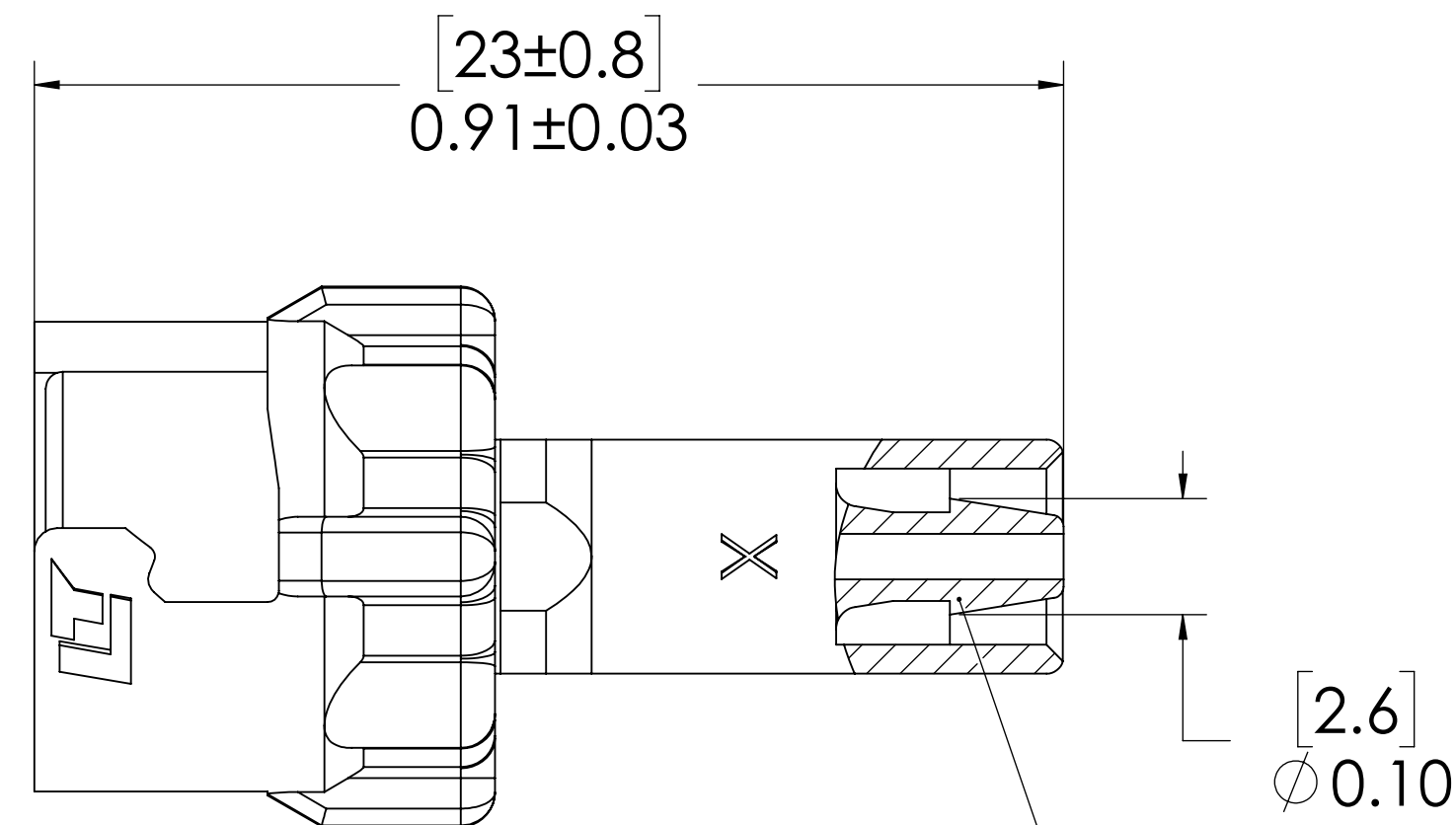
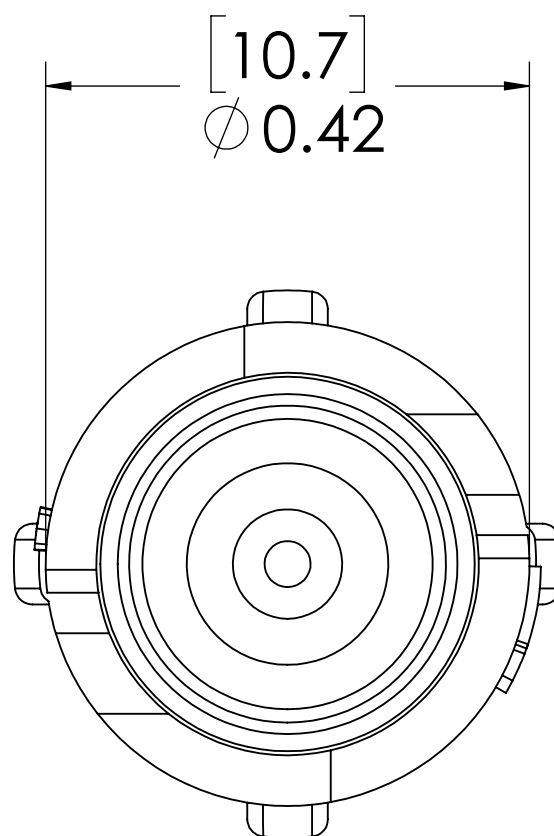
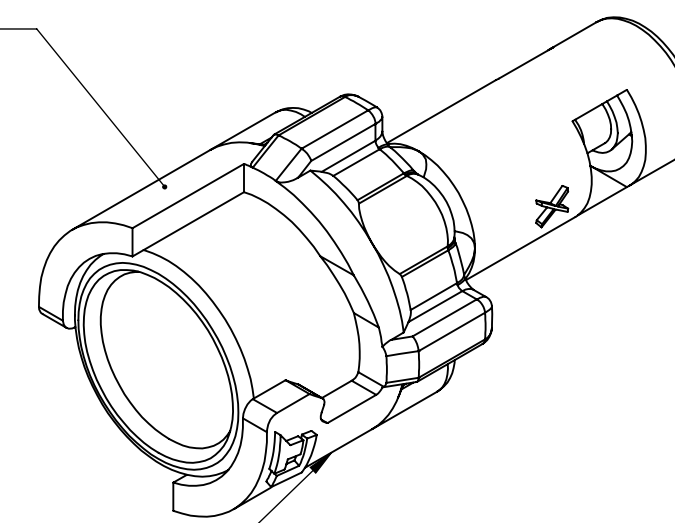


REVISIONS						
SHEET	ZONE	REV.	ECO	DESCRIPTION	DATE	APPROVED
ALL	ALL	A	50253	FORMAT UPDATE	3/29/2019	HRC

**SOCKET,  
(ACETAL)**

**LOCK SLEEVE,  
(ACETAL)**




**1/16" TUBE ID**

**FOR REFERENCE ONLY**

**NOTES:**

1. MATERIAL: POLYPROPYLENE
2. COLOR: ALMOND, BARREL ACETAL.

UNLESS OTHERWISE SPECIFIED: DIMENSIONS ARE IN INCHES TOLERANCES: FRACTIONAL ± 1/32 ANGULAR: MACH ± 0.5 BEND ± 2 ONE PLACE DECIMAL ± 0.1 TWO PLACE DECIMAL ± 0.01 THREE PLACE DECIMAL ± 0.005 TWO PLACE DECIMAL (mm) [± 0.12]	DRAWN	RDA	3/15/2019	 <b>PART NO: 10PP-S2-01</b>
	CHECKED	HRC	3/15/2019	
<b>PROPRIETARY AND CONFIDENTIAL</b>  THE INFORMATION CONTAINED IN THIS DRAWING IS THE SOLE PROPERTY OF LINKTECH LLC. ANY REPRODUCTION OR DISCLOSURE IN PART OR AS A WHOLE WITHOUT THE WRITTEN PERMISSION OF LINKTECH LLC IS STRICTLY PROHIBITED.	ENG APPR.	HRC	3/29/2019	<b>DESCRIPTION:</b> <b>LinkTech 10PP Series Straight Female, Non-valved, 116 HB, Polypropylene</b>
	MFG APPR.	BDB	3/29/2019	
	Q.A.	BDB	3/29/2019	
COMMENTS:				SIZE DWG. NO. REV <b>C 10PP100020 A</b>
SCALE: NTS WEIGHT:			SHEET 1 OF 1	