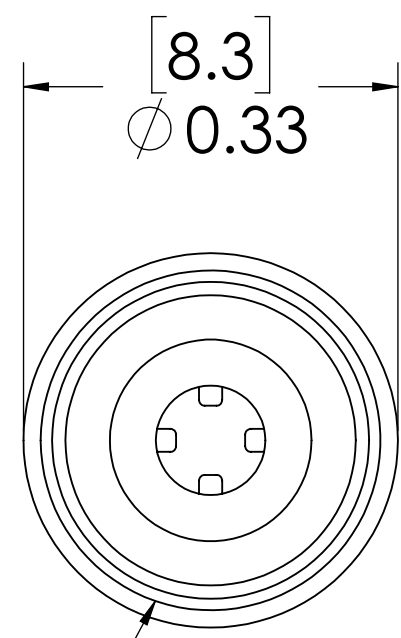
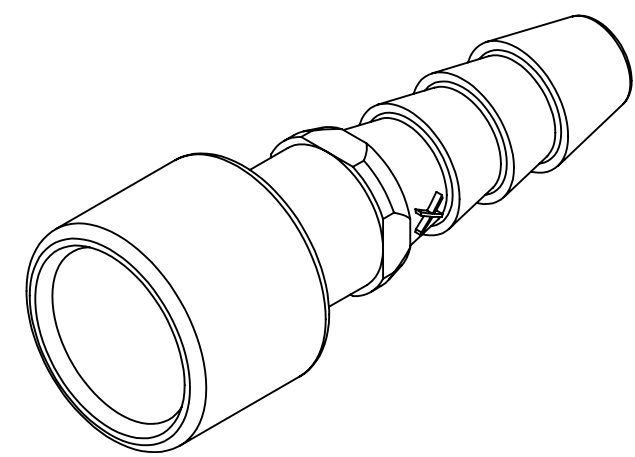
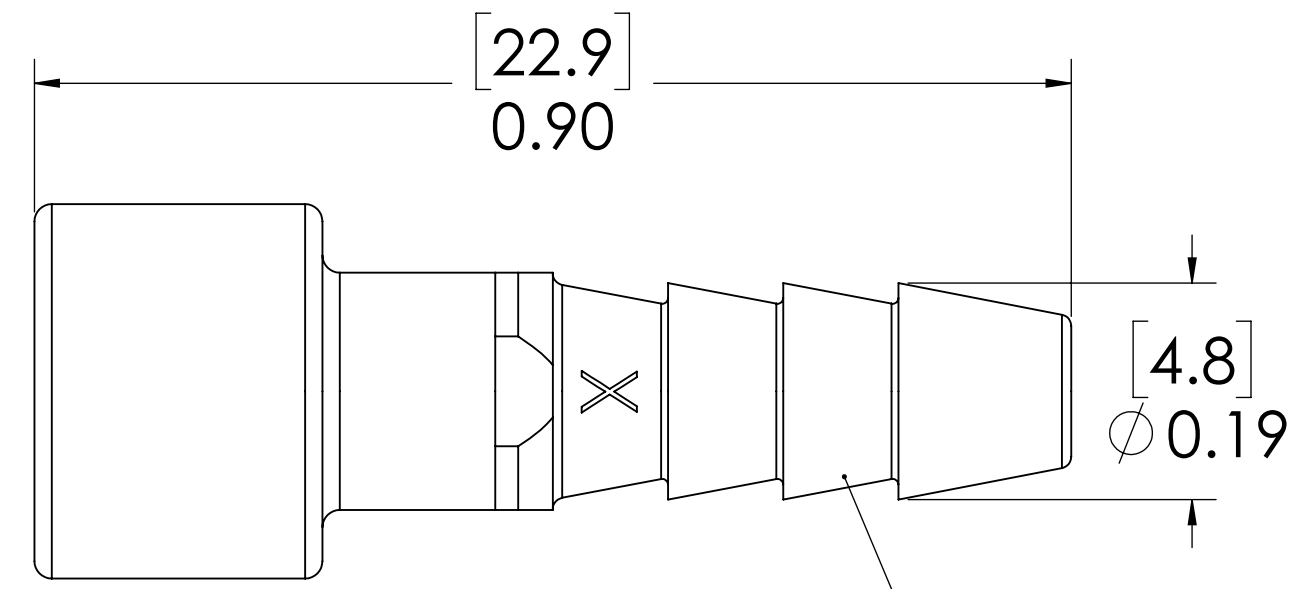


REVISIONS						
SHEET	ZONE	REV.	ECO	DESCRIPTION	DATE	APPROVED
1	ALL	A	50253	INITIAL RELEASE	3/29/2019	HRC



**SOCKET,
(POLYPROPYLENE)**



- NOTES:**
- MATERIAL: POLYPROPYLENE
 - COLOR: ALMOND

FOR REFERENCE ONLY

<small>UNLESS OTHERWISE SPECIFIED: DIMENSIONS ARE IN INCHES TOLERANCES: FRACTIONAL ± 1/32 ANGULAR, MACH ± 0.5 BEND ± 2 ONE PLACE DECIMAL ± 0.1 TWO PLACE DECIMAL ± 0.01 THREE PLACE DECIMAL ± 0.005 TWO PLACE DUAL (mm) [± 0.12]</small>	DRAWN	RDA	3/18/2019	
	CHECKED	HRC	3/18/2019	
	ENG APPR.	HRC	3/29/2019	
	MFG APPR.	BDB	3/29/2019	
<small>PROPRIETARY AND CONFIDENTIAL</small>	Q.A.	BDB	3/29/2019	PART NO: 10PP-S2-02NS DESCRIPTION: LinkTech 10PP Series Straight Female, Non-valved, 125 HB, No Sleeve, Polypropylen
<small>THE INFORMATION CONTAINED IN THIS DRAWING IS THE SOLE PROPERTY OF LINKTECH LLC. ANY REPRODUCTION OR DISCLOSURE IN PART OR AS A WHOLE WITHOUT THE WRITTEN PERMISSION OF LINKTECH LLC IS STRICTLY PROHIBITED.</small>	COMMENTS:			SIZE DWG. NO. REV C 10PP100025 A
	SCALE: NTS	WEIGHT:		SHEET 1 OF 1