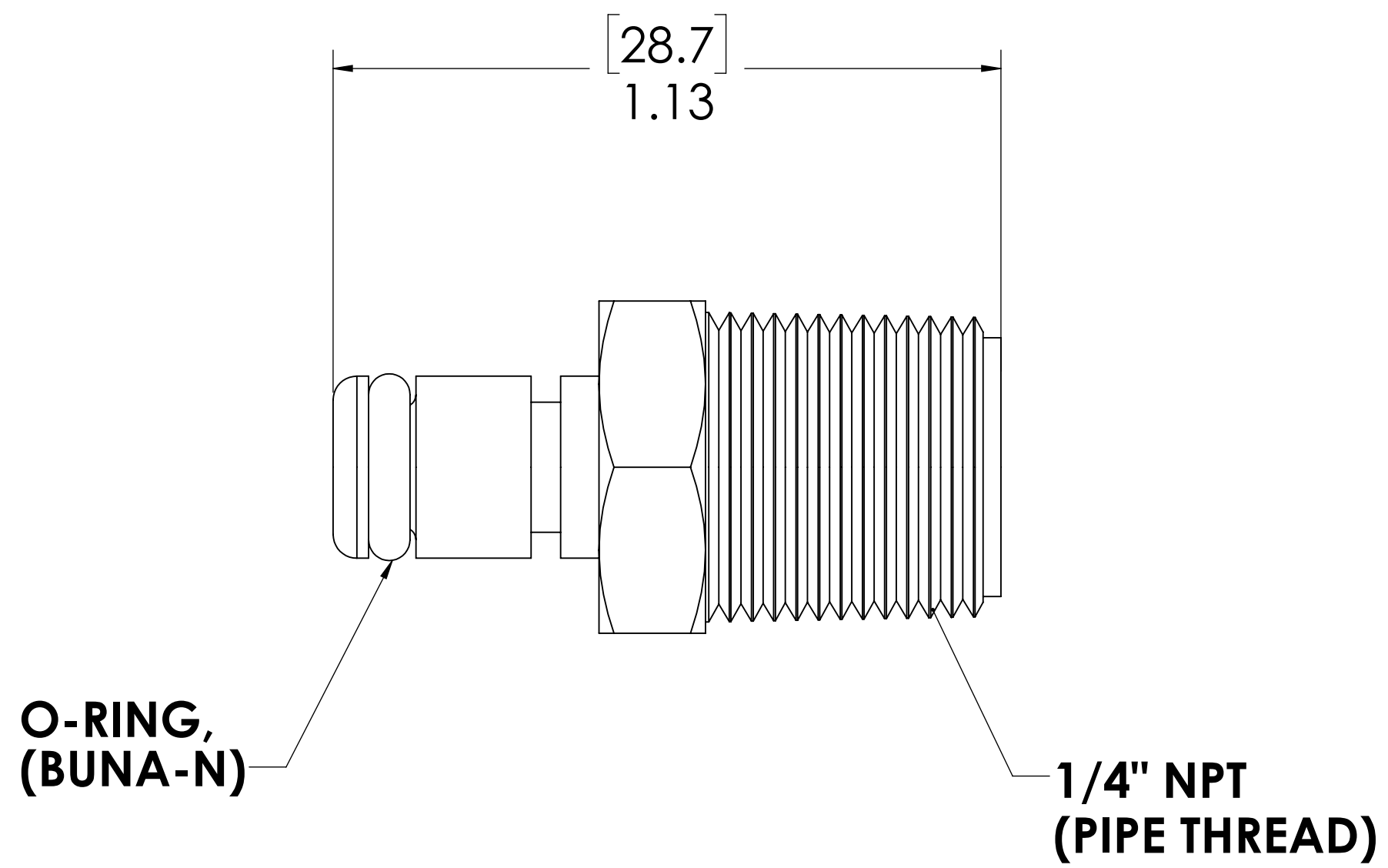
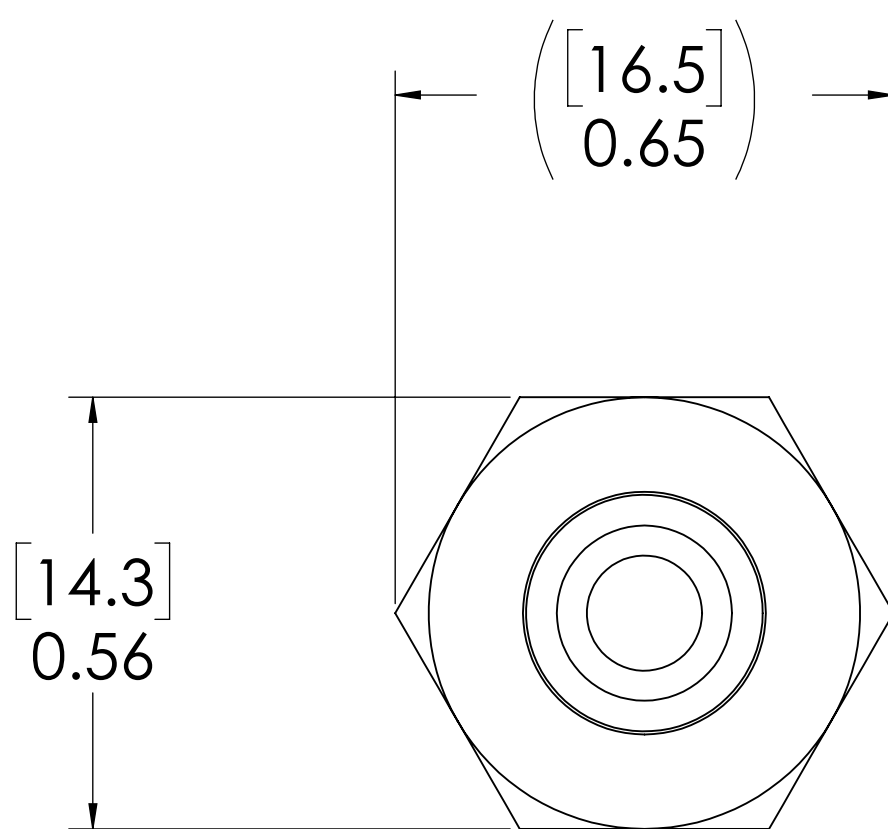
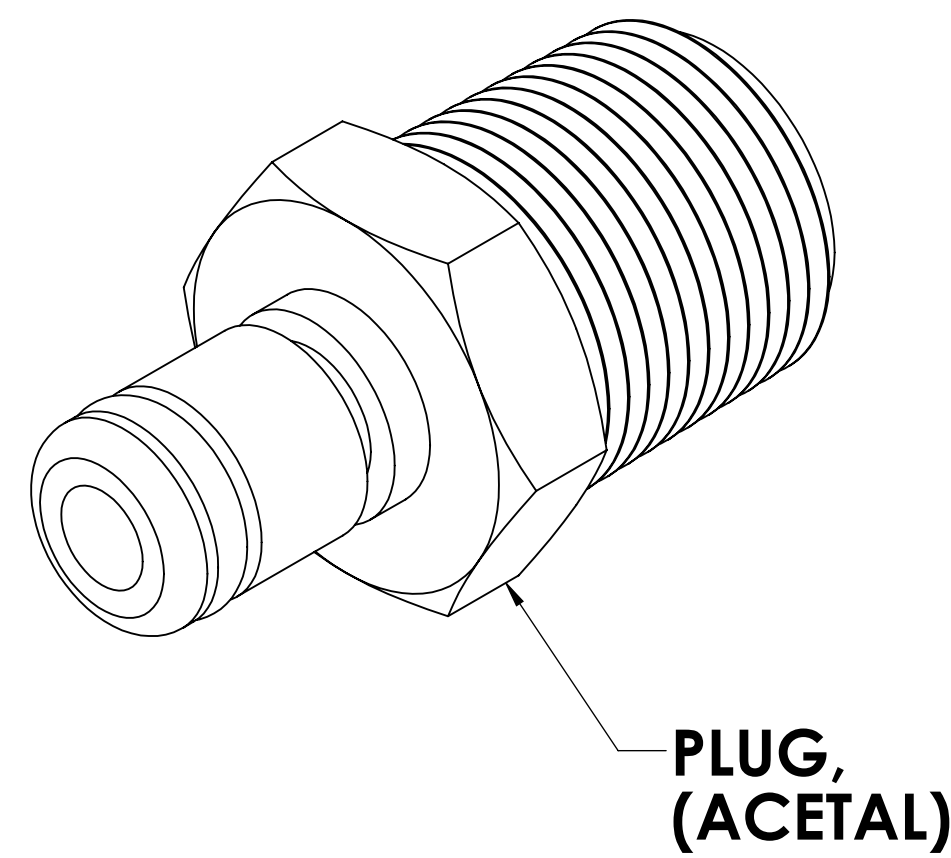



REVISIONS						
SHEET	ZONE	REV.	ECO	DESCRIPTION	DATE	APPROVED
1	ALL	A	50253	2017 FORMAT UPDATE	6/4/2018	HRC



- NOTES:**
1. MATERIAL: ACETAL
  2. COLOR: NATURAL WHITE
  3. O-RING MATERIAL: BUNA-N
  4. O-RINGS LUBRICATED WITH FOOD GRADE SILICONE OIL, 350 CST.

**FOR REFERENCE ONLY**

<small>UNLESS OTHERWISE SPECIFIED:          DIMENSIONS ARE IN INCHES          TOLERANCES:          FRACTIONAL ± 1/32          ANGULAR, MACH ± 0.5 BEND ± 2          ONE PLACE DECIMAL ± 0.1          TWO PLACE DECIMAL ± 0.01          THREE PLACE DECIMAL ± 0.005          TWO PLACE DUAL (mm) [± 0.12]</small>	DRAWN	RDA	5/24/2018	 <b>PART NO: 20AC-PB1-04</b> DESCRIPTION: <b>LinkTech 20AC Series Male Thread Male, Non-valved, 250 MNPT, Natural Acetal</b>
	CHECKED	HRC	5/24/18	
	ENG APPR.	HRC	6/4/18	
	MFG APPR.	BDB	6/4/18	
PRODUCTION	LS	6/4/18	COMMENTS:	
<small>PROPRIETARY AND CONFIDENTIAL          THE INFORMATION CONTAINED IN THIS DRAWING IS THE SOLE PROPERTY OF LINKTECH LLC. ANY REPRODUCTION OR DISCLOSURE IN PART OR AS A WHOLE WITHOUT THE WRITTEN PERMISSION OF LINKTECH LLC IS STRICTLY PROHIBITED.</small>	SIZE	DWG. NO.	REV	SCALE: NTS WEIGHT: SHEET 1 OF 1
	<b>C</b>	<b>20AC200409</b>	<b>A</b>	