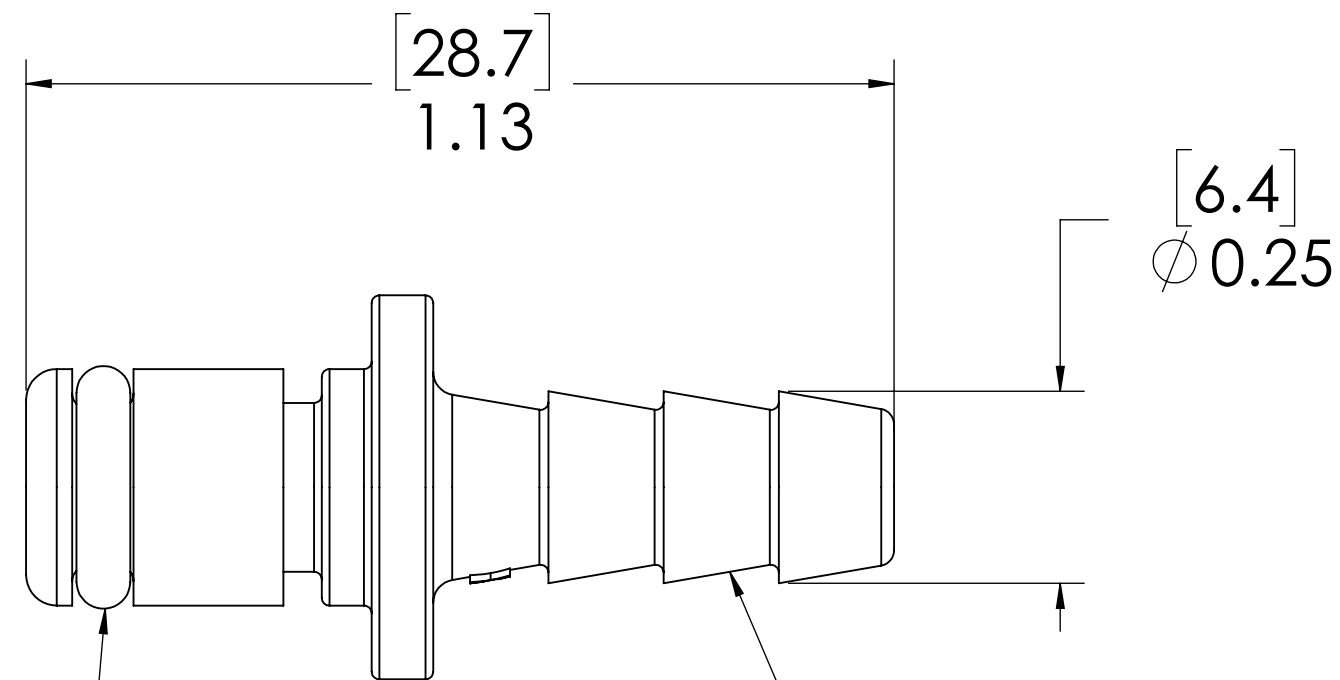
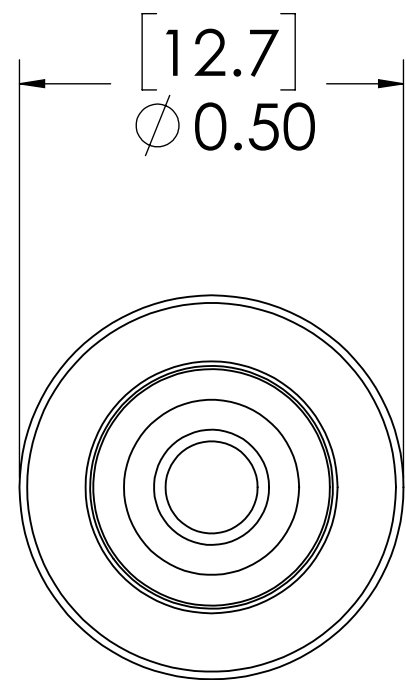
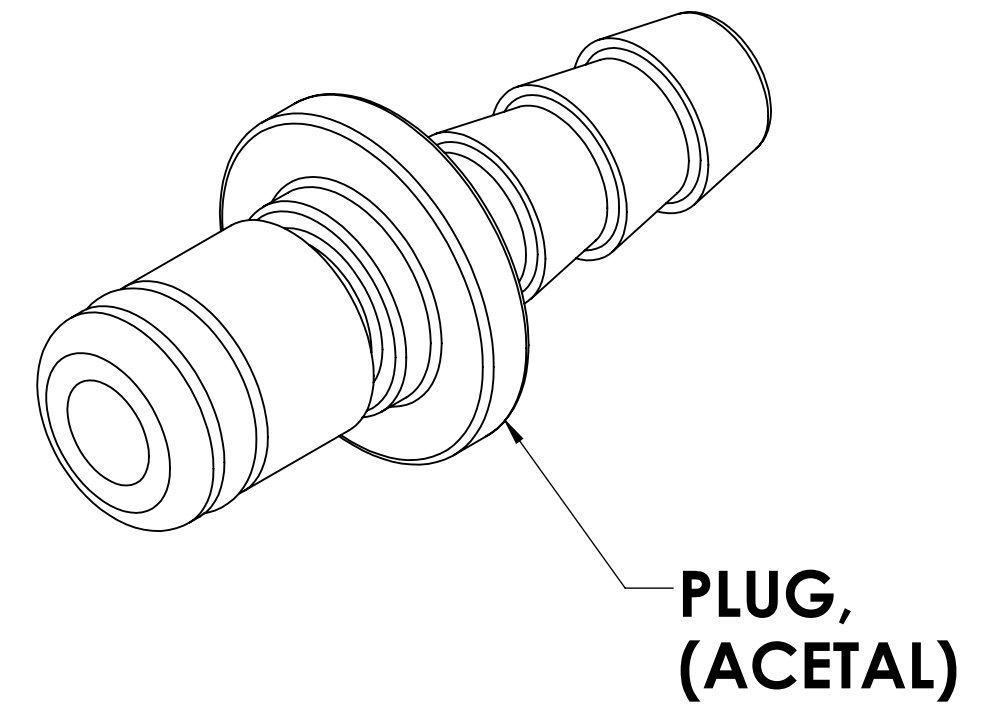


REVISIONS						
SHEET	ZONE	REV.	ECO	DESCRIPTION	DATE	APPROVED
1	F-7	A	50234	ADDED LUBRICATION ON BOM AND UPDATE DRAWING FORMAT AND NOTES	3/15/17	HRC
1	ALL	B	50253	UPDATE DWG TO CURRENT FORMAT & STANDARDS	5/15/2018	HRC




O-RING,
(BUNA-N)

3/16" TUBE ID

NOTES:

1. MATERIAL: ACETAL
2. COLOR: NATURAL WHITE
3. O-RING MATERIAL: BUNA-N
4. O-RINGS LUBRICATED WITH FOOD GRADE SILICONE OIL, 350 CST.

FOR REFERENCE ONLY

<small>UNLESS OTHERWISE SPECIFIED: DIMENSIONS ARE IN INCHES TOLERANCES: FRACTIONAL ± 1/32 ANGULAR: MACH ± 0.5 BEND ± 2 ONE PLACE DECIMAL ± 0.1 TWO PLACE DECIMAL ± 0.01 THREE PLACE DECIMAL ± 0.005 TWO PLACE DUAL (mm) [± 0.12]</small>	<small>DRAWN</small> DHJ <small>ER</small>	<small>DATE</small> 04-28-11 <small>08-11-17</small>	 <small>PART NO:</small> 20AC-PB2-03 <small>DESCRIPTION:</small> LinkTech 20AC Series Straight Male, Non-valved, 3/16" HB, Natural Acetal
	<small>CHECKED</small> HRC	<small>DATE</small> 3-13-17	
	<small>ENG APPR.</small> HRC	<small>DATE</small> 3-15-17	
	<small>MFG APPR.</small> BDB	<small>DATE</small> 3-15-17	
<small>PROPRIETARY AND CONFIDENTIAL</small> <small>THE INFORMATION CONTAINED IN THIS DRAWING IS THE SOLE PROPERTY OF LINKTECH LLC. ANY REPRODUCTION OR DISCLOSURE IN PART OR AS A WHOLE WITHOUT THE WRITTEN PERMISSION OF LINKTECH LLC IS STRICTLY PROHIBITED.</small>	<small>Q.A.</small> JJB	<small>DATE</small> 3-15-17	<small>SCALE: NTS</small> <small>WEIGHT:</small> <small>SHEET 1 OF 1</small>

20AC-PB2-03

LinkTech 20AC Series Straight Male, Non-valved, 3/16" HB, Natural Acetal

SIZE DWG. NO. REV
C 20AC200151 B