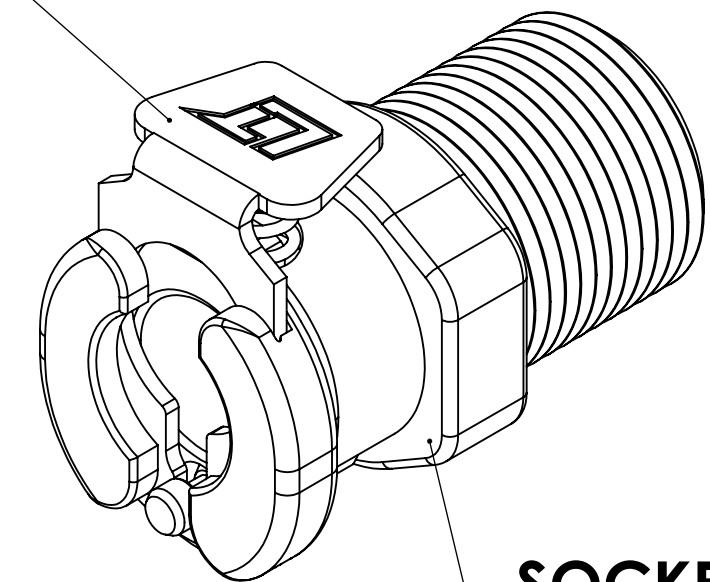
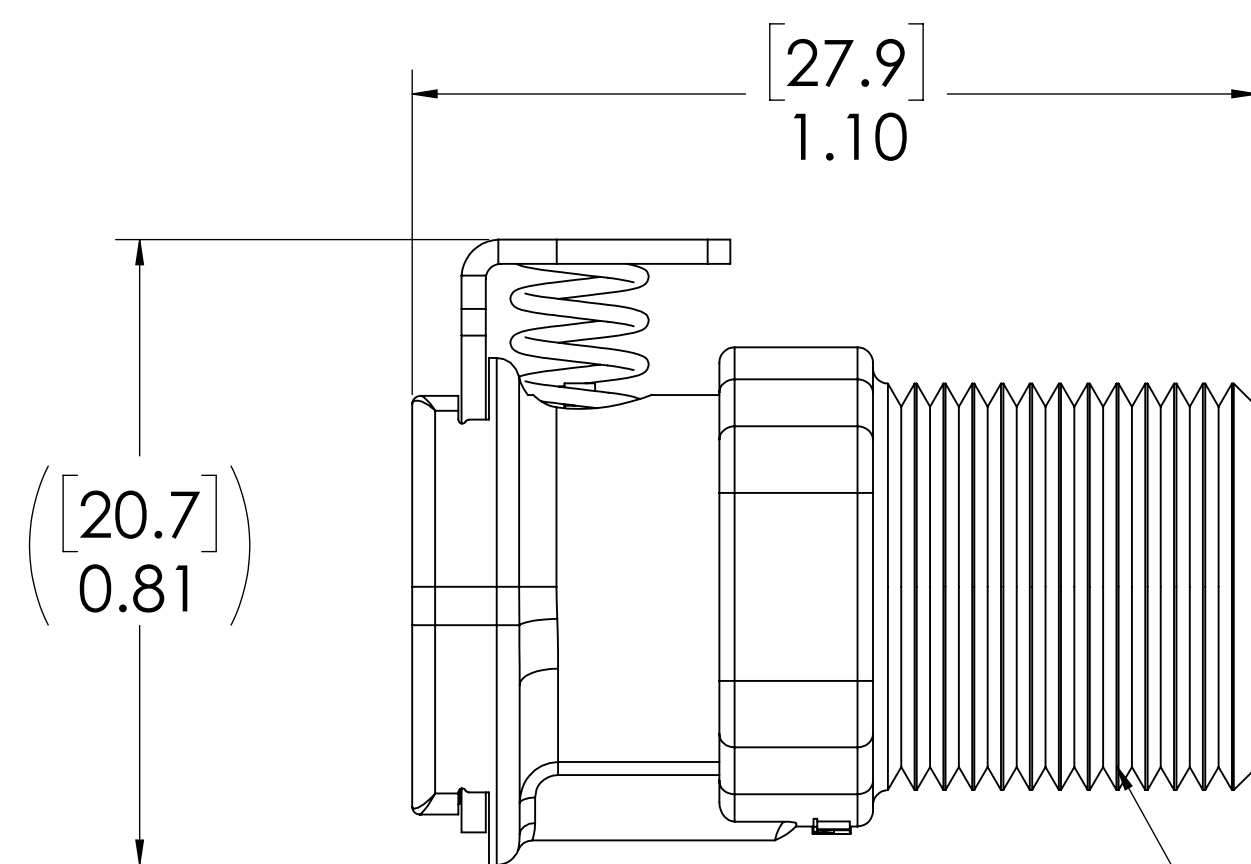
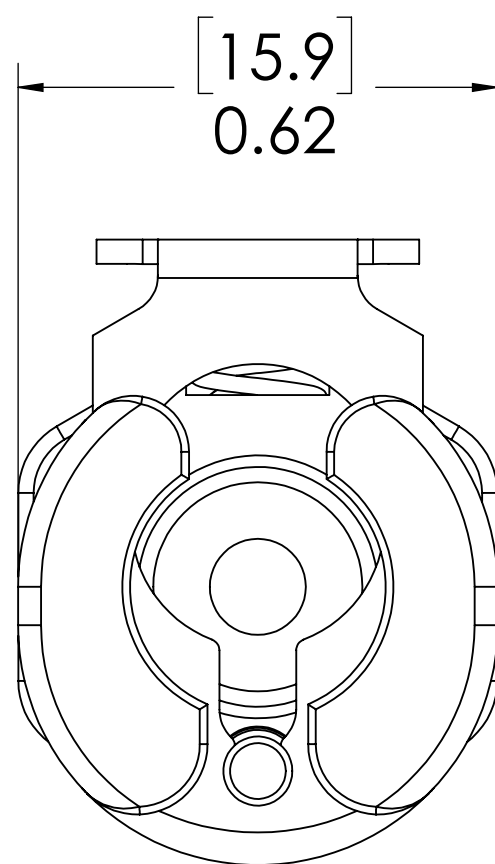


REVISIONS						
SHEET	ZONE	REV.	ECO	DESCRIPTION	DATE	APPROVED
1	ALL	A	50242	PIN, PIN SPRING & 2017 FORMAT UPDATE	6/28/2018	HRC

**LATCH HARDWARE
(STAINLESS STEEL)**



**SOCKET,
(ACETAL)**




**1/4" NPT
(PIPE THREAD)**

NOTES:

- MATERIAL: ACETAL
- COLOR: NATURAL WHITE

FOR REFERENCE ONLY

UNLESS OTHERWISE SPECIFIED: DIMENSIONS ARE IN INCHES TOLERANCES: FRACTIONAL ± 1/32 ANGULAR, MACH ± 0.5 BEND ± 2 ONE PLACE DECIMAL ± 0.1 TWO PLACE DECIMAL ± 0.01 THREE PLACE DECIMAL ± 0.005 TWO PLACE DUAL (mm) [± 0.12]	DRAWN	MMJ	7/12/2017	 PART NO: 20AC-S1-04 DESCRIPTION: LinkTech 20AC Series Male Thread Female, Non-valved, 1/4" MNPT, Natural Acetal SIZE DWG. NO. REV C 20AC200379 A SCALE: NTS WEIGHT: SHEET 1 OF 1
	CHECKED	HRC	7-12-17	
	ENG APPR.	HRC	6/28/18	
	MFG APPR.	BDB	6/28/18	
PROPRIETARY AND CONFIDENTIAL	Q.A.	JJB	6/28/18	
THE INFORMATION CONTAINED IN THIS DRAWING IS THE SOLE PROPERTY OF LINKTECH LLC. ANY REPRODUCTION OR DISCLOSURE IN PART OR AS A WHOLE WITHOUT THE WRITTEN PERMISSION OF LINKTECH LLC IS STRICTLY PROHIBITED.	COMMENTS:			