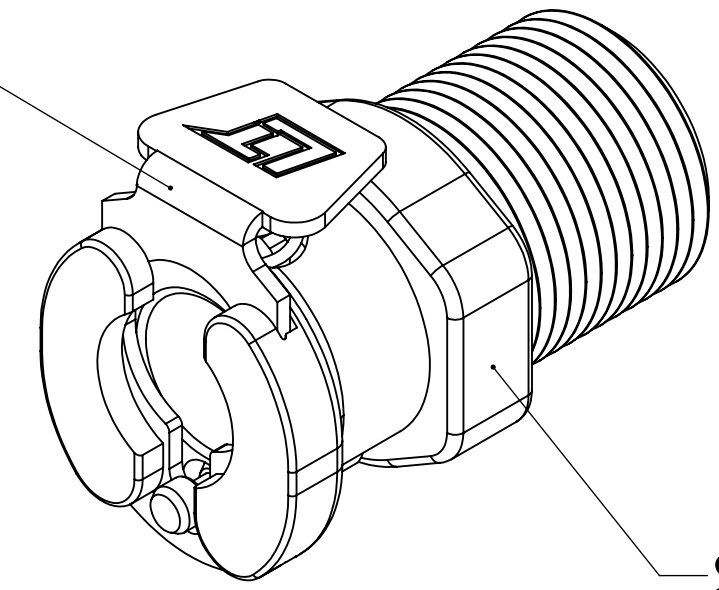
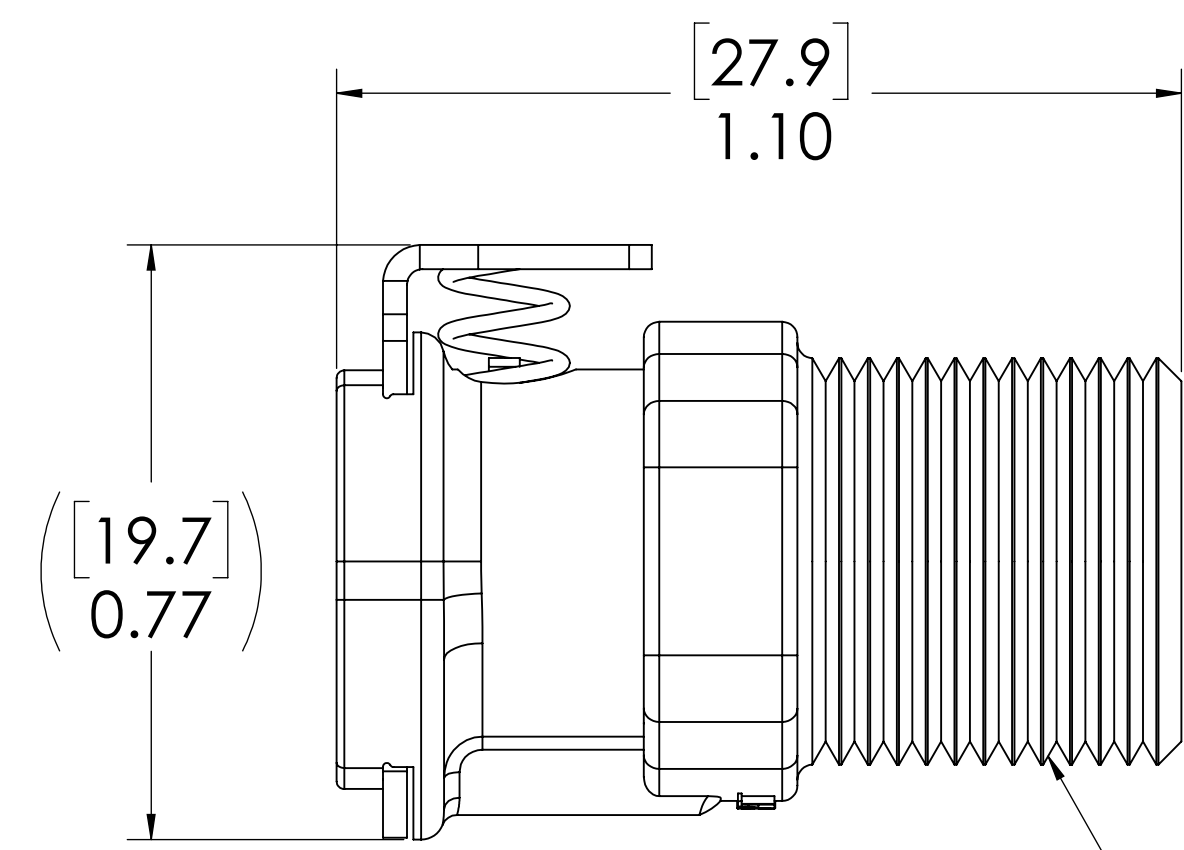
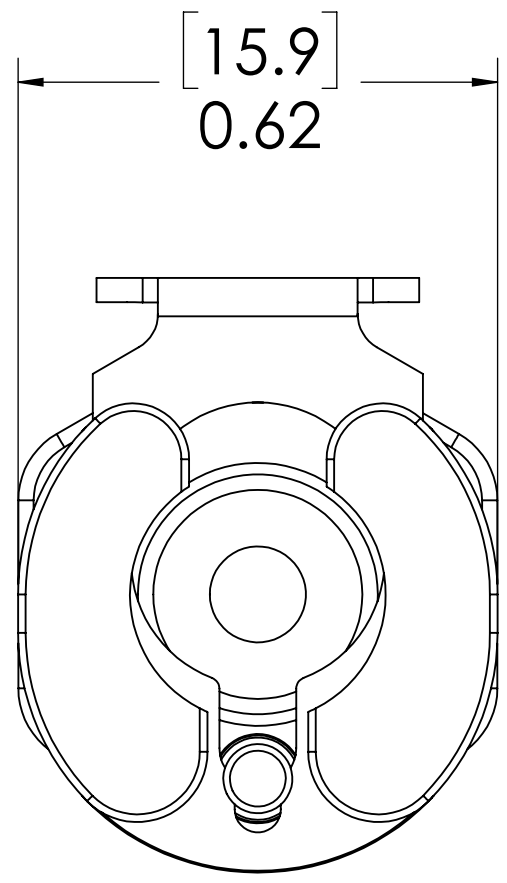


REVISIONS						
SHEET	ZONE	REV.	ECO	DESCRIPTION	DATE	APPROVED
1	ALL	A	50242	INITIAL RELEASE	1/9/2020	HRC

**LATCH HARDWARE  
(STAINLESS STEEL)**



**SOCKET,  
(ACETAL)**




**1/4" BSPT  
(PIPE THREADS)**

**NOTES:**

1. MATERIAL: ACETAL
2. COLOR: NATURAL WHITE

**FOR REFERENCE ONLY**

UNLESS OTHERWISE SPECIFIED: DIMENSIONS ARE IN INCHES TOLERANCES: FRACTIONAL ± 1/32 ANGULAR: MACH ± 0.5 BEND ± 2 ONE PLACE DECIMAL ± 0.1 TWO PLACE DECIMAL ± 0.01 THREE PLACE DECIMAL ± 0.005 TWO PLACE DUAL (mm) [± 0.12]	DRAWN	CGS	6/5/18	 PART NO. <b>20AC-S1-04BSPT</b>
	CHECKED	HRC	6/5/18	
	ENG APPR.	HRC	1/9/20	
	MFG APPR.	BDB	1/9/20	
PROPRIETARY AND CONFIDENTIAL	Q.A.	LS	1/9/20	DESCRIPTION: LinkTech 20AC Series Male Thread Female, Non-valved, 1/4" BSPT, Natural Acetal
THE INFORMATION CONTAINED IN THIS DRAWING IS THE SOLE PROPERTY OF LINKTECH LLC. ANY REPRODUCTION OR DISCLOSURE IN PART OR AS A WHOLE WITHOUT THE WRITTEN PERMISSION OF LINKTECH LLC IS STRICTLY PROHIBITED.	COMMENTS:			SIZE DWG. NO. REV <b>C</b> 20AC200393 <b>A</b>
	SCALE: NTS		WEIGHT:	SHEET 1 OF 1