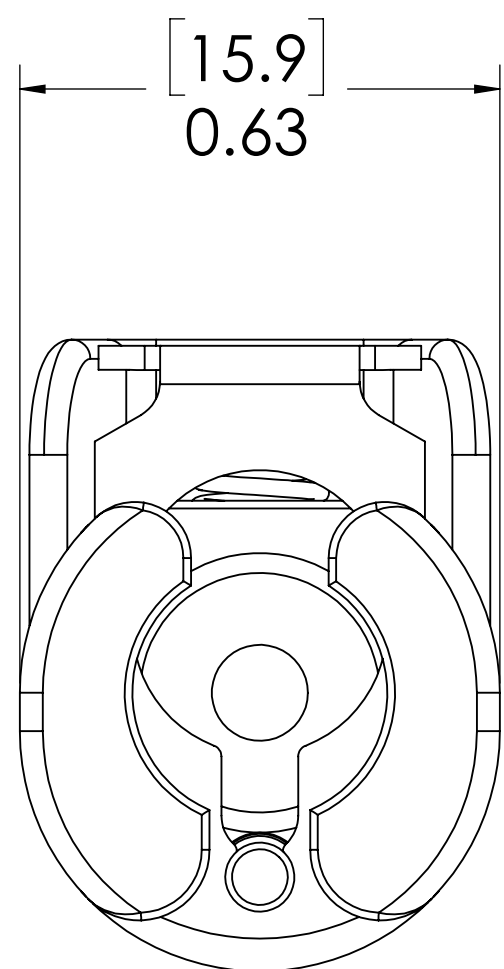
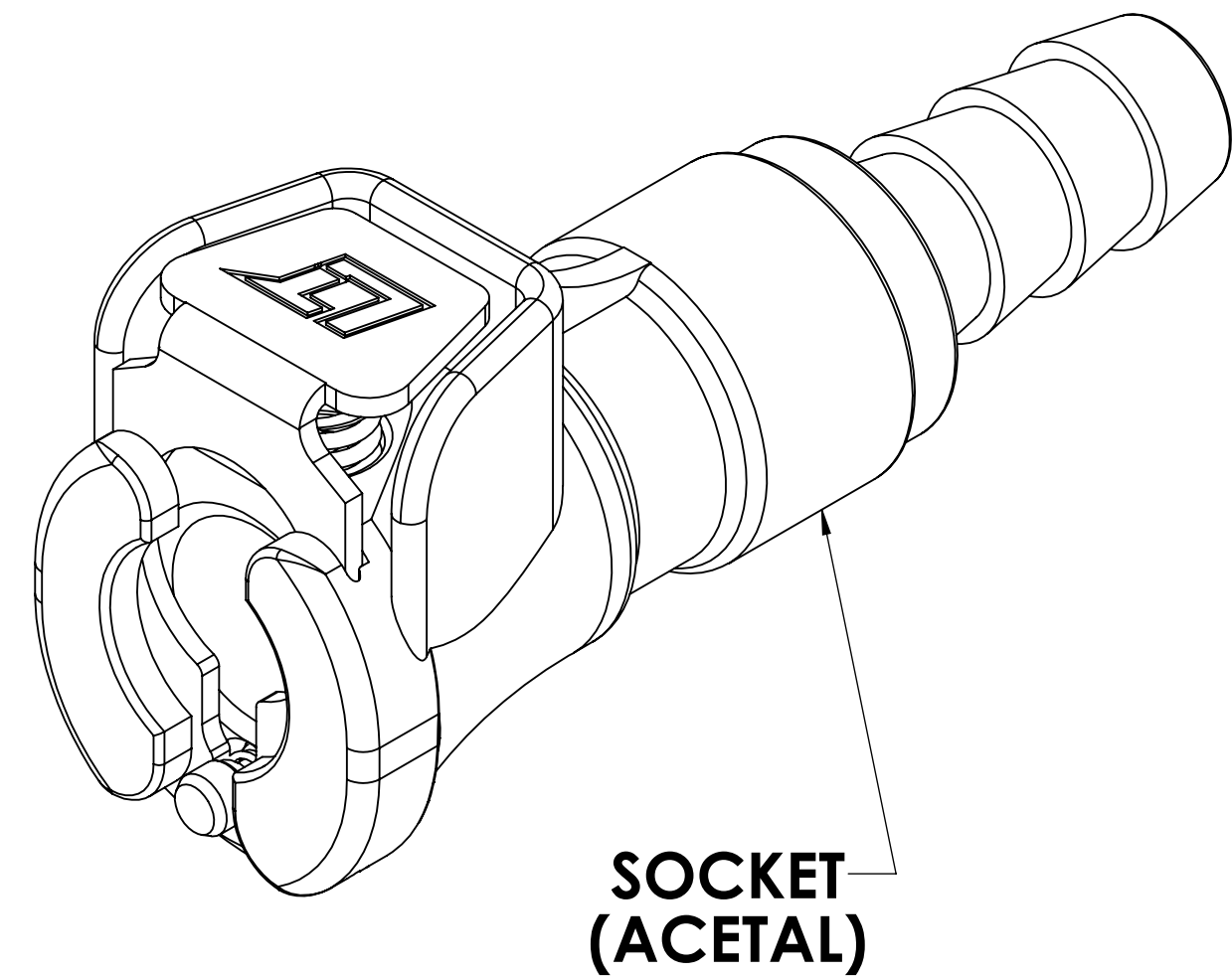
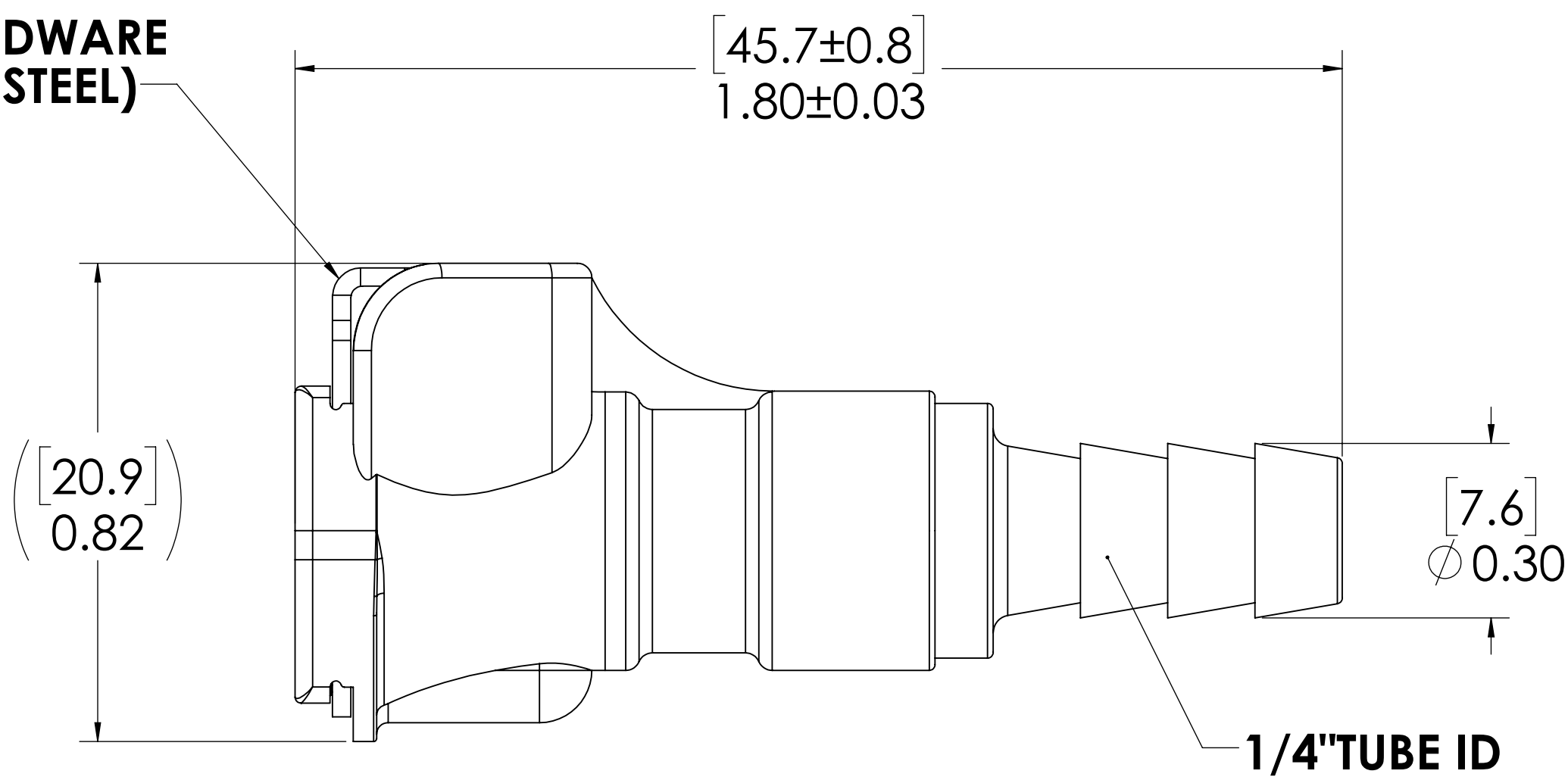


REVISIONS						
SHEET	ZONE	REV.	ECO	DESCRIPTION	DATE	APPROVED
1	ALL	A	50242	PIN, PIN SPRING & 2017 FORMAT UPDATE	6/28/2018	HRC




**LATCH HARDWARE
(STAINLESS STEEL)**



NOTES:

- MATERIAL: ACETAL
- COLOR: NATURAL WHITE

FOR REFERENCE ONLY

<small>UNLESS OTHERWISE SPECIFIED: DIMENSIONS ARE IN INCHES TOLERANCES: FRACTIONAL ±1/32 ANGULAR: MACH ±0.5 BEND ±2 ONE PLACE DECIMAL ±0.1 TWO PLACE DECIMAL ±0.01 THREE PLACE DECIMAL ±0.005 TWO PLACE DUAL (mm) [±0.12]</small>	DRAWN	CBH	7/27/2017	 PART NO: 20AC-S2-04 DESCRIPTION: LinkTech 20AC Series Straight Female, Non-valved, 1/4" HB, Natural Acetal
	CHECKED	HRC	7/27/17	
	ENG APPR.	HRC	6/28/18	
	MFG APPR.	BDB	6/28/18	
<small>PROPRIETARY AND CONFIDENTIAL THE INFORMATION CONTAINED IN THIS DRAWING IS THE SOLE PROPERTY OF LINKTECH LLC. ANY REPRODUCTION OR DISCLOSURE IN PART OR AS A WHOLE WITHOUT THE WRITTEN PERMISSION OF LINKTECH LLC IS STRICTLY PROHIBITED.</small>	PRODUCTION	LS	6/28/18	SIZE DWG. NO. REV C 20AC200256 A
COMMENTS:			SCALE: NTS WEIGHT:	SHEET 1 OF 1