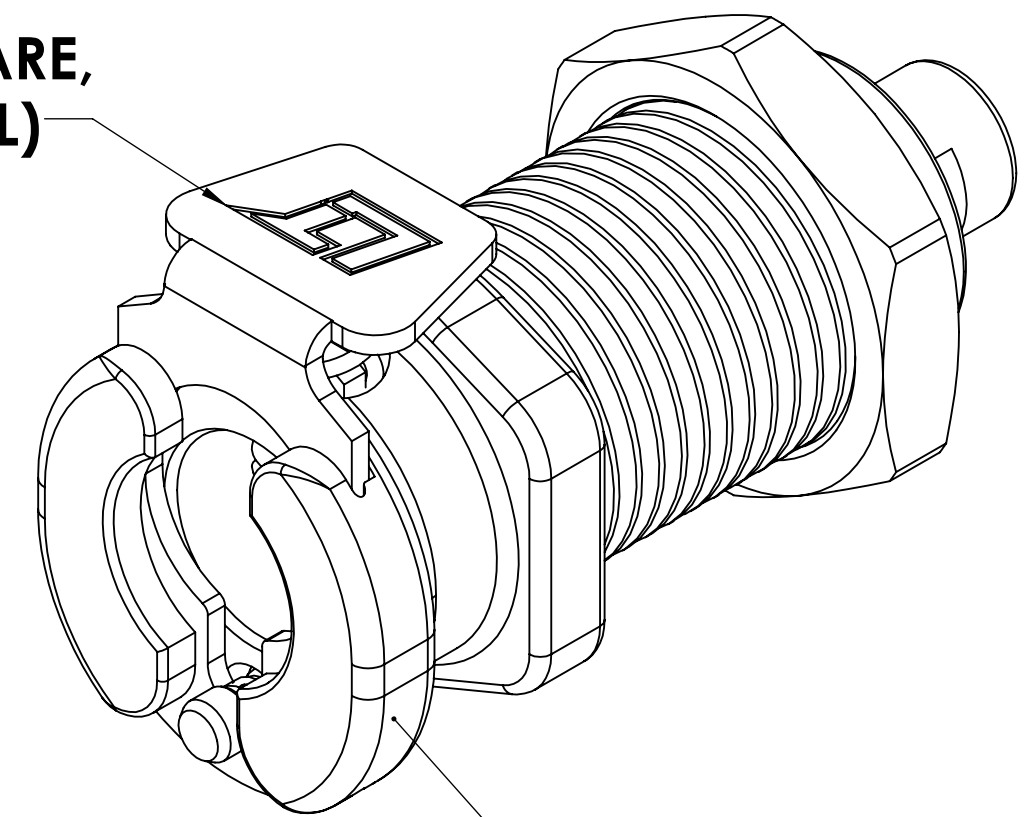
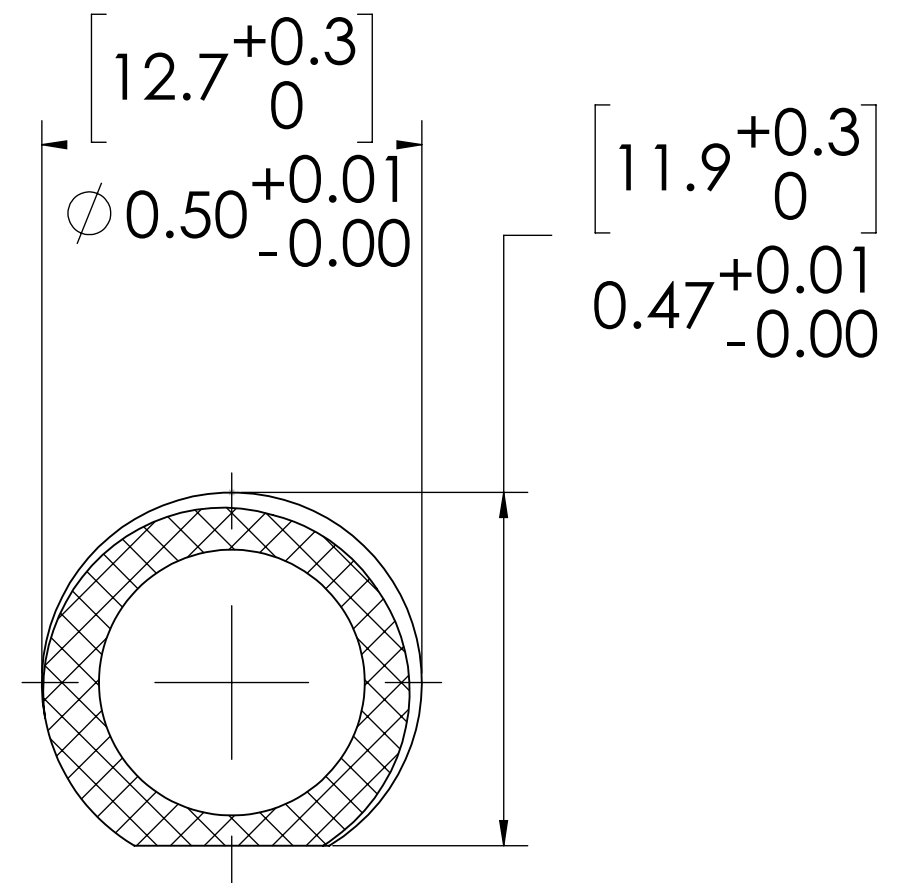
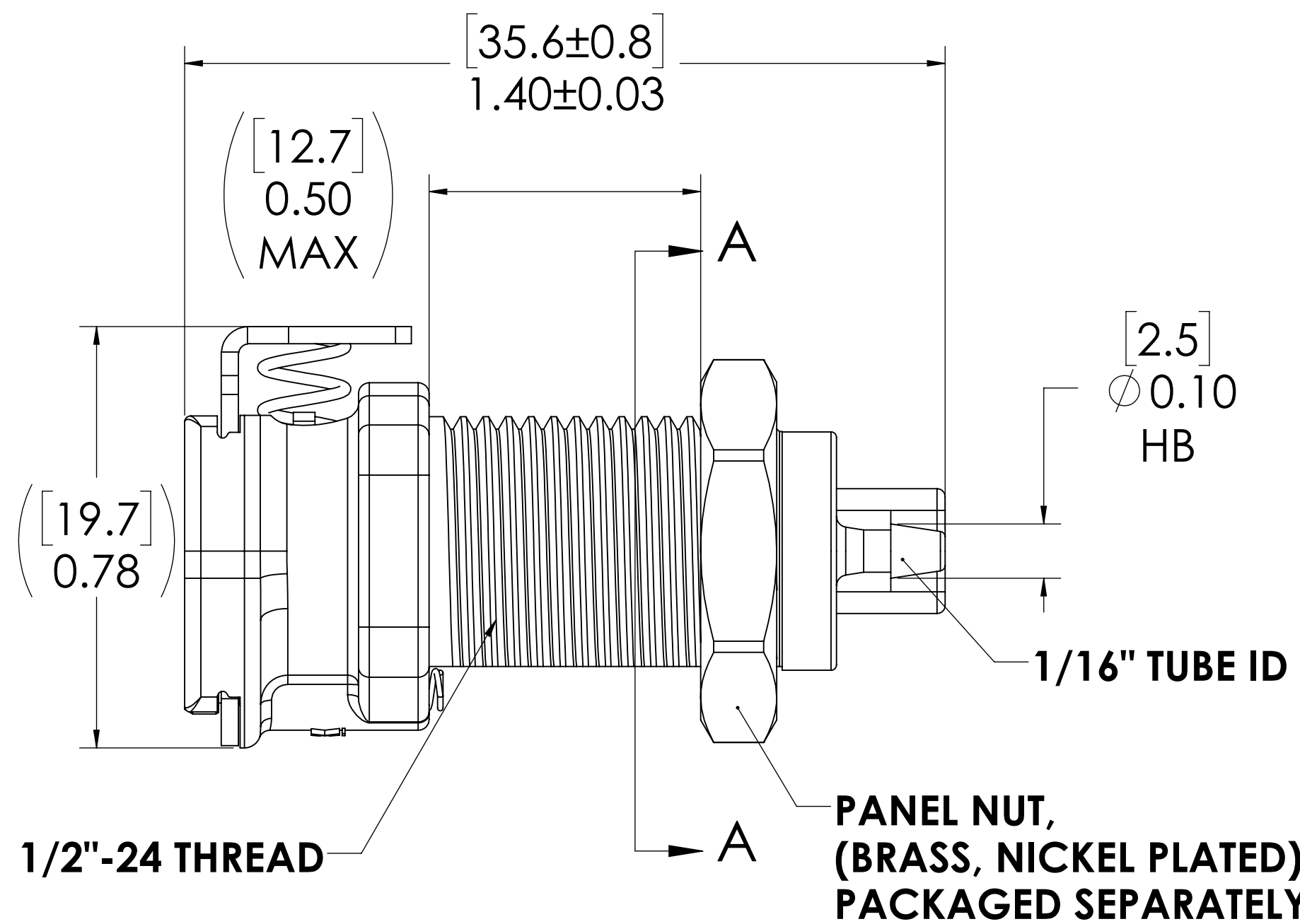
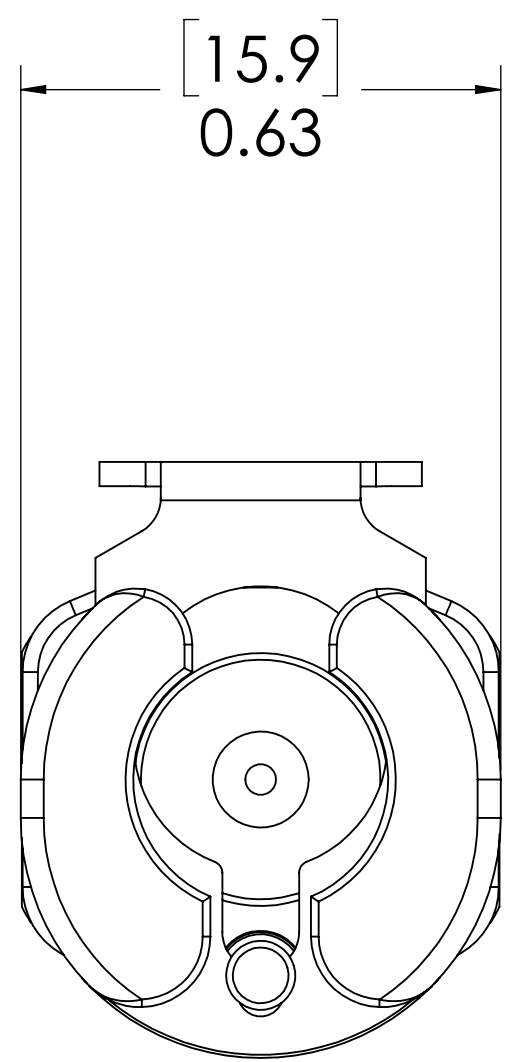


REVISIONS						
SHEET	ZONE	REV.	ECO	DESCRIPTION	DATE	APPROVED
1	ALL	A	50242	PIN, PIN SPRING & 2017 FORMAT UPDATE	4/12/2018	HRC

**LATCH HARDWARE,  
(STAINLESS STEEL)**



**SOCKET,  
(ACETAL)**



**PANEL OPENING  
(SECTION A-A)**

**FOR REFERENCE ONLY**

- NOTES:**
- MATERIAL: ACETAL
  - COLOR: NATURAL WHITE

<small>UNLESS OTHERWISE SPECIFIED: DIMENSIONS ARE IN INCHES TOLERANCES: FRACTIONAL ± 1/32 ANGULAR, MACH ± 0.5 BEND ± 2 ONE PLACE DECIMAL ± 0.1 TWO PLACE DECIMAL ± 0.01 THREE PLACE DECIMAL ± 0.005 TWO PLACE DECIMAL (mm) ± 0.12</small>	DRAWN	ER	10-02-17	
	CHECKED	HRC	10-02-17	
	ENG APPR.	HRC	4/12/18	
	MFG APPR.	BDB	4/12/18	
<small>PROPRIETARY AND CONFIDENTIAL THE INFORMATION CONTAINED IN THIS DRAWING IS THE SOLE PROPERTY OF LINKTECH LLC. ANY REPRODUCTION OR DISCLOSURE IN PART OR AS A WHOLE WITHOUT THE WRITTEN PERMISSION OF LINKTECH LLC IS STRICTLY PROHIBITED.</small>	PURCHASING	RK	4/12/18	PART NO: 20AC-S3-01 DESCRIPTION: LinkTech 20AC Series Panel Mt. Female, Non-valved, 1/16" HB, Natural Acetal SIZE DWG. NO. REV <b>C</b> 20AC200357 <b>A</b>
SCALE: NTS			WEIGHT:	SHEET 1 OF 1