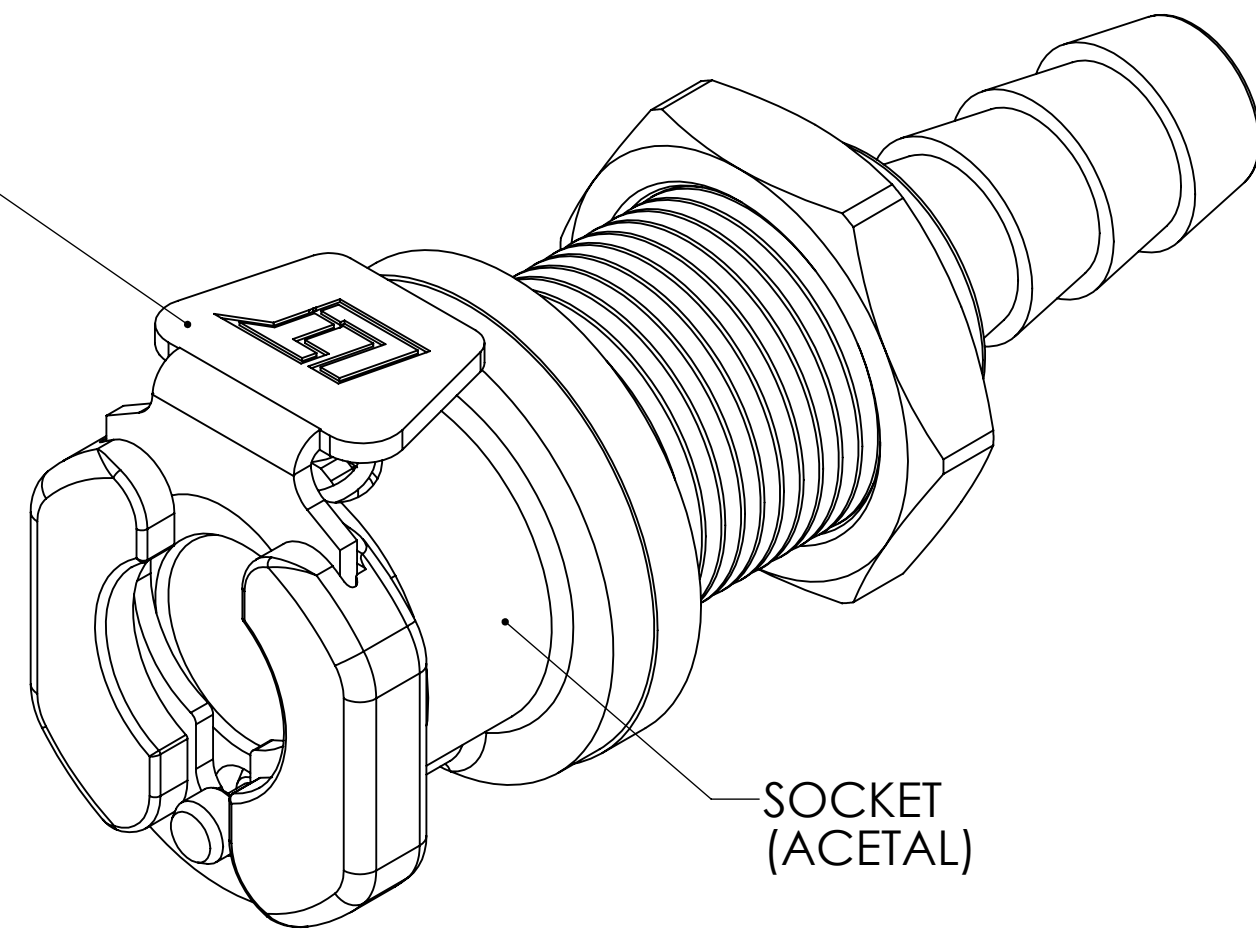
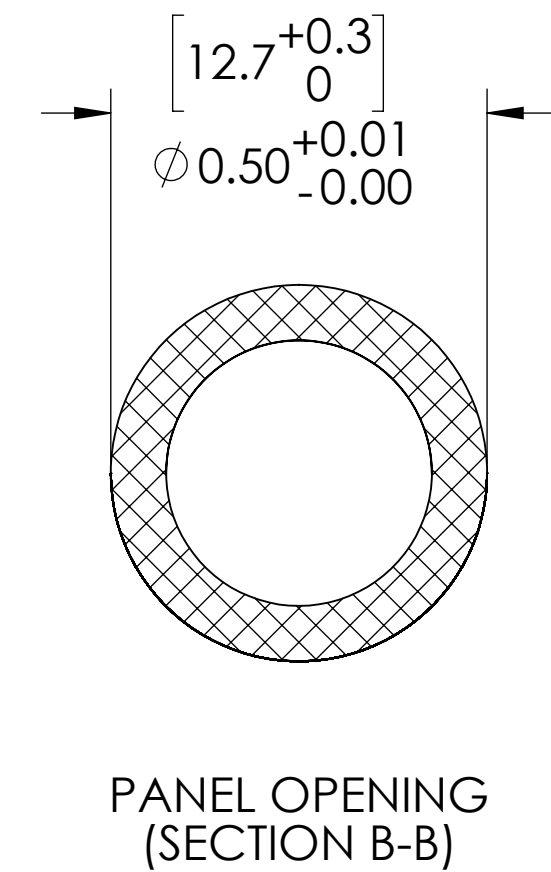
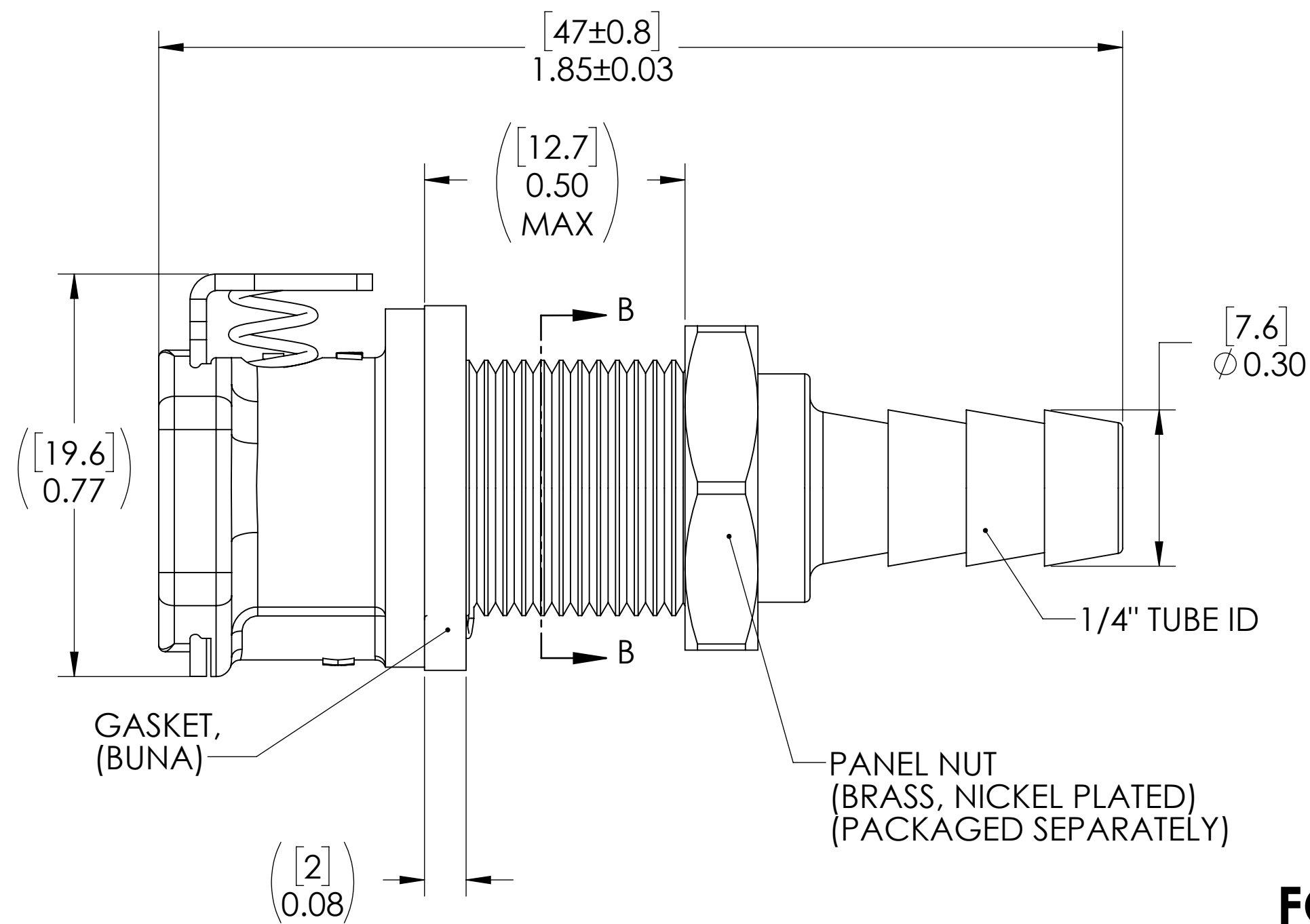
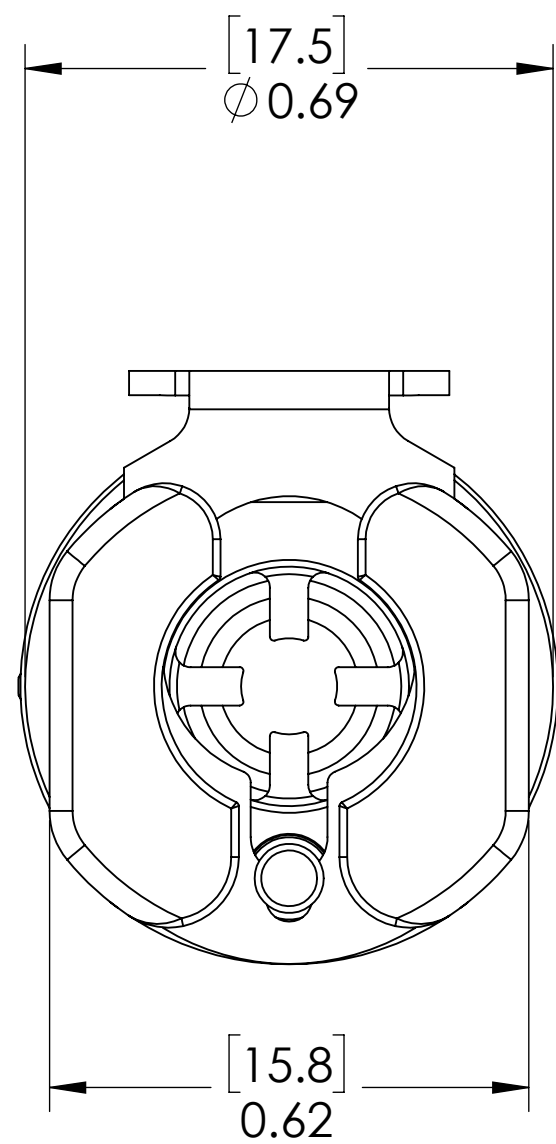


| REVISIONS | | | | | | |
|-----------|------|------|-------|-------------------------------------|----------|----------|
| SHEET | ZONE | REV. | ECO | DESCRIPTION | DATE | APPROVED |
| ALL | ALL | A | 50242 | UPDATED PIN & PIN SPRING AND FORMAT | 1/9/2020 | HRC |

LATCH HARDWARE
(STAINLESS STEEL)



SOCKET
(ACETAL)



PANEL OPENING
(SECTION B-B)

FOR REFERENCE ONLY

NOTES:

- MATERIAL: ACETAL
- COLOR: NATURAL WHITE
- GASKET MATERIAL: BUNA

| | | | | |
|---|-----------|------------|----------|---|
| <small>UNLESS OTHERWISE SPECIFIED: DIMENSIONS ARE IN INCHES TOLERANCES: FRACTIONAL ± 1/32 ANGULAR: MACH ± 0.5 BEND ± 2 ONE PLACE DECIMAL ± 0.1 TWO PLACE DECIMAL ± 0.01 THREE PLACE DECIMAL ± 0.005 TWO PLACE DUAL (mm) [±0.12]</small> | DRAWN | HRC | 04-13-11 | |
| | CHECKED | HRC | 04-13-11 | |
| | ENG APPR. | HRC | 1/9/20 | |
| | MFG APPR. | BDB | 1/9/20 | |
| PROPRIETARY AND CONFIDENTIAL | Q.A. | LS | 1/9/20 | PART NO: 20AC-S3-04GS DESCRIPTION: LinkTech 20AC Series Panel Mt. Female, Non-Valved, 250 HB, Gasket Seal, Natural Acetal |
| <small>THE INFORMATION CONTAINED IN THIS DRAWING IS THE SOLE PROPERTY OF LINKTECH LLC. ANY REPRODUCTION OR DISCLOSURE IN PART OR AS A WHOLE WITHOUT THE WRITTEN PERMISSION OF LINKTECH LLC IS STRICTLY PROHIBITED.</small> | | | | |
| <small>COMMENTS:</small> | | | | |
| SIZE DWG. NO. | | REV | | SHEET 1 OF 1 |
| C 20AC200139 | | A | | |