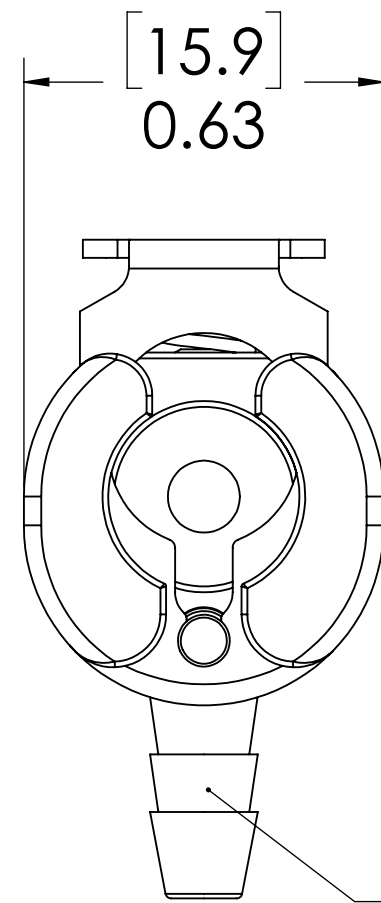
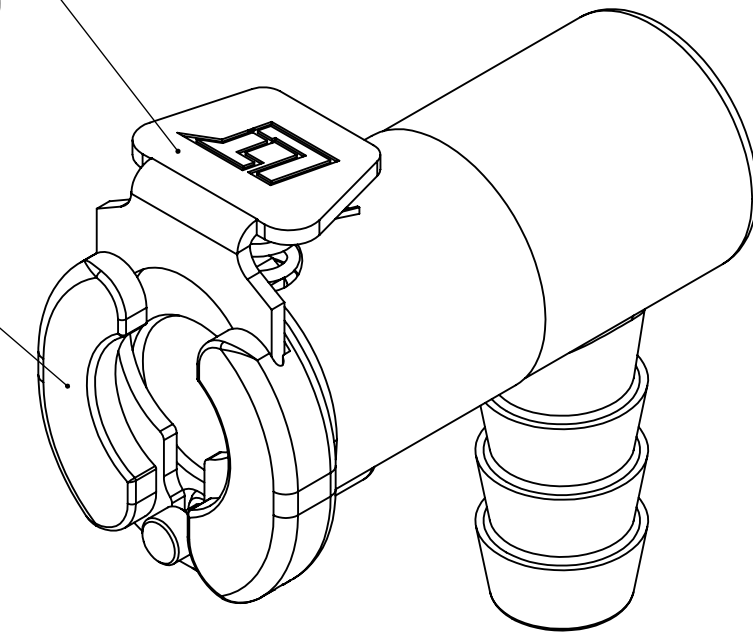


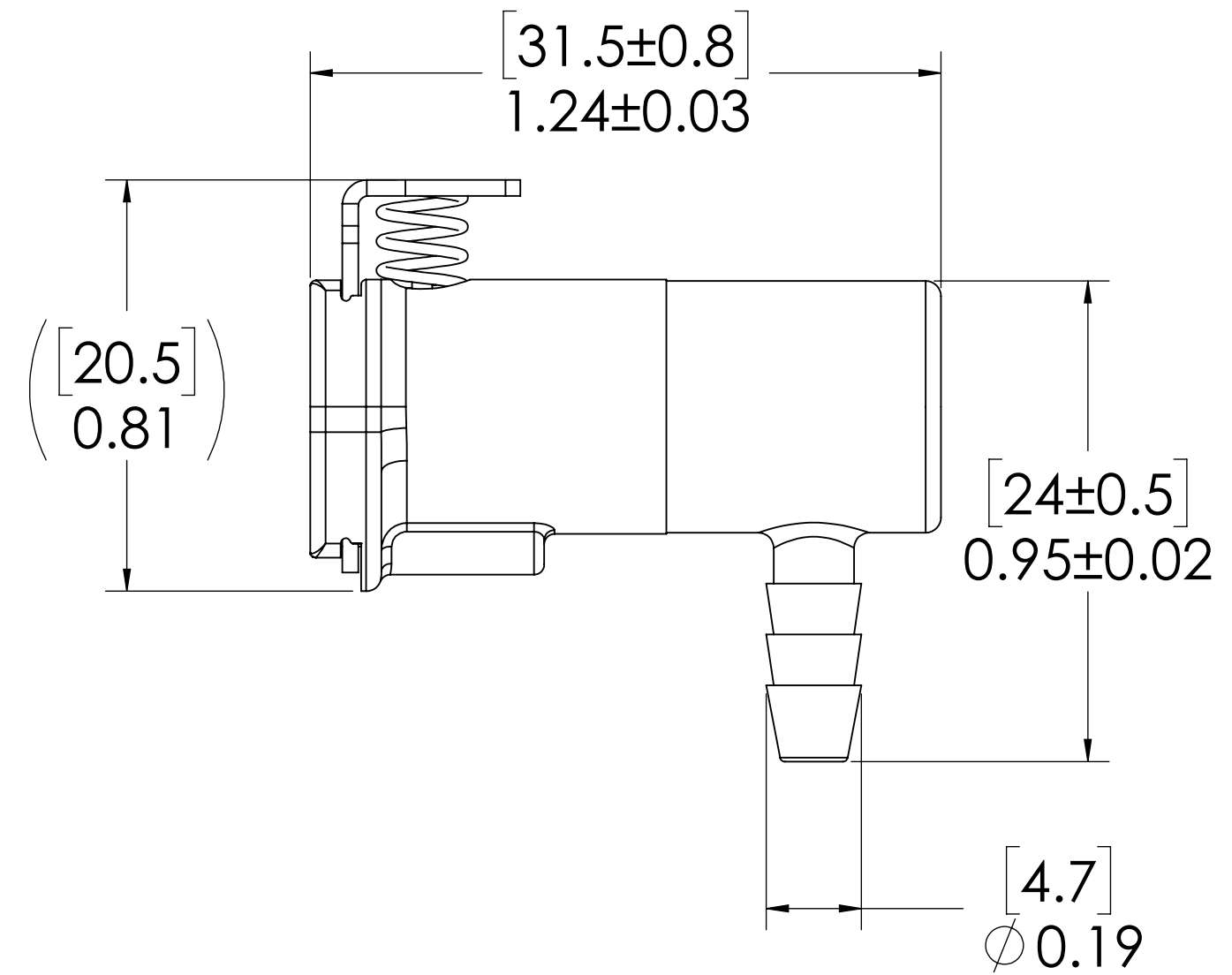
REVISIONS						
SHEET	ZONE	REV.	ECO	DESCRIPTION	DATE	APPROVED
1	ALL	A	50253	INITIAL RELEASE	6/28/2018	HRC

LATCH HARDWARE,
(STAINLESS STEEL)

SOCKET,
(ACETAL)




1/8" TUBE ID



NOTES:

1. MATERIAL: ACETAL
2. COLOR: NATURAL WHITE

FOR REFERENCE ONLY

UNLESS OTHERWISE SPECIFIED: DIMENSIONS ARE IN INCHES TOLERANCES: FRACTIONAL ± 1/32 ANGULAR: MACH ± 0.5 BEND ± 2 ONE PLACE DECIMAL ± 0.1 TWO PLACE DECIMAL ± 0.01 THREE PLACE DECIMAL ± 0.005 TWO PLACE DUAL (mm) [± 0.12]	DRAWN	DHJ	5/4/11	 PART NO: 20AC-S4-02
	CHECKED	DHJ	5/4/11	
PROPRIETARY AND CONFIDENTIAL THE INFORMATION CONTAINED IN THIS DRAWING IS THE SOLE PROPERTY OF LINKTECH LLC. ANY REPRODUCTION OR DISCLOSURE IN PART OR AS A WHOLE WITHOUT THE WRITTEN PERMISSION OF LINKTECH LLC IS STRICTLY PROHIBITED.	ENG APPR.	HRC	6/28/18	DESCRIPTION: LinkTech 20AC Series Elbow Female, Non-valved, 1/8" HB, Natural Acetal
	MFG APPR.	BDB	6/28/18	SIZE DWG. NO. REV C 20AC200153 A
	PRODUCTION	LS	6/28/18	SCALE: NTS WEIGHT: SHEET 1 OF 1