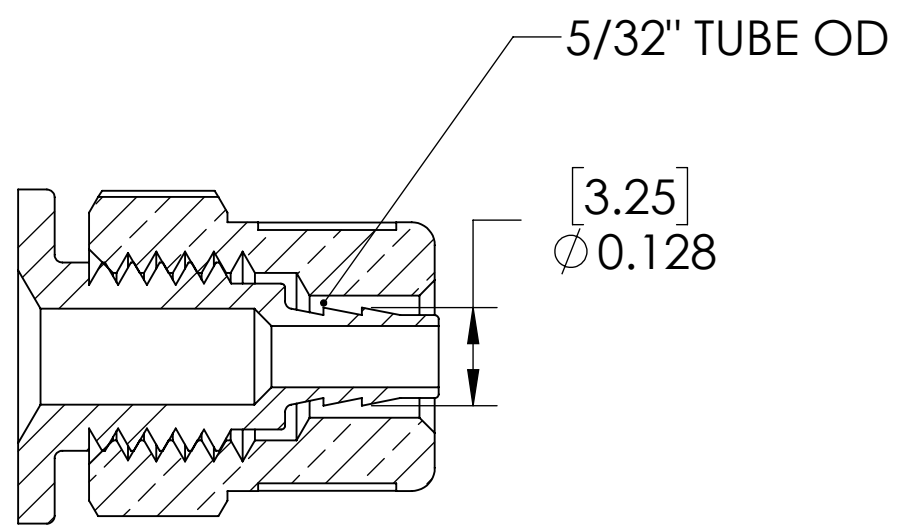
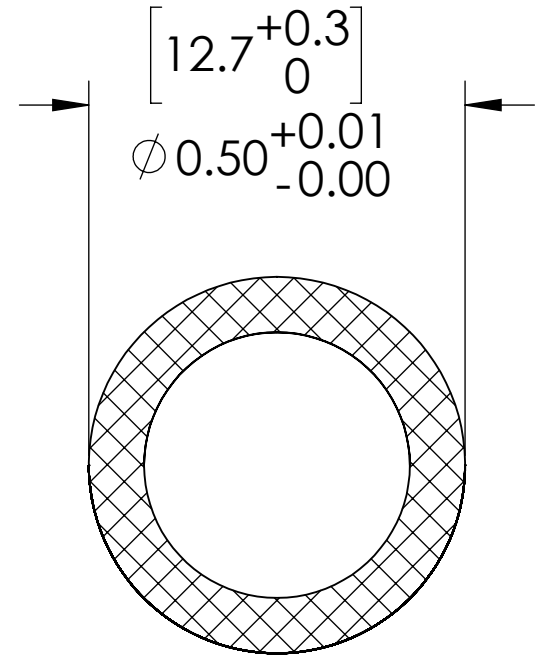
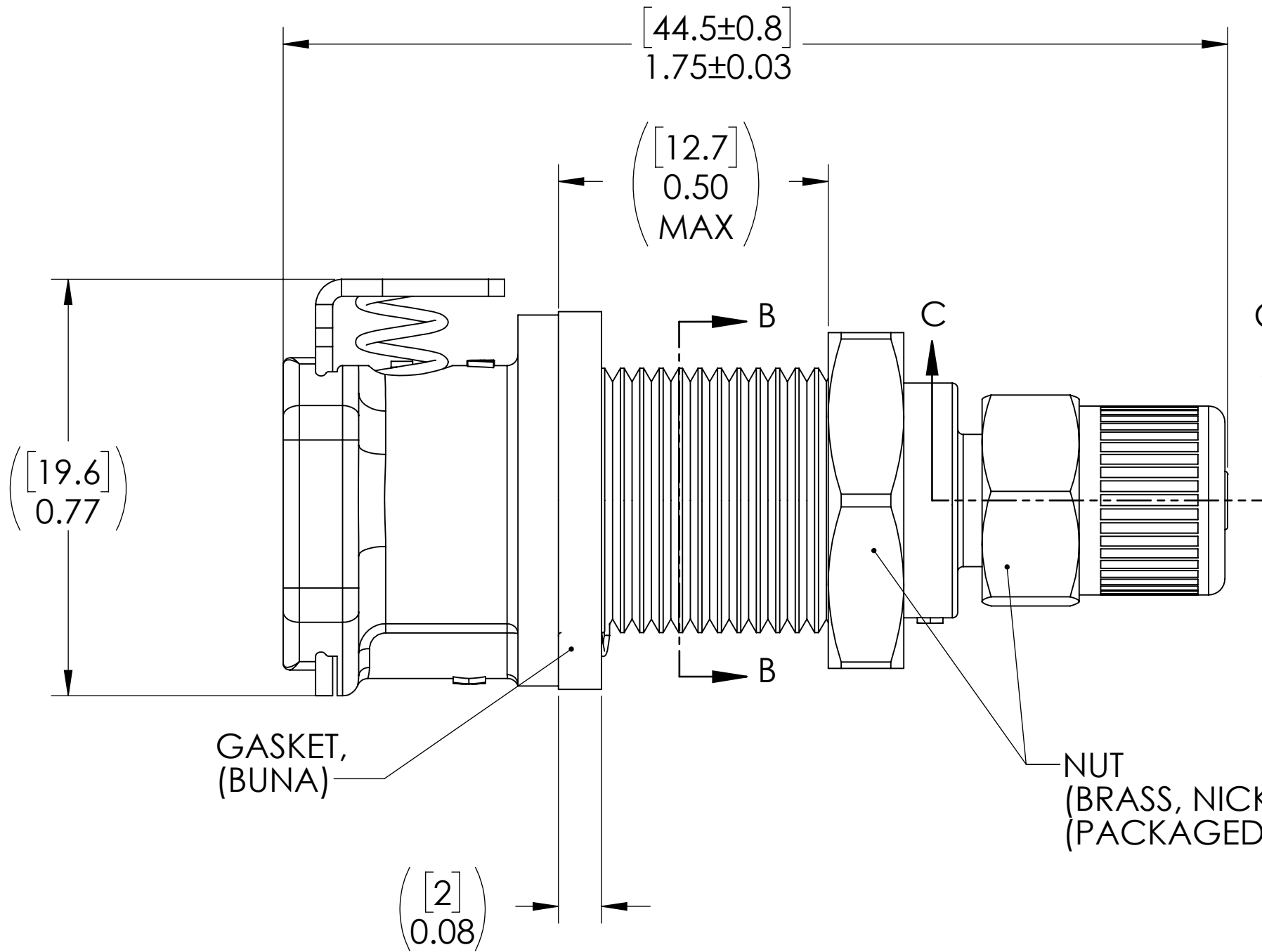
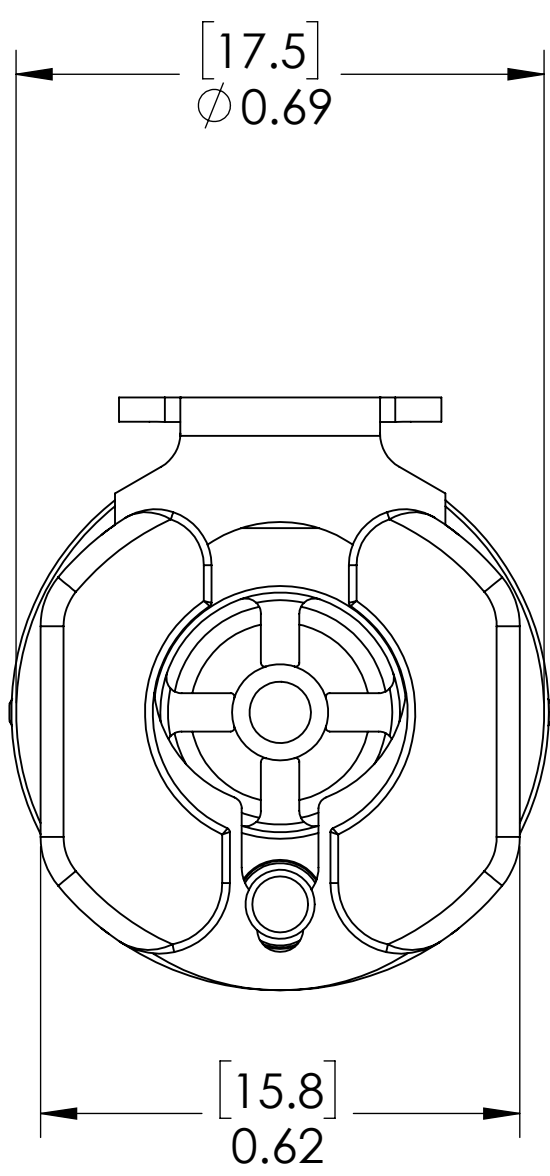
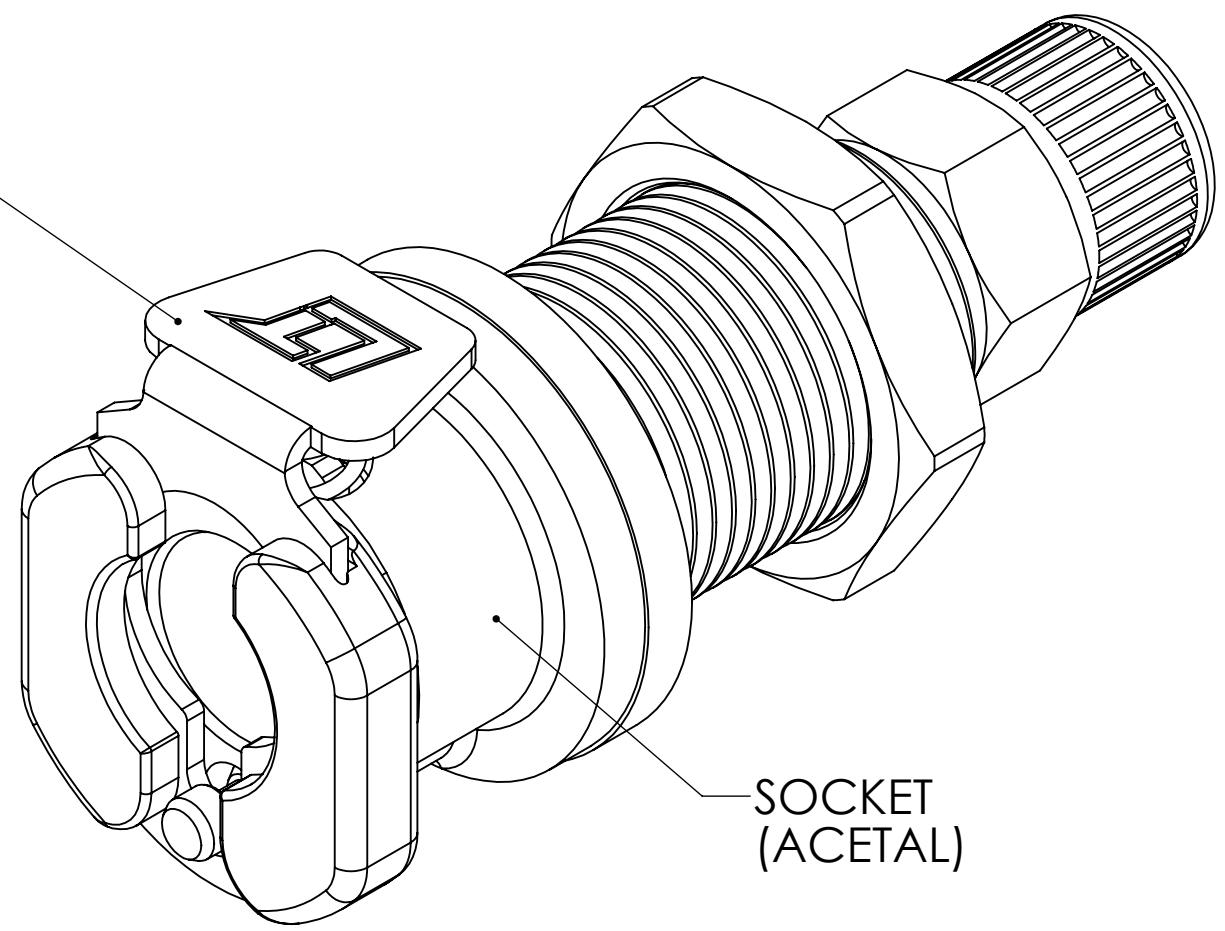


REVISIONS						
SHEET	ZONE	REV.	ECO	DESCRIPTION	DATE	APPROVED
1	ALL	A	50036	ADDED GASKET TO ASSEMBLY	1/17/2013	HRC
ALL	ALL	B	50242	UPDATED PIN & PIN SPRING AND FORMAT	1/9/2020	HRC



LATCH HARDWARE
(STAINLESS STEEL)



FOR REFERENCE ONLY

- NOTES:**
- MATERIAL: ACETAL
 - COLOR: NATURAL WHITE
 - GASKET MATERIAL: BUNA

UNLESS OTHERWISE SPECIFIED: DIMENSIONS ARE IN INCHES TOLERANCES: FRACTIONAL ± 1/32 ANGULAR: MACH ± 0.5 BEND ± 2 ONE PLACE DECIMAL ± 0.1 TWO PLACE DECIMAL ± 0.01 THREE PLACE DECIMAL ± 0.005 TWO PLACE DUAL (mm) [± 0.12]	DRAWN	HRC	04-14-11	 PART NO: 20AC-S8-025GS DESCRIPTION: LinkTech 20AC Series Panel Mt. Female, Non-Valved, 5/32 PTF, Gasket Seal, Natural Acetal SIZE DWG. NO. REV C 20AC200141 B SCALE: NTS WEIGHT: SHEET 1 OF 1
	CHECKED	HRC	04-14-11	
	ENG APPR.	HRC	1/9/20	
	MFG APPR.	BDB	1/9/20	
PROPRIETARY AND CONFIDENTIAL	Q.A.	LS	1/9/20	
THE INFORMATION CONTAINED IN THIS DRAWING IS THE SOLE PROPERTY OF LINKTECH LLC. ANY REPRODUCTION OR DISCLOSURE IN PART OR AS A WHOLE WITHOUT THE WRITTEN PERMISSION OF LINKTECH LLC IS STRICTLY PROHIBITED.				