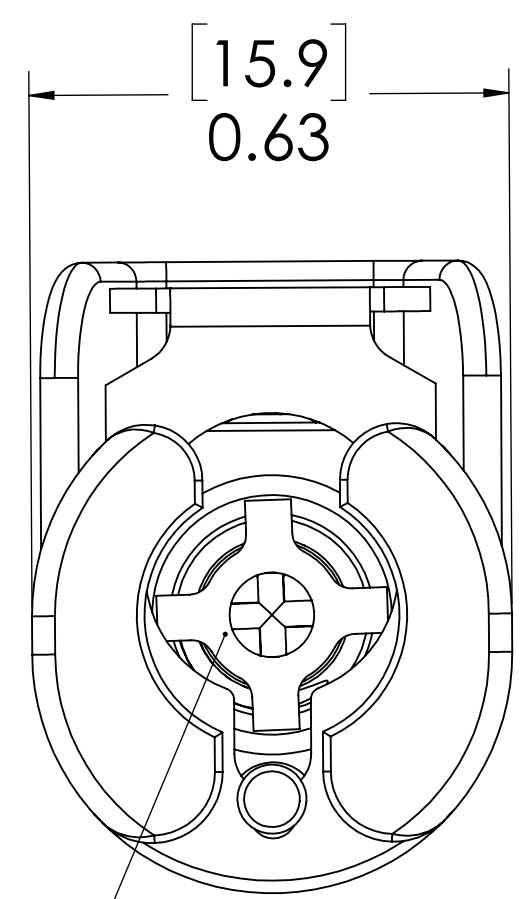
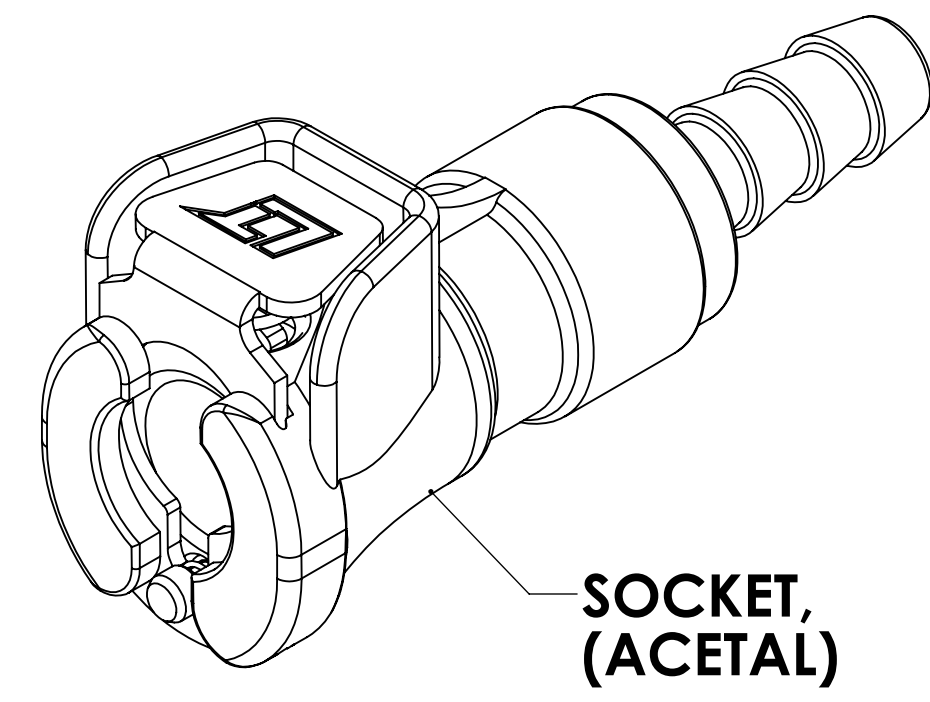
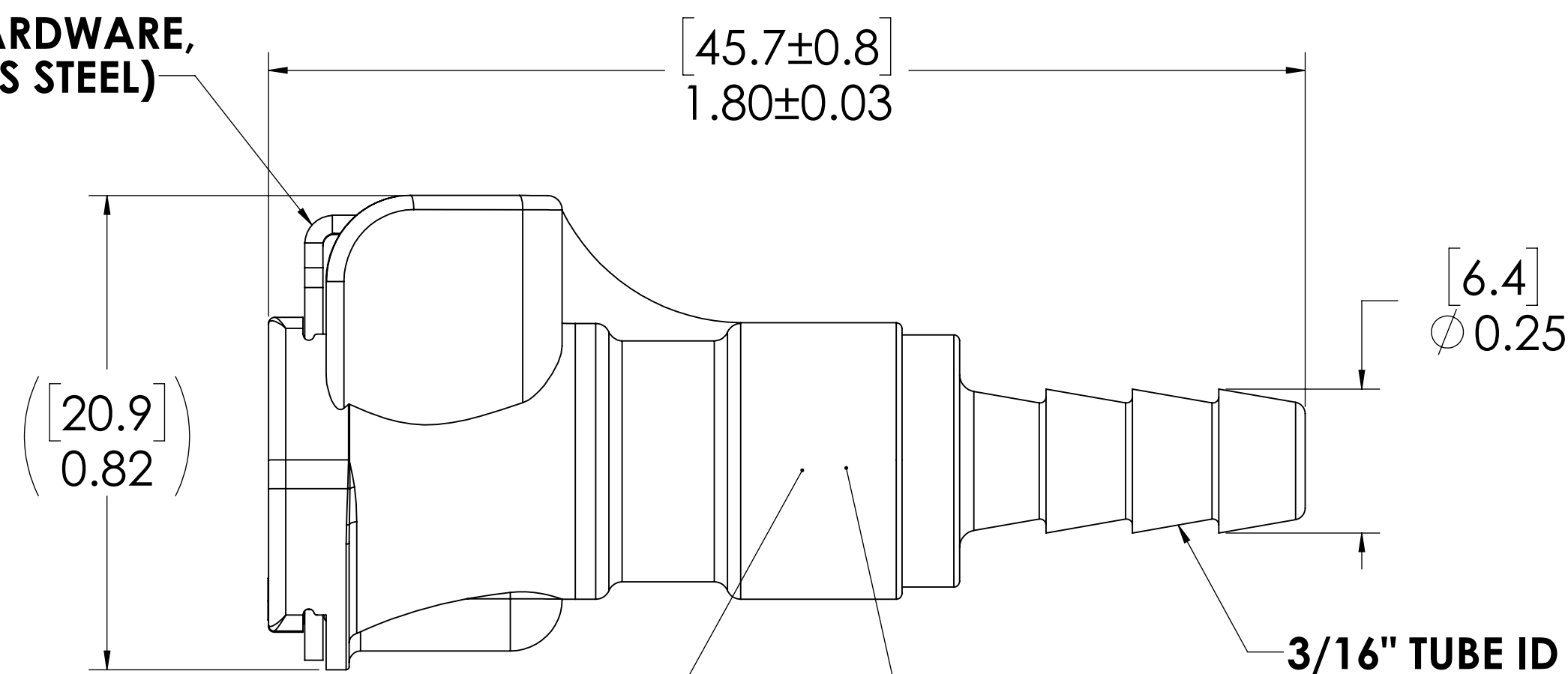


| REVISIONS | | | | | | |
|-----------|------|------|-------|--|------------|----------|
| SHEET | ZONE | REV. | ECO | DESCRIPTION | DATE | APPROVED |
| 1 | ALL | A | 50242 | UPDATE DWG TO CURRENT FORMAT & STANDARDS | 10/12/2018 | HRC |



**VALVE,
(ACETAL)**

**LATCH HARDWARE,
(STAINLESS STEEL)**



**VALVE SPRING,
INTERNAL
(STAINLESS STEEL)**

**VALVE O-RING,
INTERNAL
(BUNA-N)**

- NOTES:**
- MATERIAL: ACETAL
 - COLOR: NATURAL WHITE
 - O-RING MATERIAL: BUNA-N
 - O-RINGS LUBRICATED WITH FOOD GRADE SILICONE OIL, 350 CST.

FOR REFERENCE ONLY

| | | | | |
|---|-----------|----------|----------|--|
| <small>UNLESS OTHERWISE SPECIFIED: DIMENSIONS ARE IN INCHES TOLERANCES: FRACTIONAL ±1/32 ANGULAR: MACH ±0.5 BEND ±2 ONE PLACE DECIMAL ±0.1 TWO PLACE DECIMAL ±0.01 THREE PLACE DECIMAL ±0.005 TWO PLACE DUAL (mm) [±0.12]</small> | DRAWN | ER | 09-25-17 | |
| | CHECKED | HRC | 09-25-17 | |
| | ENG APPR. | HRC | 10/12/18 | |
| | MFG APPR. | BDB | 10/12/18 | |
| PRODUCTION | LS | 10/12/18 | | PART NO: 20ACV-SB2-03 DESCRIPTION: LinkTech 20AC Series Straight Female Valved, 3/16" HB, Natural Acetal SIZE DWG. NO. REV C 20AC200337 A SCALE: NTS WEIGHT: SHEET 1 OF 1 |
| <small>PROPRIETARY AND CONFIDENTIAL THE INFORMATION CONTAINED IN THIS DRAWING IS THE SOLE PROPERTY OF LINKTECH LLC. ANY REPRODUCTION OR DISCLOSURE IN PART OR AS A WHOLE WITHOUT THE WRITTEN PERMISSION OF LINKTECH LLC IS STRICTLY PROHIBITED.</small> | | | | |