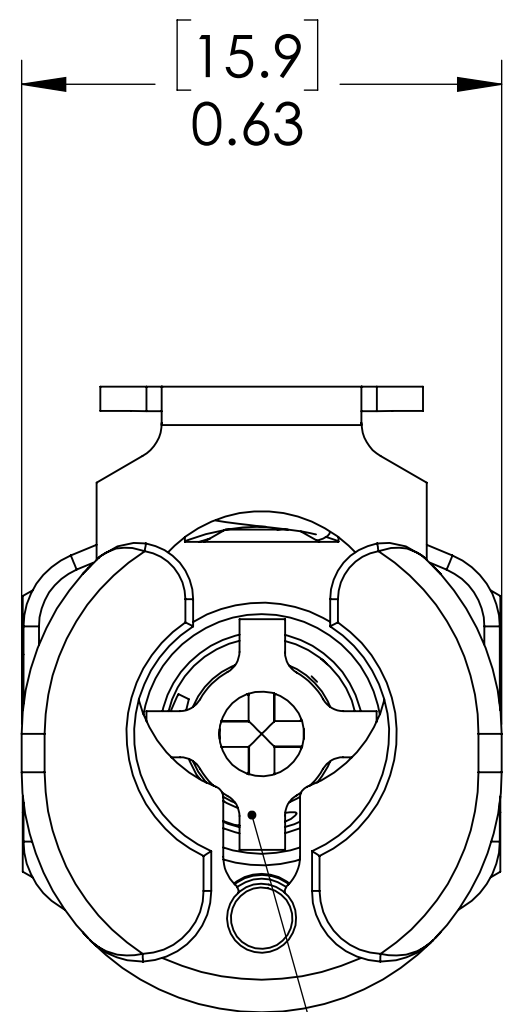
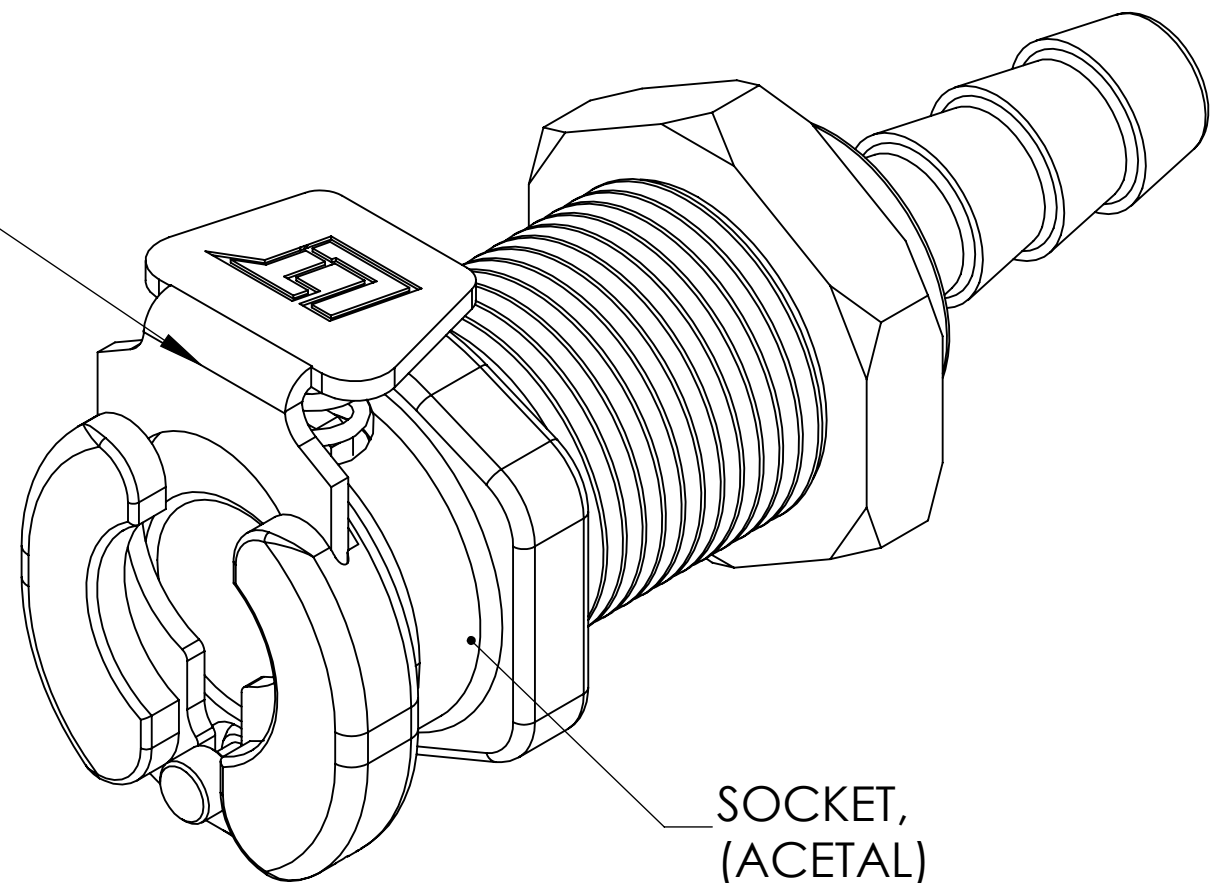


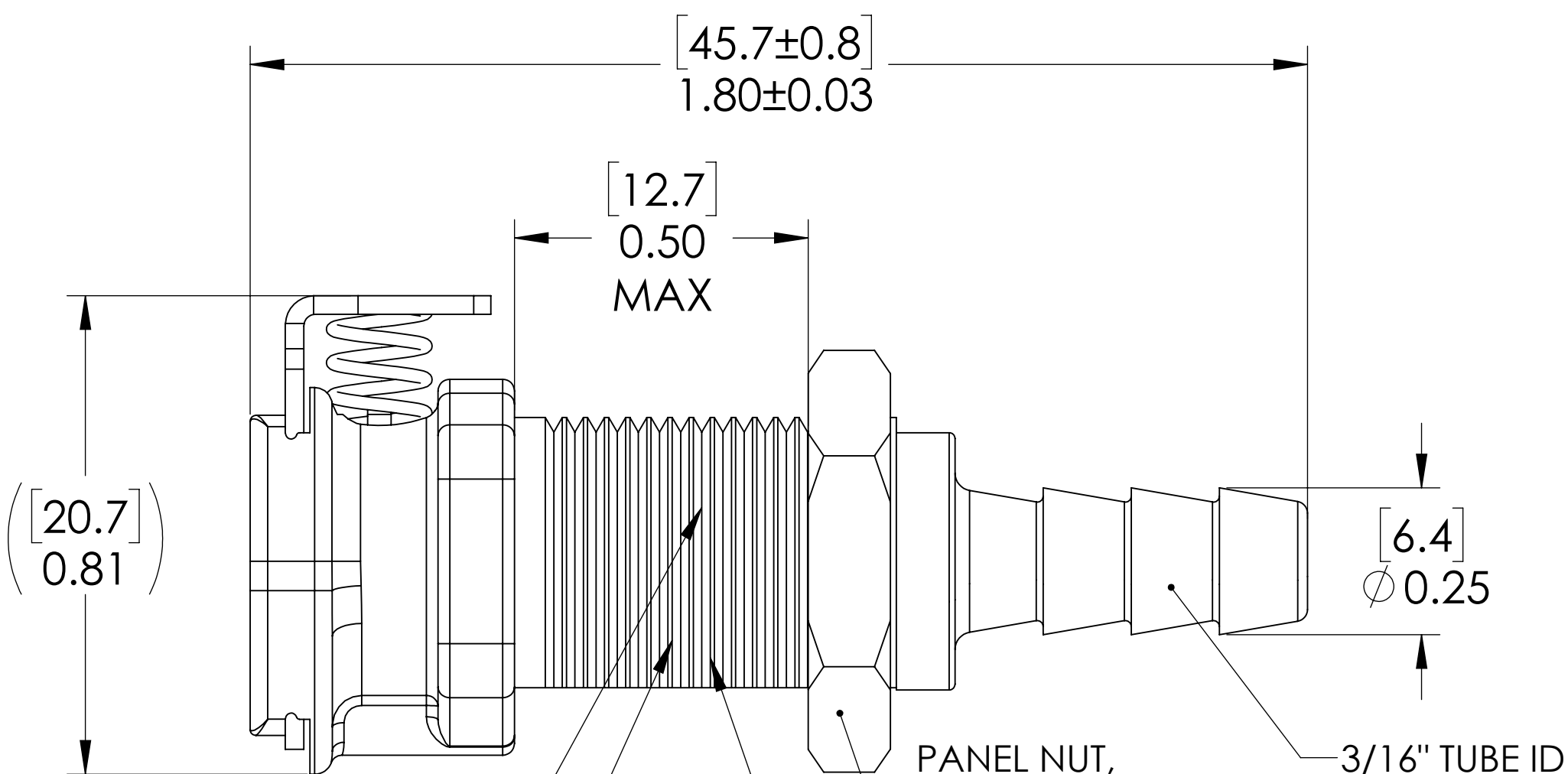
REVISIONS						
SHEET	ZONE	REV.	ECO	DESCRIPTION	DATE	APPROVED
1	ALL	A	50242	UPDATE DWG TO CURRENT FORMAT & STANDARDS	8/31/2017	HRC

LATCH HARDWARE,
(STAINLESS STEEL)

SOCKET,
(ACETAL)



VALVE,
(ACETAL)

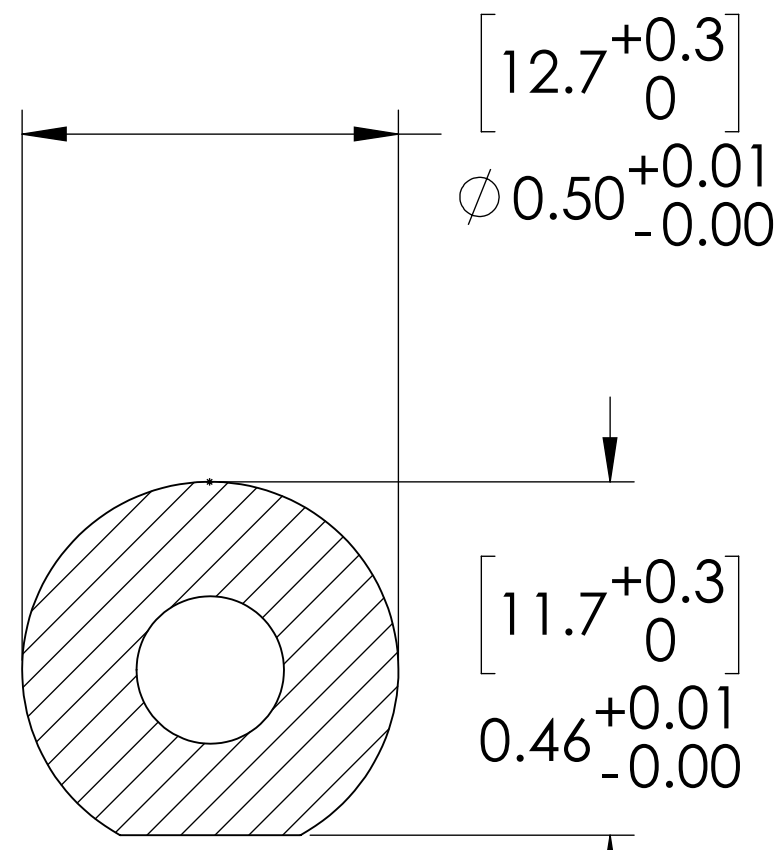


VALVE SPRING,
INTERNAL
(STAINLESS STEEL)

PANEL NUT,
5/8\"/>

VALVE O-RING,
INTERNAL
(BUNA-N)

1/2\"/>



PANEL OPENING

NOTES:

- MATERIAL: ACETAL
- COLOR: NATURAL WHITE
- O-RING MATERIAL: BUNA-N
- O-RINGS LUBRICATED WITH FOOD GRADE SILICONE OIL, 350 CST.

FOR REFERENCE ONLY

<small>UNLESS OTHERWISE SPECIFIED: DIMENSIONS ARE IN INCHES TOLERANCES: FRACTIONAL ±1/32 ANGULAR, MACH ±0.5 BEND ±2 ONE PLACE DECIMAL ±0.1 TWO PLACE DECIMAL ±0.01 THREE PLACE DECIMAL ±0.005 TWO PLACE DUAL (mm) [±0.12]</small>	DRAWN	ER	07-31-17	
	CHECKED	CKE	8/30/17	
	ENG APPR.	HRC	8/31/17	
	MFG APPR.	BDB	8/31/17	
<small>PROPRIETARY AND CONFIDENTIAL</small>	Q.A.	JJB	8/31/17	PART NO: 20ACV-SB3-03
<small>THE INFORMATION CONTAINED IN THIS DRAWING IS THE SOLE PROPERTY OF LINKTECH LLC. ANY REPRODUCTION OR DISCLOSURE IN PART OR AS A WHOLE WITHOUT THE WRITTEN PERMISSION OF LINKTECH LLC IS STRICTLY PROHIBITED.</small>	COMMENTS:			<small>DESCRIPTION:</small> LinkTech 20AC Series Panel Mt. Female, Valved, 3/16" HB, Natural Acetal
	SIZE	DWG. NO.	REV	
	C	20AC200150	A	
	SCALE: NTS	WEIGHT:		SHEET 1 OF 1