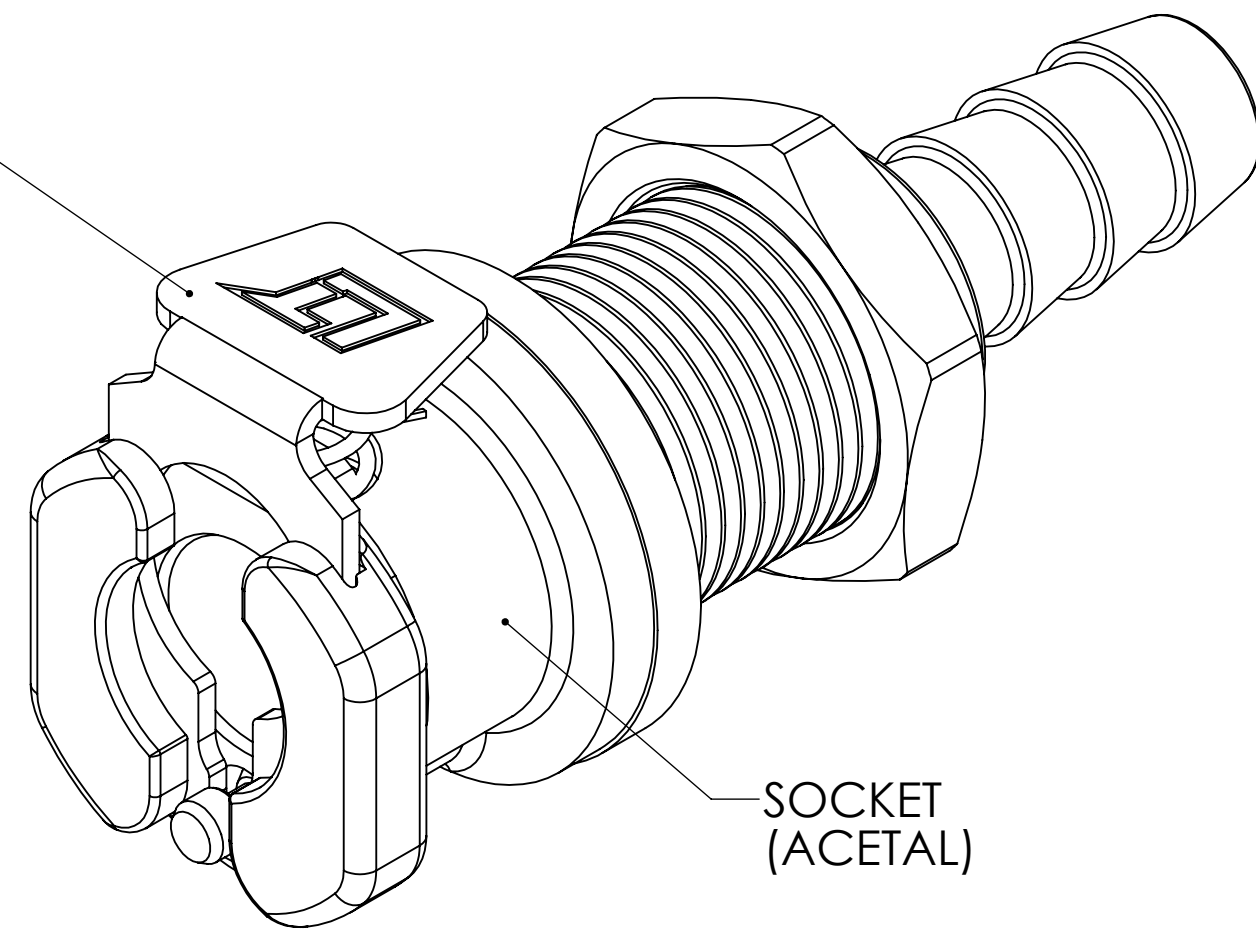
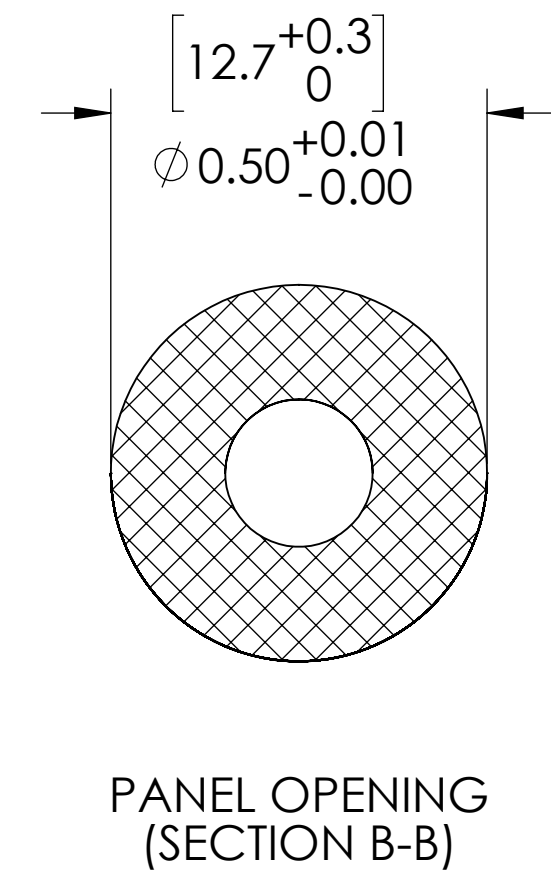
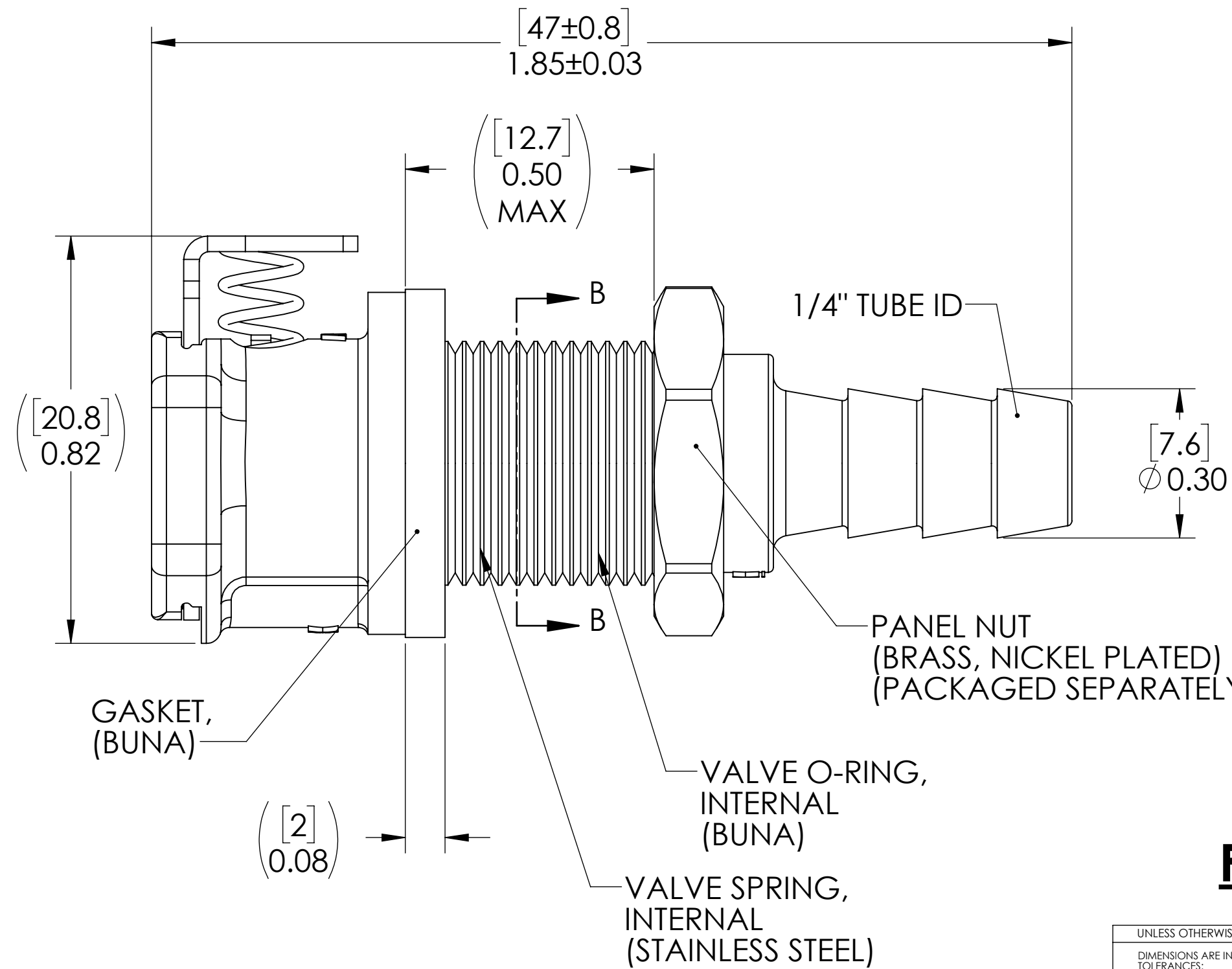
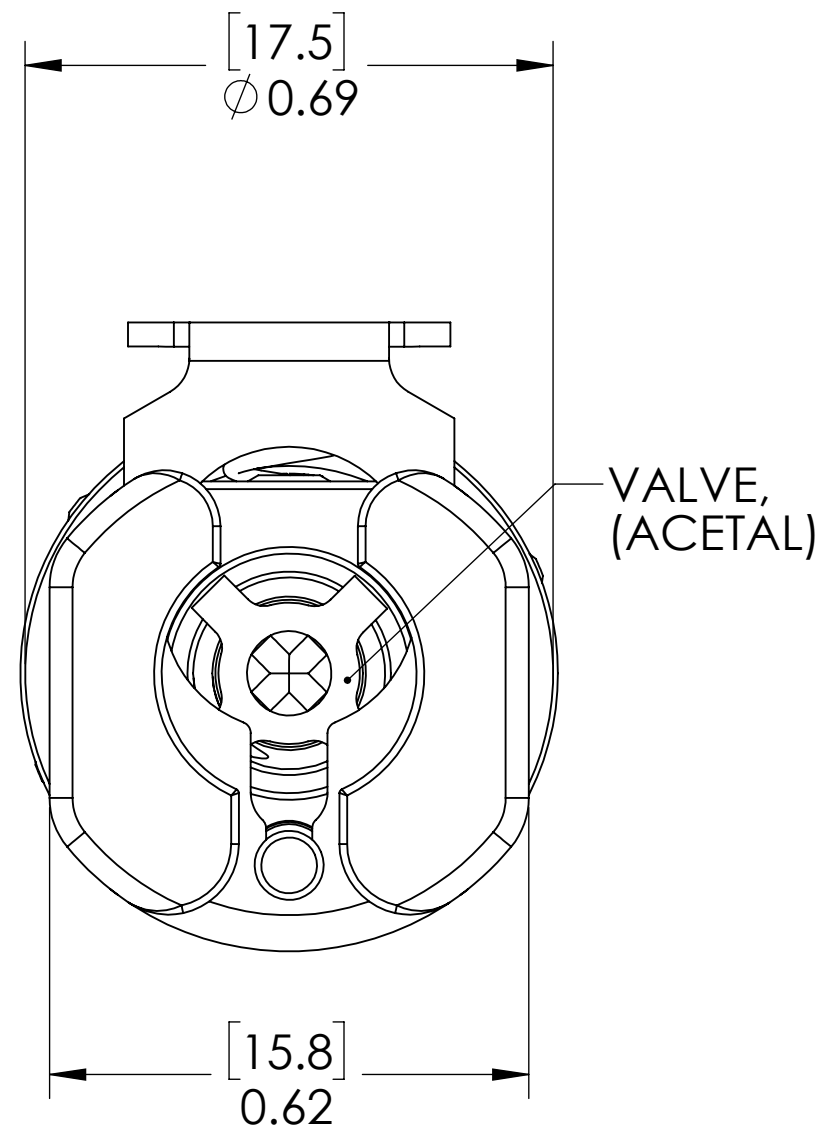


REVISIONS						
SHEET	ZONE	REV.	ECO	DESCRIPTION	DATE	APPROVED
1	E3	A	50162	ADD GASKET SEAL TO ASSEMBLY / UPDATE SHEET FORMAT	08/07/2015	HRC
ALL	ALL	B	50242	UPDATED PIN & PIN SPRING AND FORMAT	1/9/2020	HRC

LATCH HARDWARE  
(STAINLESS STEEL)



SOCKET  
(ACETAL)



**NOTES:**

1. MATERIAL: ACETAL
2. COLOR: NATURAL WHITE
3. O-RING MATERIAL: BUNA
4. GASKET MATERIAL: BUNA
5. O-RINGS LUBRICATED WITH FOOD GRADE SILICONE OIL, 350 CST.

**FOR REFERENCE ONLY**

<small>UNLESS OTHERWISE SPECIFIED: DIMENSIONS ARE IN INCHES TOLERANCES: FRACTIONAL ± 1/32 ANGULAR: MACH ± 0.5 BEND ± 2 ONE PLACE DECIMAL ± 0.1 TWO PLACE DECIMAL ± 0.01 THREE PLACE DECIMAL ± 0.005 TWO PLACE DUAL (mm) [± 0.12]</small>	DRAWN	C. DAVIS	07-23-15	
	CHECKED	HRC	07-23-15	
	ENG APPR.	HRC	1/9/20	
	MFG APPR.	BDB	1/9/20	
PROPRIETARY AND CONFIDENTIAL	Q.A.	LS	1/9/20	<b>PART NO:</b> 20ACV-SB3-04GS  <b>DESCRIPTION:</b> LinkTech 20AC Series Panel Mt. Female, Valved, 250 HB, Gasket Seal, Natural Acetal
<small>THE INFORMATION CONTAINED IN THIS DRAWING IS THE SOLE PROPERTY OF LINKTECH LLC. ANY REPRODUCTION OR DISCLOSURE IN PART OR AS A WHOLE WITHOUT THE WRITTEN PERMISSION OF LINKTECH LLC IS STRICTLY PROHIBITED.</small>				
<small>COMMENTS:</small>				
<b>SIZE</b> DWG. NO.		<b>REV</b>		
<b>C</b> 20AC200140		<b>B</b>		
SCALE: NTS WEIGHT:		SHEET 1 OF 1		