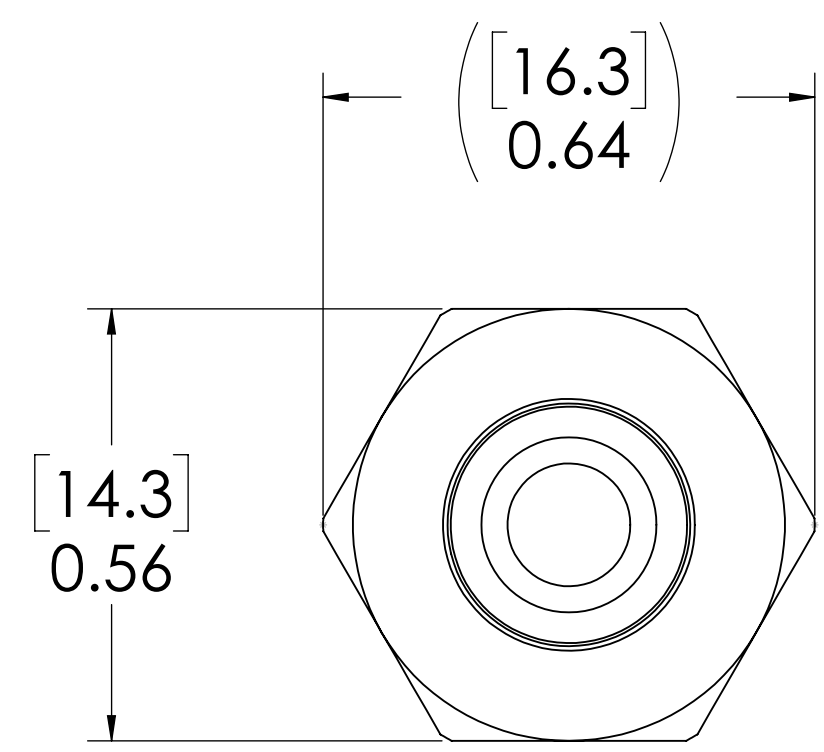
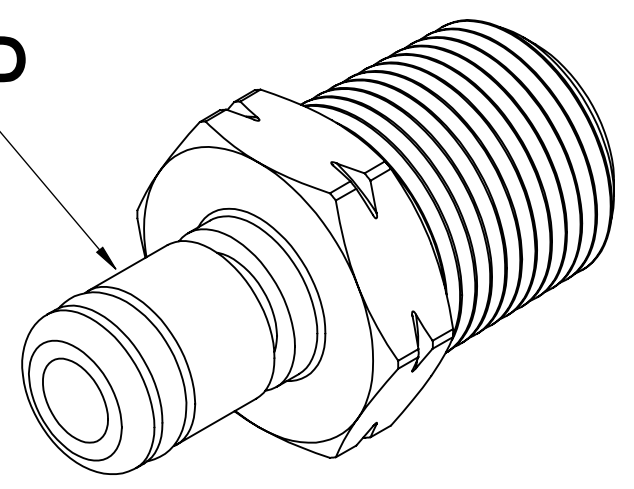
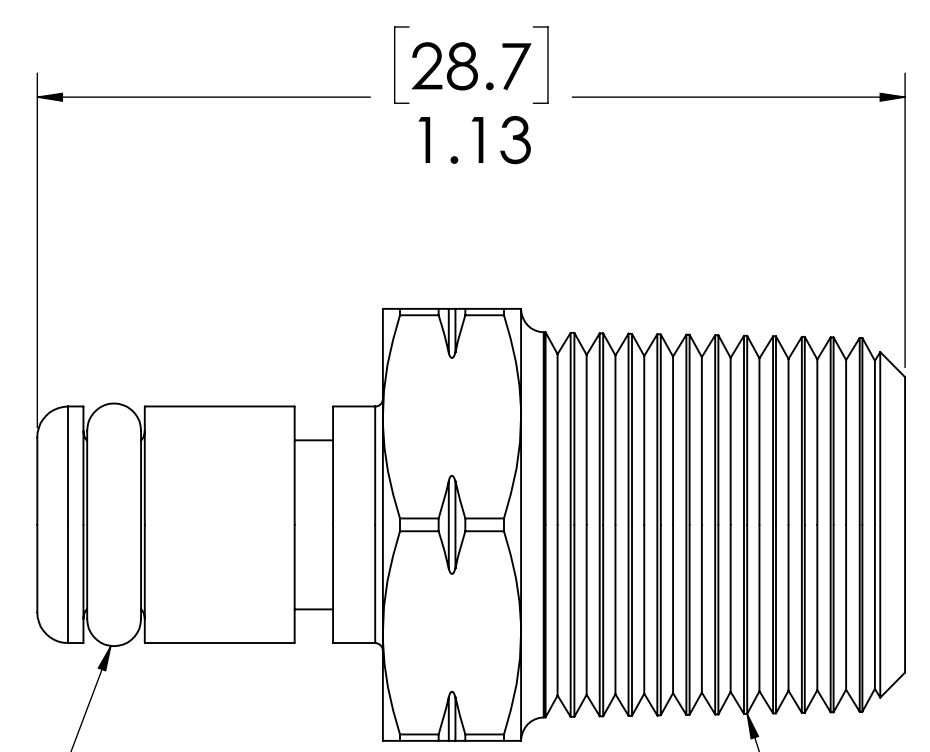


REVISIONS						
SHEET	ZONE	REV.	ECO	DESCRIPTION	DATE	APPROVED
1	ALL	A	50253	2017 FORMAT UPDATE	10/18/2018	HRC

**PLUG,  
(BRASS, NICKEL AND  
CHROME PLATED)**



**O-RING,  
(BUNA-N)**




**1/4" BSPT  
(PIPE THREAD)**

**NOTES:**

- MATERIAL: BRASS
- COLOR: CHROME
- O-RING MATERIAL: BUNA-N
- O-RINGS LUBRICATED WITH FOOD GRADE SILICONE OIL, 350 CST.

**FOR REFERENCE ONLY**

<small>UNLESS OTHERWISE SPECIFIED: DIMENSIONS ARE IN INCHES TOLERANCES: FRACTIONAL ± 1/32 ANGULAR: MACH ± 0.5 BEND ± 2 ONE PLACE DECIMAL ± 0.1 TWO PLACE DECIMAL ± 0.01 THREE PLACE DECIMAL ± 0.005 TWO PLACE DUAL (mm) [± 0.12]</small>	DRAWN	RDA	1/15/2018	 <b>PART NO:</b> 20CB-PB1-04BSPT <b>DESCRIPTION:</b> LinkTech 20CB Series Male Thread Male, Non-valved, 250 BSPT, Chrome Bras
	CHECKED	HRC	1/15/2018	
	ENG APPR.	HRC	10/18/18	
	MFG APPR.	BDB	10/18/18	
PRODUCTION	LS	10/18/18		<b>SIZE</b> DWG. NO. REV <b>C</b> 20CB200165 <b>A</b>
<small>PROPRIETARY AND CONFIDENTIAL THE INFORMATION CONTAINED IN THIS DRAWING IS THE SOLE PROPERTY OF LINKTECH LLC. ANY REPRODUCTION OR DISCLOSURE IN PART OR AS A WHOLE WITHOUT THE WRITTEN PERMISSION OF LINKTECH LLC IS STRICTLY PROHIBITED.</small>			COMMENTS:	<b>SCALE:</b> NTS <b>WEIGHT:</b> SHEET 1 OF 1