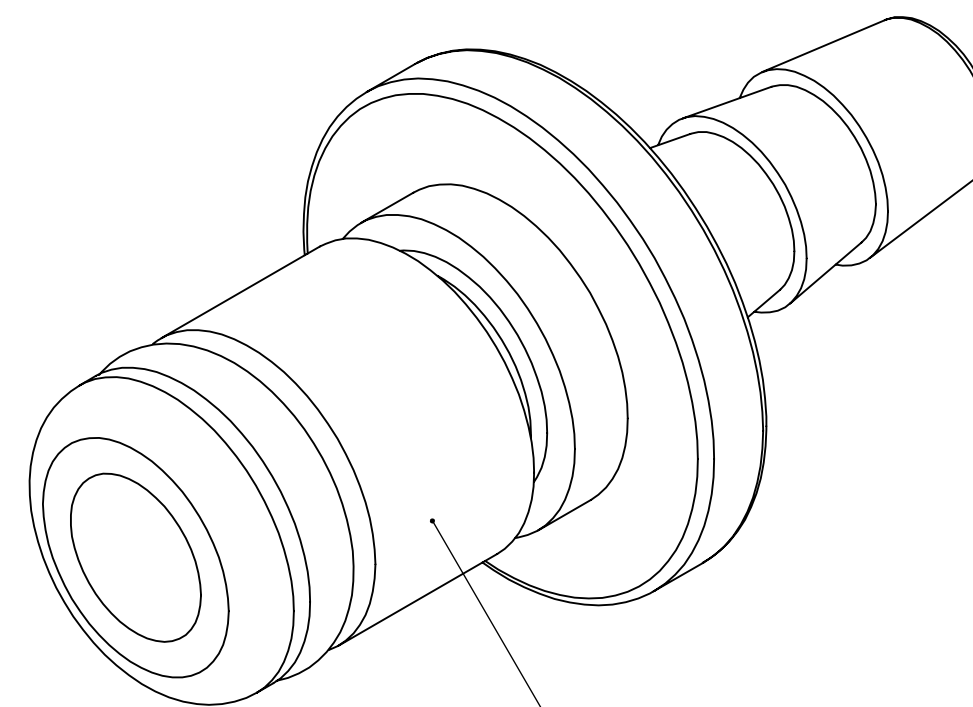
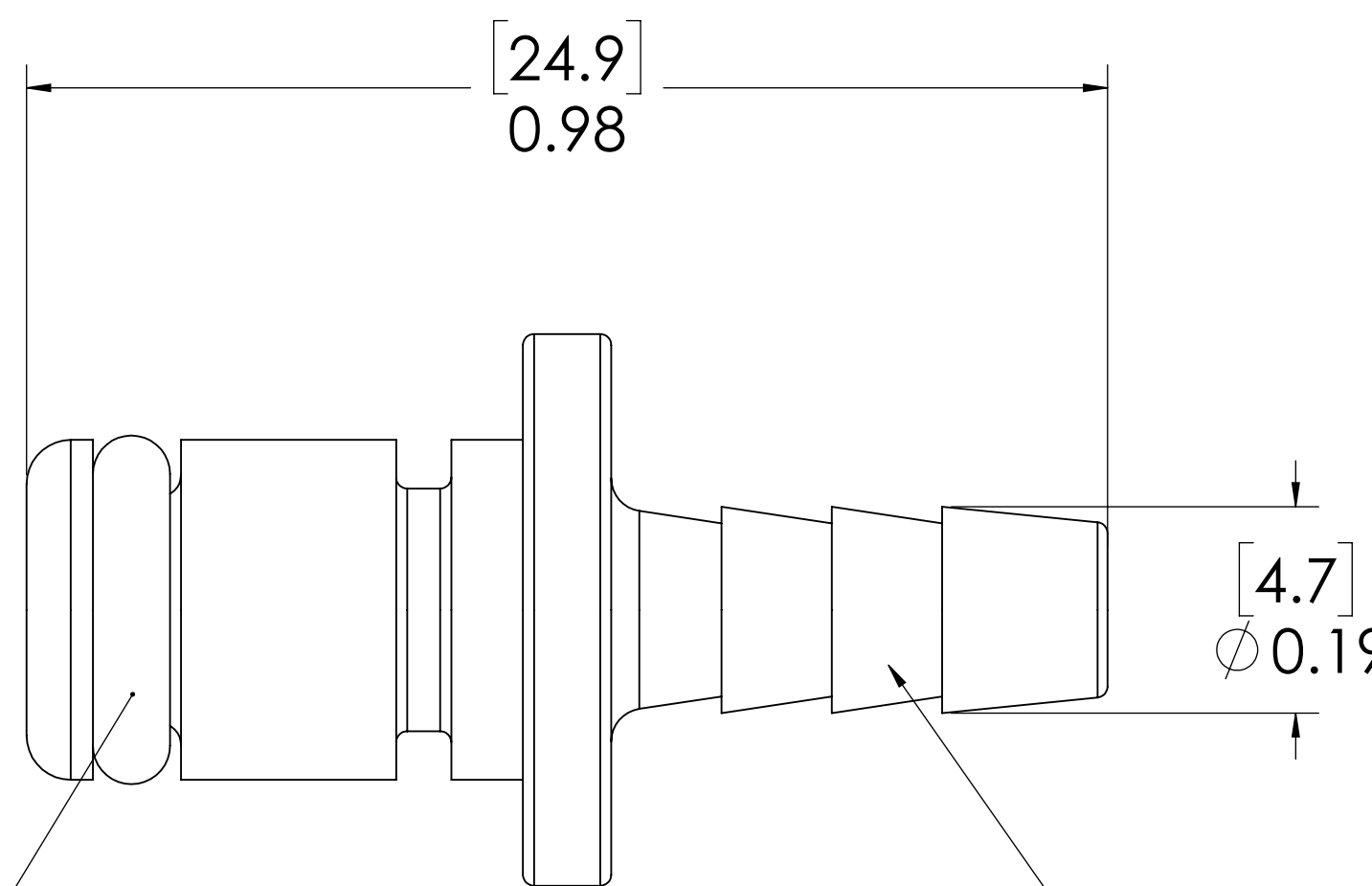
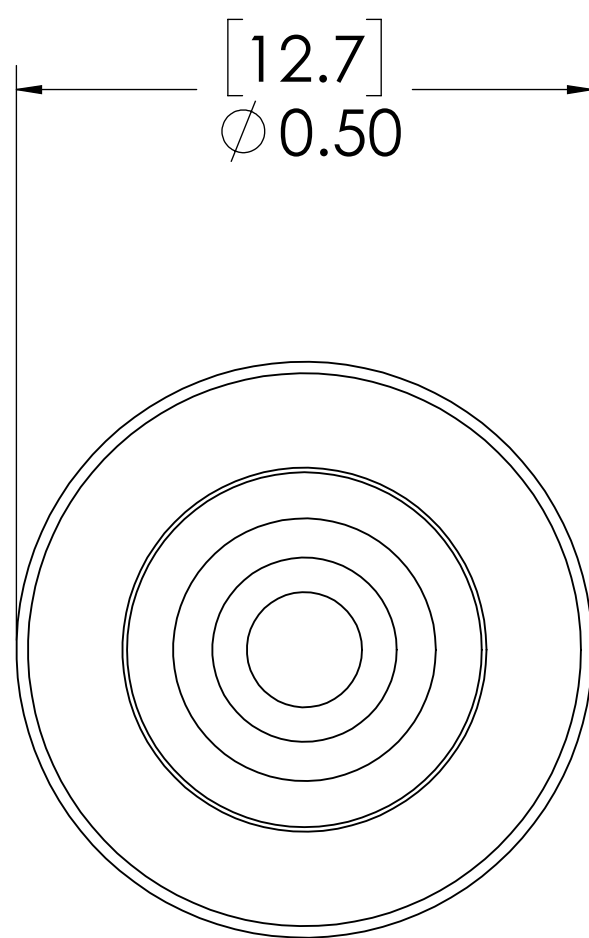


REVISIONS						
SHEET	ZONE	REV.	ECO	DESCRIPTION	DATE	APPROVED
ALL	ALL	A	50253	DRAFTING UPDATE	8/18/17	HRC



PLUG,
(BRASS, NICKEL AND
CHROME PLATED)




O-RING
(BUNA-N)

1/8" TUBE ID

NOTES:

- MATERIAL: BRASS
- COLOR: CHROME
- O-RING MATERIAL: BUNA-N
- O-RINGS LUBRICATED WITH FOOD GRADE SILICONE OIL, 350 CST.

FOR REFERENCE ONLY

<small>UNLESS OTHERWISE SPECIFIED: DIMENSIONS ARE IN INCHES TOLERANCES: FRACTIONAL ± 1/32 ANGULAR: MACH ± 0.5 BEND ± 2 ONE PLACE DECIMAL ± 0.1 TWO PLACE DECIMAL ± 0.01 THREE PLACE DECIMAL ± 0.005 TWO PLACE DUAL (mm) [± 0.12]</small>	DRAWN	CBH	8/3/2017	 PART NO: 20CB-PB2-02 DESCRIPTION: 1/8" HB INLINE NV CB PLUG 20 SERIES						
	CHECKED	XXX	XX/XX/XX							
	ENG APPR.	HRC	8/18/17							
	MFG APPR.	BDB	8/18/17							
<small>PROPRIETARY AND CONFIDENTIAL THE INFORMATION CONTAINED IN THIS DRAWING IS THE SOLE PROPERTY OF LINKTECH LLC. ANY REPRODUCTION OR DISCLOSURE IN PART OR AS A WHOLE WITHOUT THE WRITTEN PERMISSION OF LINKTECH LLC IS STRICTLY PROHIBITED.</small>	Q.A.	JJB	8/18/17	<table border="1"> <tr> <td>SIZE</td> <td>DWG. NO.</td> <td>REV</td> </tr> <tr> <td>C</td> <td>20CB200153</td> <td>A</td> </tr> </table>	SIZE	DWG. NO.	REV	C	20CB200153	A
	SIZE	DWG. NO.	REV							
C	20CB200153	A								
COMMENTS:				<table border="1"> <tr> <td>SCALE: NTS</td> <td>WEIGHT:</td> <td>SHEET 1 OF 1</td> </tr> </table>	SCALE: NTS	WEIGHT:	SHEET 1 OF 1			
SCALE: NTS	WEIGHT:	SHEET 1 OF 1								