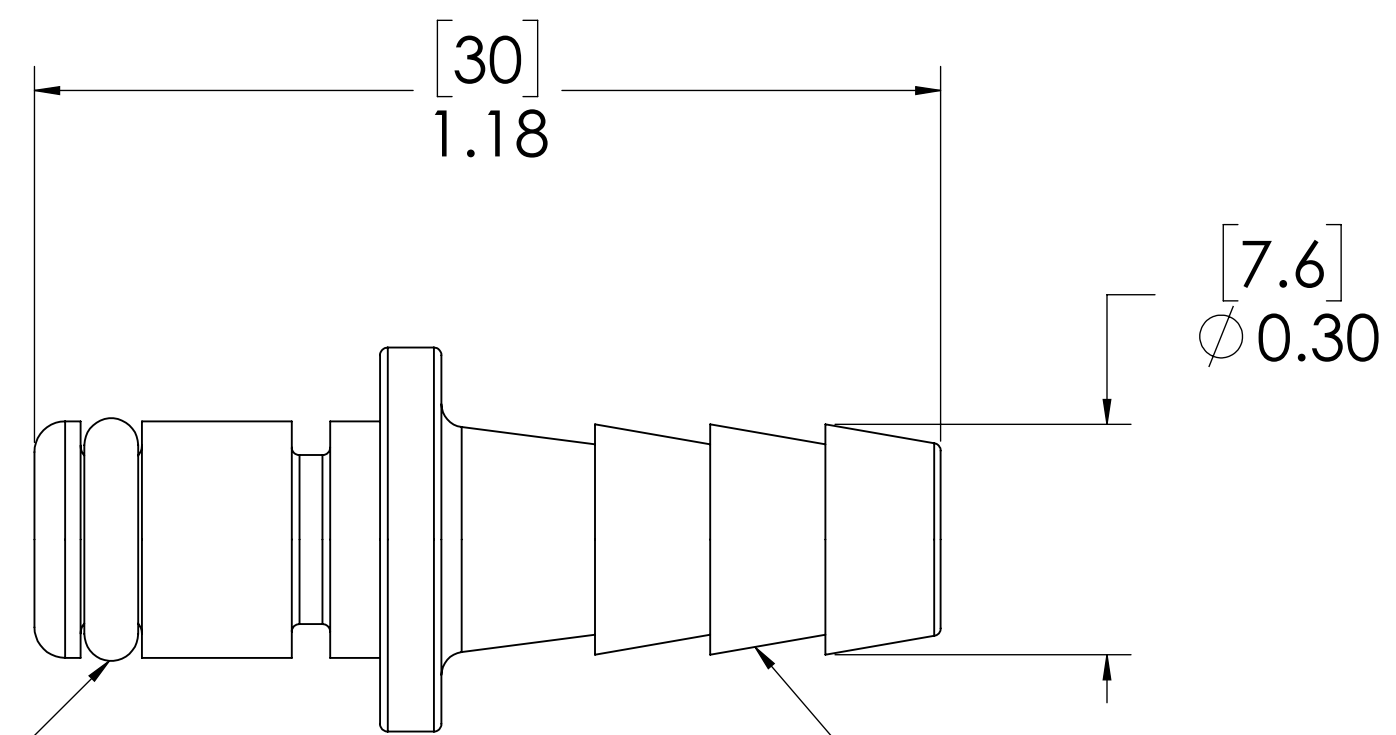
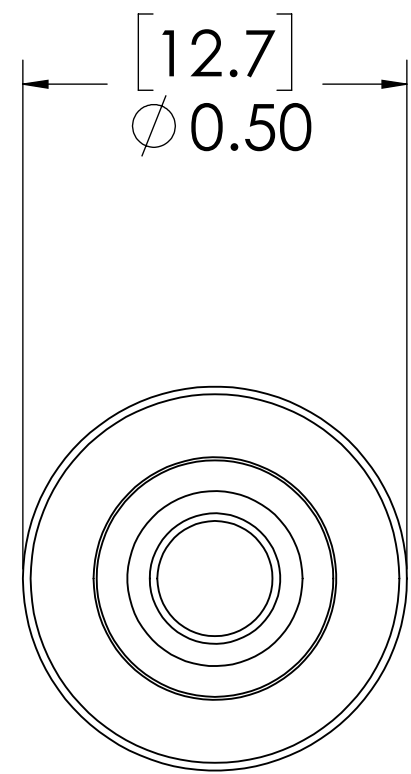
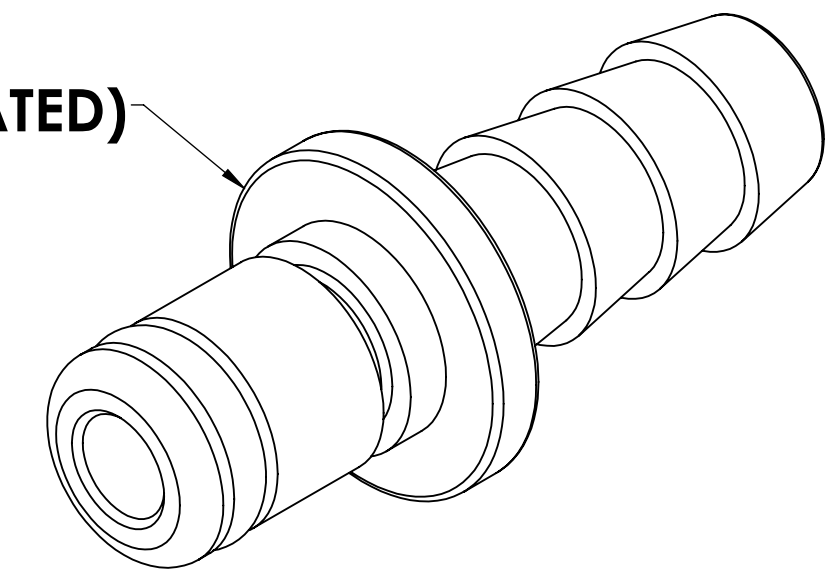


REVISIONS						
SHEET	ZONE	REV.	ECO	DESCRIPTION	DATE	APPROVED
1	ALL	A	50253	UPDATE DWG TO 2017 FORMAT	2/6/2018	HRC

**SOCKET,
(BRASS,
NICKEL AND
CHROME PLATED)**



**O-RING
EXTERNAL,
(BUNA-N)**

1/4' TUBE OD

- NOTES:**
- MATERIAL: BRASS
 - FINISH: CHROME
 - O-RING MATERIAL: BUNA-N
 - O-RINGS LUBRICATED WITH FOOD GRADE SILICONE OIL, 350 CST.

FOR REFERENCE ONLY

<small>UNLESS OTHERWISE SPECIFIED: DIMENSIONS ARE IN INCHES TOLERANCES: FRACTIONAL ± 1/32 ANGULAR, MACH ± 0.5 BEND ± 2 ONE PLACE DECIMAL ± 0.1 TWO PLACE DECIMAL ± 0.01 THREE PLACE DECIMAL ± 0.005 TWO PLACE DUAL (mm) [± 0.12]</small>	DRAWN	RDA	7/12/2017							
	CHECKED	HRC	8/16/2017							
	ENG APPR.	HRC	02-06-18							
	MFG APPR.	BDB	02-06-18							
PRODUCTION	RK	02-06-18		PART NO: 20CB-PB2-04 DESCRIPTION: LinkTech 20CB Series Straight Male, Non-valved, 250 HB, Chrome Brass						
<small>PROPRIETARY AND CONFIDENTIAL THE INFORMATION CONTAINED IN THIS DRAWING IS THE SOLE PROPERTY OF LINKTECH LLC. ANY REPRODUCTION OR DISCLOSURE IN PART OR AS A WHOLE WITHOUT THE WRITTEN PERMISSION OF LINKTECH LLC IS STRICTLY PROHIBITED.</small>	COMMENTS:			<table border="1"> <tr> <td>SIZE</td> <td>DWG. NO.</td> <td>REV</td> </tr> <tr> <td>C</td> <td>20CB200155</td> <td>A</td> </tr> </table>	SIZE	DWG. NO.	REV	C	20CB200155	A
SIZE	DWG. NO.	REV								
C	20CB200155	A								
SCALE: NTS		WEIGHT:	SHEET 1 OF 1							