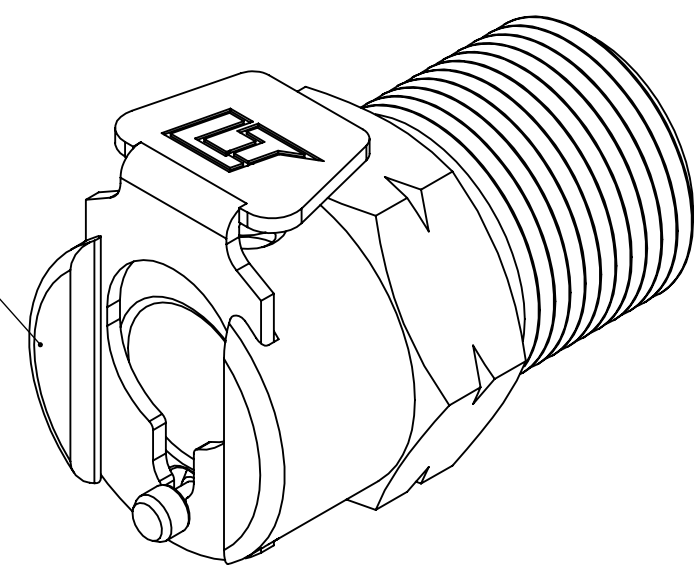
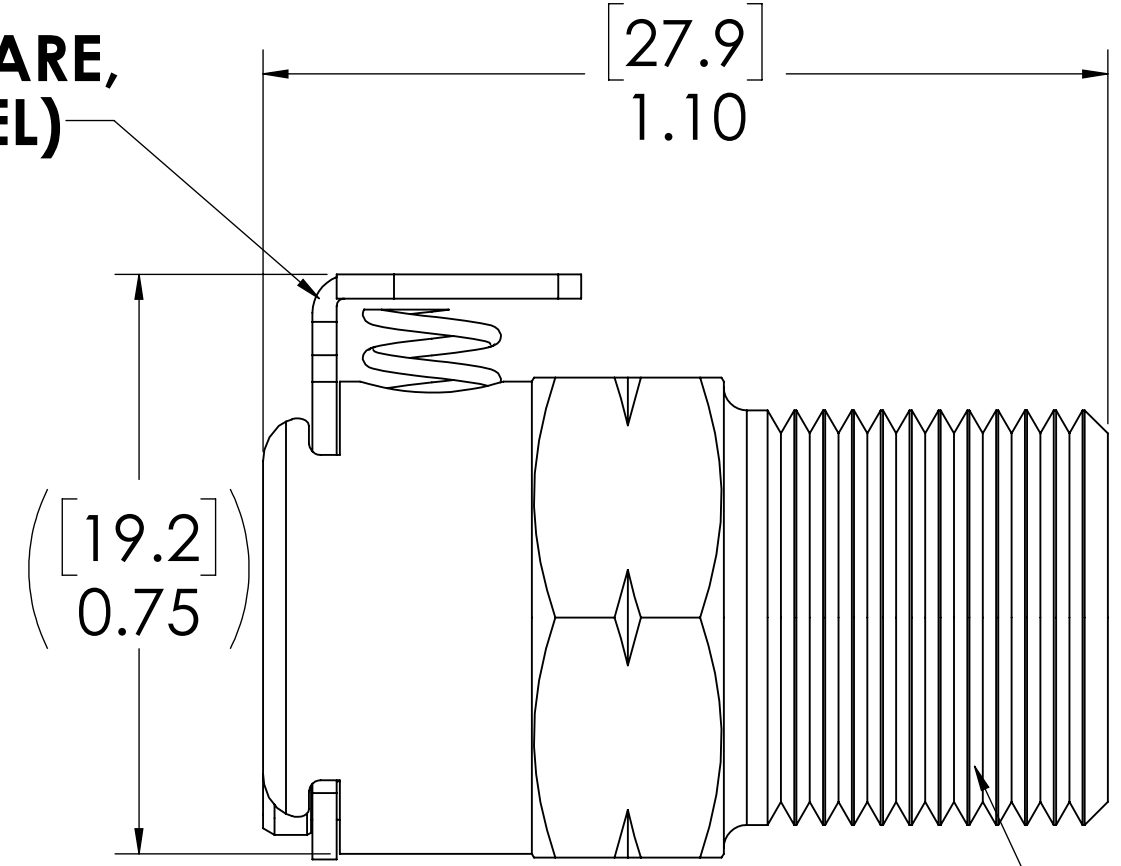


REVISIONS						
SHEET	ZONE	REV.	ECO	DESCRIPTION	DATE	APPROVED
ALL	ALL	A	50242	PIN, PIN SPRING & 2017 FORMAT UPDATE	11/6/2018	HRC

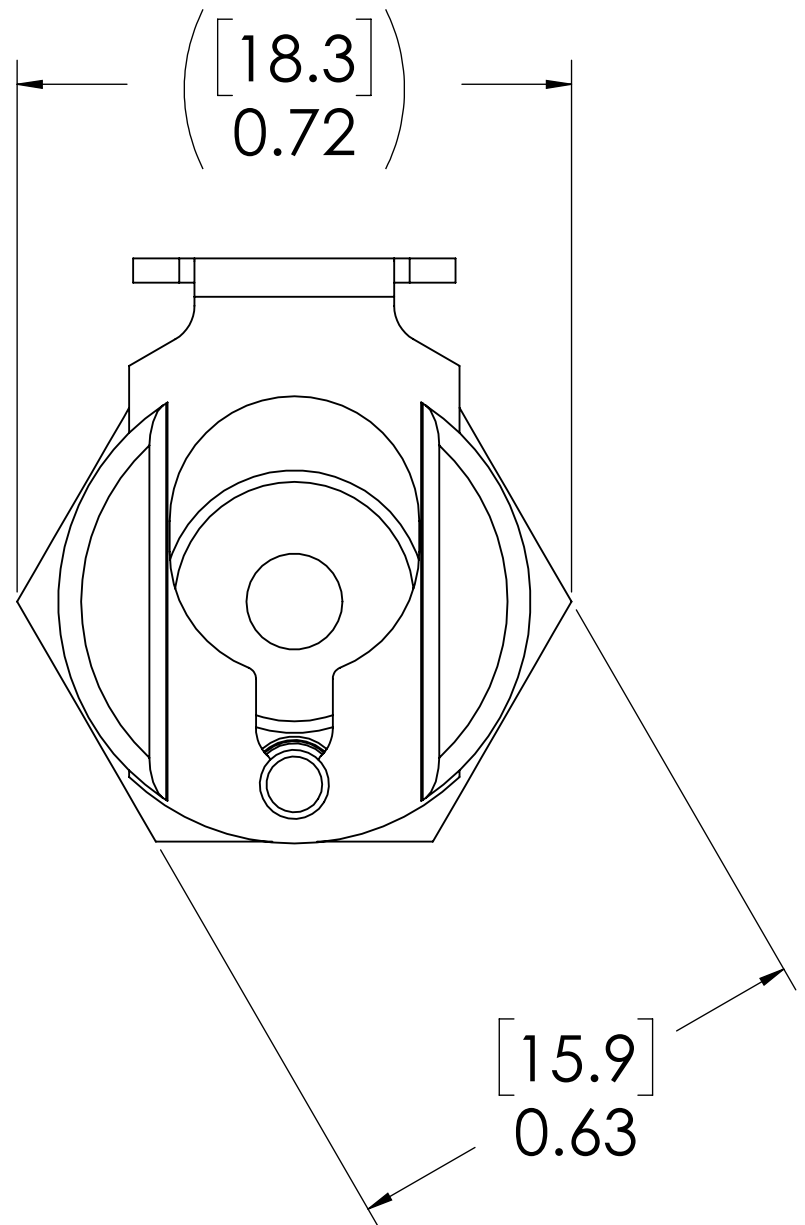
**SOCKET,
(BRASS, NICKEL
AND CHROME PLATED)**



**LATCH HARDWARE,
(STAINLESS STEEL)**




**1/4" BSPT
(PIPE THREAD)**



FOR REFERENCE ONLY

- NOTES:**
- MATERIAL: BRASS
 - COLOR: CHROME

<small>UNLESS OTHERWISE SPECIFIED: DIMENSIONS ARE IN INCHES TOLERANCES: FRACTIONAL ± 1/32 ANGULAR: MACH ± 0.5 BEND ± 2 ONE PLACE DECIMAL ± 0.1 TWO PLACE DECIMAL ± 0.01 THREE PLACE DECIMAL ± 0.005 TWO PLACE DUAL (mm) [± 0.12]</small>	DRAWN	RDA	1/19/2018	 PART NO: 20CB-S1-04BSPT DESCRIPTION: LinkTech 20CB Series Male Thread Female, Non-valved, 250 BSPT, Chrome Brass
	CHECKED	HRC	1/19/2018	
	ENG APPR.	HRC	11/6/18	
	MFG APPR.	BDB	11/6/18	
PRODUCTION	LS	11/6/18		SIZE DWG. NO. REV C 20CB200181 A
<small>PROPRIETARY AND CONFIDENTIAL</small> <small>THE INFORMATION CONTAINED IN THIS DRAWING IS THE SOLE PROPERTY OF LINKTECH LLC. ANY REPRODUCTION OR DISCLOSURE IN PART OR AS A WHOLE WITHOUT THE WRITTEN PERMISSION OF LINKTECH LLC IS STRICTLY PROHIBITED.</small>			COMMENTS:	SCALE: NTS WEIGHT: SHEET 1 OF 1