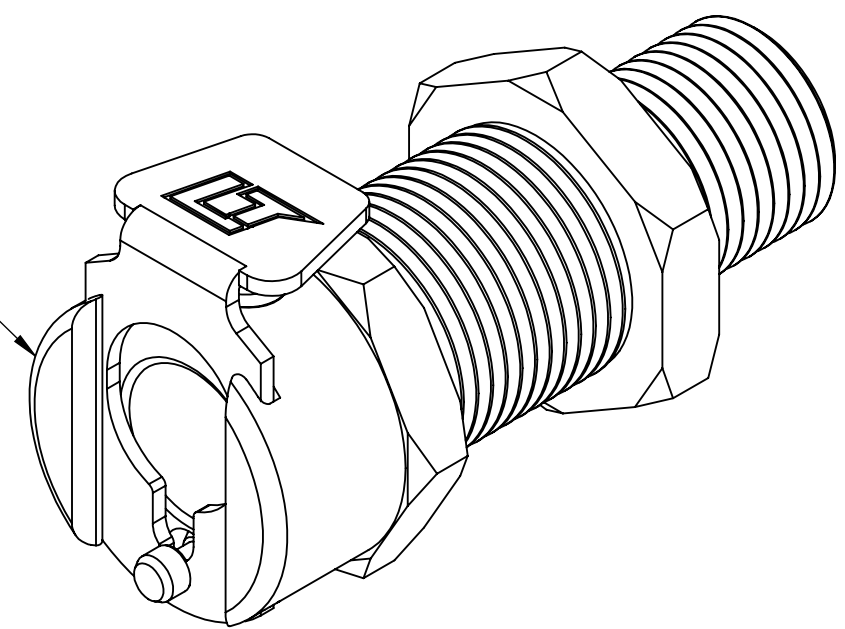
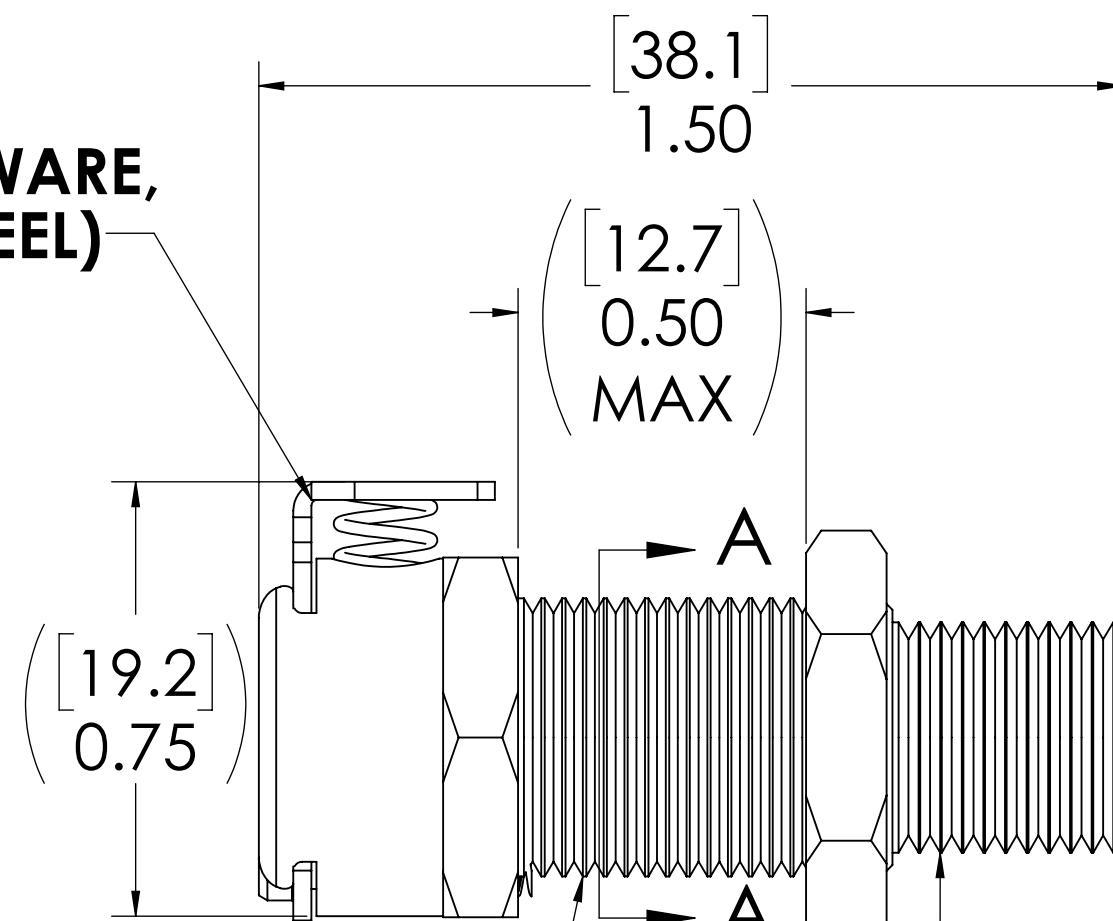


REVISIONS						
SHEET	ZONE	REV.	ECO	DESCRIPTION	DATE	APPROVED
ALL	ALL	A	50242	PIN, PIN SPRING & 2017 FORMAT UPDATE	11/6/2018	HRC

**SOCKET,
(BRASS, NICKEL
AND CHROME PLATED)**



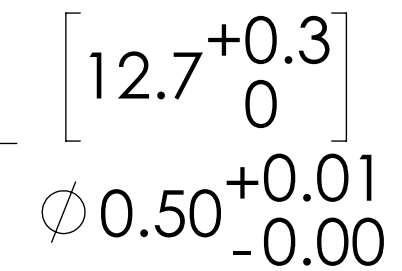
**LATCH HARDWARE,
(STAINLESS STEEL)**



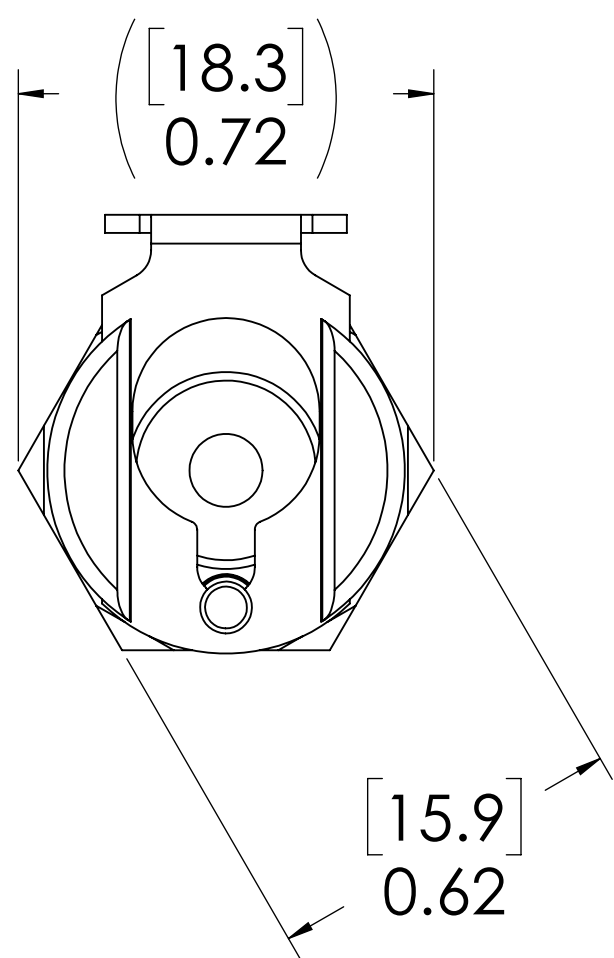
1/2"-24 UNS THREAD

**1/8" NPT
(PIPE THREAD)**

**PANEL NUT
(BRASS, NICKEL PLATED)
(PACKAGED SEPARATELY)**



**PANEL OPENING
(SECTION A-A)**



FOR REFERENCE ONLY

- NOTES:**
- MATERIAL: BRASS
 - COLOR: CHROME

UNLESS OTHERWISE SPECIFIED: DIMENSIONS ARE IN INCHES TOLERANCES: FRACTIONAL ± 1/32 ANGULAR, MACH ± 0.5 BEND ± 2 ONE PLACE DECIMAL ± 0.1 TWO PLACE DECIMAL ± 0.01 THREE PLACE DECIMAL ± 0.005 TWO PLACE DECIMAL (mm) [± 0.12]	DRAWN	RDA	1/22/2018	
	CHECKED	HRC	1/22/2018	
	ENG APPR.	HRC	11/6/18	
	MFG APPR.	BDB	11/6/18	
PRODUCTION	LS	11/6/18		PART NO: 20CB-S12-02 DESCRIPTION: LinkTech 20CB Series Panel Mt. Female, Male Thread, Non-valved, 125 MNPT, Chrome Brass
<small>THE INFORMATION CONTAINED IN THIS DRAWING IS THE SOLE PROPERTY OF LINKTECH LLC. ANY REPRODUCTION OR DISCLOSURE IN PART OR AS A WHOLE WITHOUT THE WRITTEN PERMISSION OF LINKTECH LLC IS STRICTLY PROHIBITED.</small>	PROPRIETARY AND CONFIDENTIAL			SIZE DWG. NO. REV C 20CB200183 A
	COMMENTS:			SCALE: NTS WEIGHT: SHEET 1 OF 1