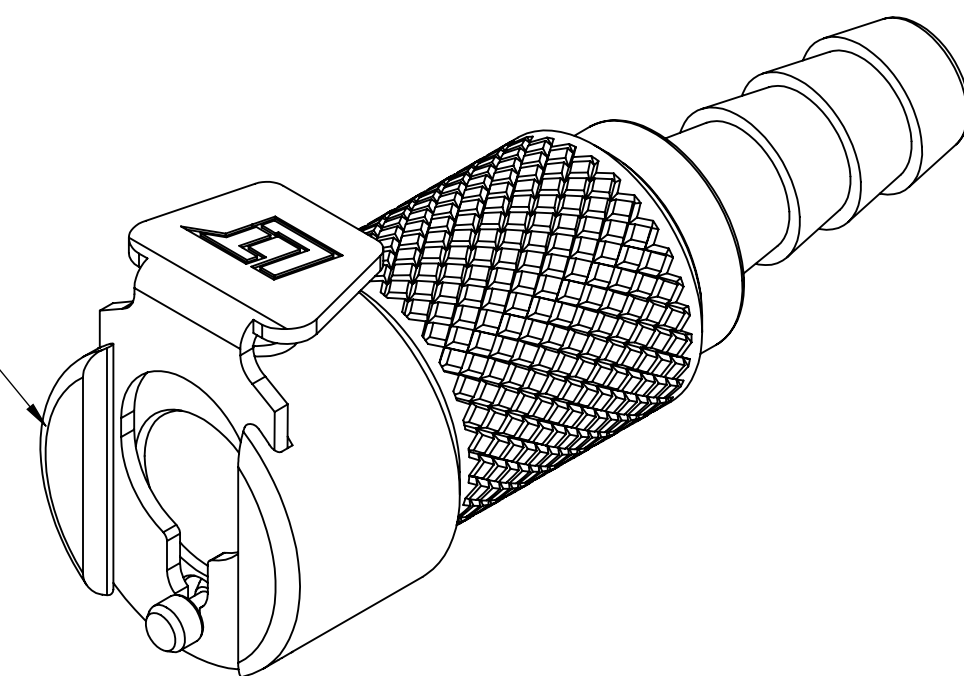
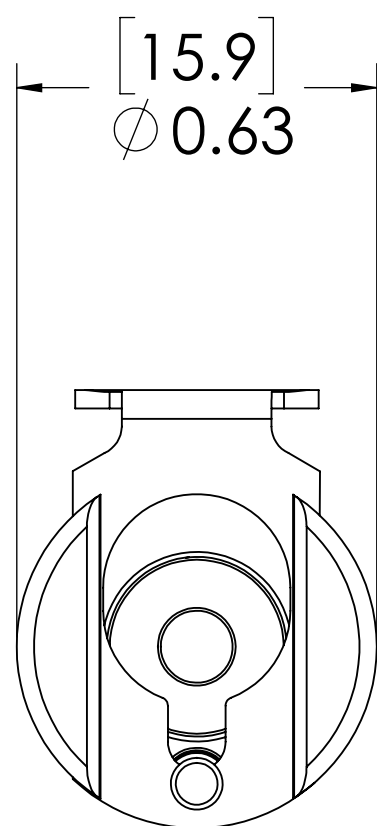
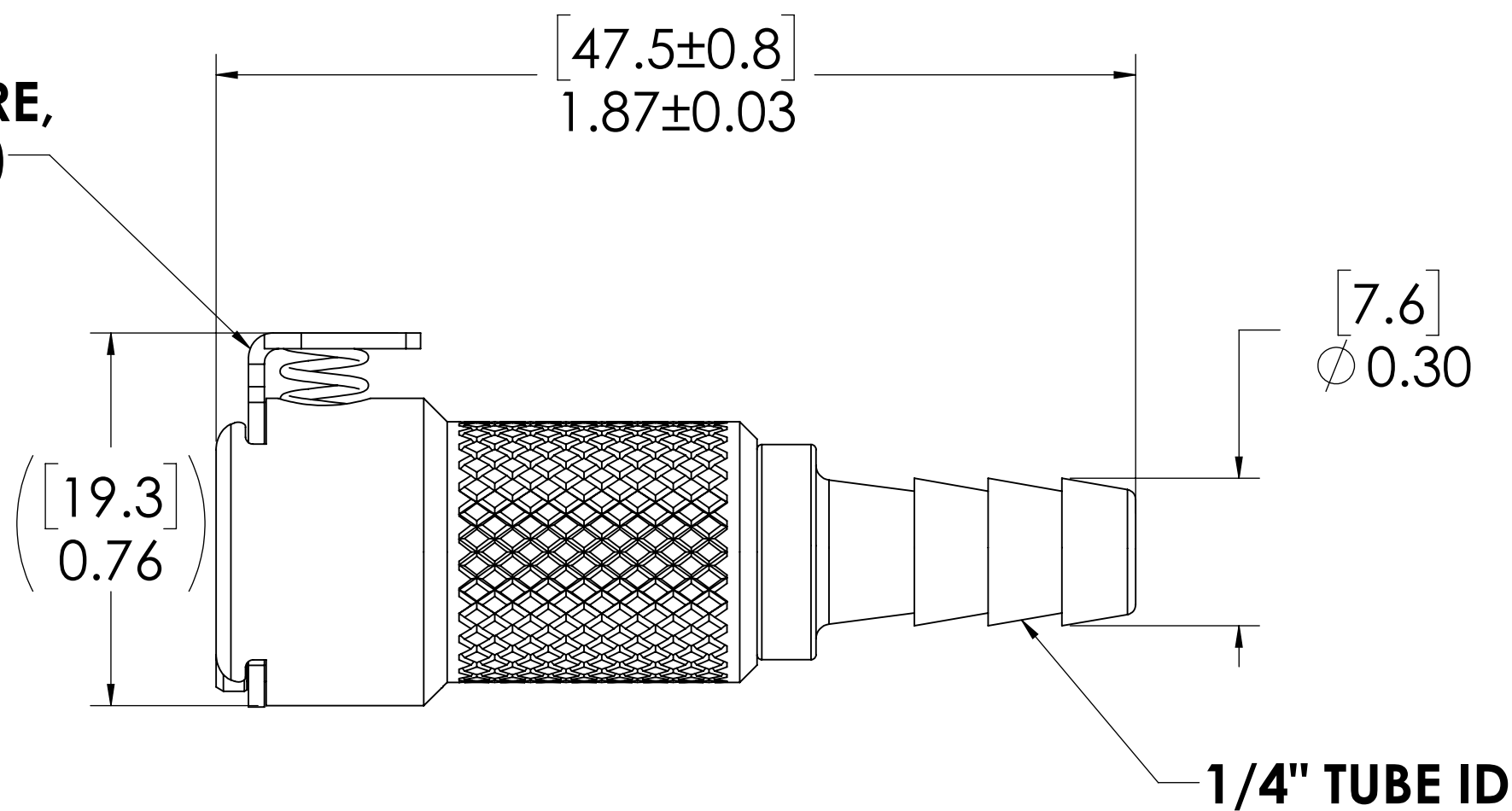


REVISIONS						
SHEET	ZONE	REV.	ECO	DESCRIPTION	DATE	APPROVED
ALL	ALL	A	50242	PIN, PIN SPRING & FORMAT UPDATE	11/6/2018	HRC

**SOCKET,
(BRASS, NICKEL
AND CHROME PLATED)**




**LATCH HARDWARE,
(STAINLESS STEEL)**



FOR REFERENCE ONLY

NOTES:

- MATERIAL: BRASS
- FINISH: CHROME

UNLESS OTHERWISE SPECIFIED: DIMENSIONS ARE IN INCHES TOLERANCES: FRACTIONAL ± 1/32 ANGULAR: MACH ± 0.5 BEND ± 2 ONE PLACE DECIMAL ± 0.1 TWO PLACE DECIMAL ± 0.01 THREE PLACE DECIMAL ± 0.005 TWO PLACE DUAL (mm) [± 0.12]	DRAWN	RDA	1/22/2018	 PART NO: 20CB-S2-04
	CHECKED	HRC	1/22/18	
PROPRIETARY AND CONFIDENTIAL THE INFORMATION CONTAINED IN THIS DRAWING IS THE SOLE PROPERTY OF LINKTECH LLC. ANY REPRODUCTION OR DISCLOSURE IN PART OR AS A WHOLE WITHOUT THE WRITTEN PERMISSION OF LINKTECH LLC IS STRICTLY PROHIBITED.	ENG APPR.	HRC	11/6/18	DESCRIPTION: LinkTech 20CB Series Straight Female, Non-valved, 250 HB, Chrome Brass
	MFG APPR.	BDB	11/6/18	
	PRODUCTION	LS	11/6/18	
	COMMENTS:			
	SIZE	DWG. NO.	REV	
	C	20CB200185	A	
	SCALE: NTS	WEIGHT:	SHEET 1 OF 1	