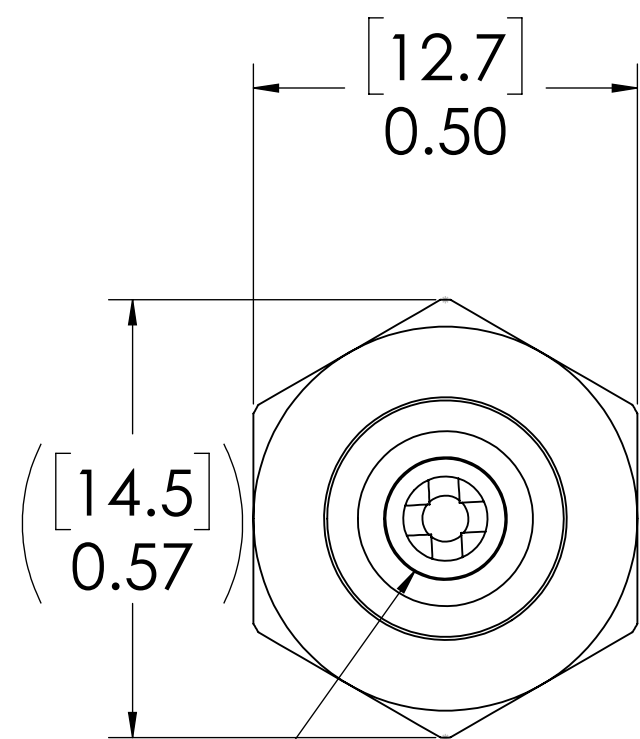
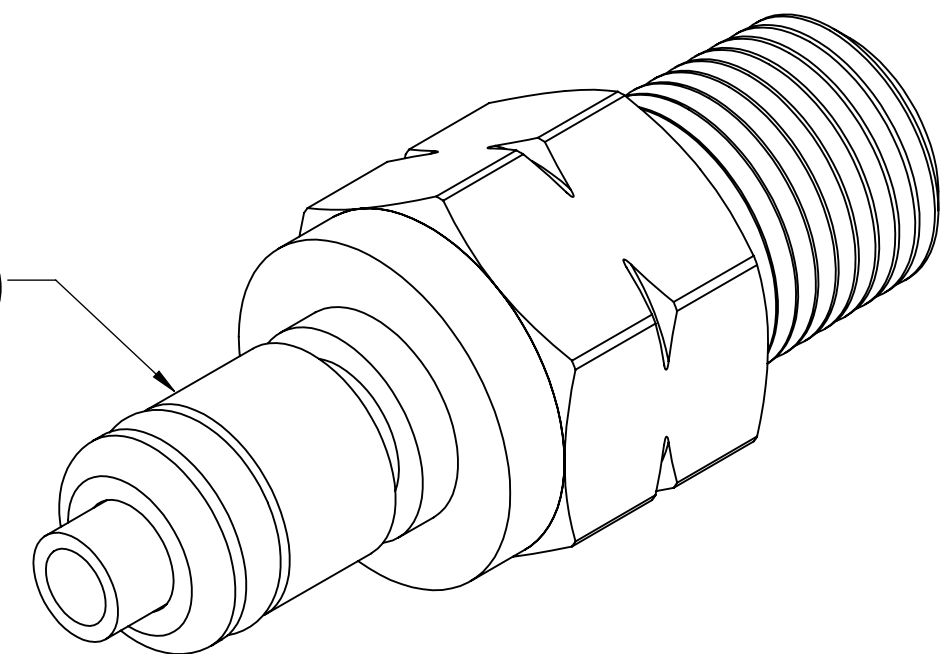


REVISIONS						
SHEET	ZONE	REV.	ECO	DESCRIPTION	DATE	APPROVED
ALL	ALL	A	50253	2017 FORMAT UPDATE	10/18/2018	HRC

**PLUG,
(BRASS, NICKEL
AND CHROME PLATED)**



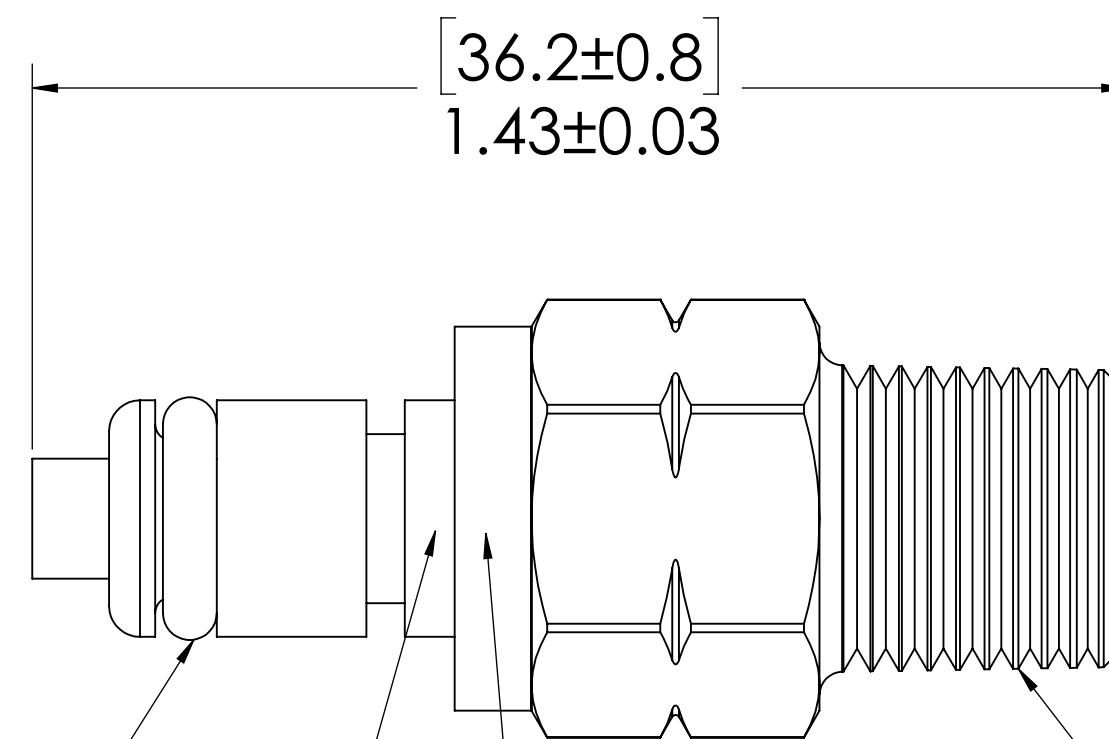
**VALVE
(ACETAL)**

**O-RING
(BUNA-N)**

**VALVE O-RING,
INTERNAL
(BUNA-N)**

**VALVE SPRING,
INTERNAL
(STAINLESS STEEL)**

**1/8" BSPT
(PIPE THREAD)**



NOTES:

1. MATERIAL: BRASS
2. FINISH: CHROME
3. O-RING MATERIAL: BUNA-N
4. O-RINGS LUBRICATED WITH FOOD GRADE SILICONE OIL, 350 CST.

FOR REFERENCE ONLY

<small>UNLESS OTHERWISE SPECIFIED: DIMENSIONS ARE IN INCHES TOLERANCES: FRACTIONAL ±1/32 ANGULAR: MACH ±0.5 BEND ±2 ONE PLACE DECIMAL ±0.1 TWO PLACE DECIMAL ±0.01 THREE PLACE DECIMAL ±0.005 TWO PLACE DUAL (mm) [±0.12]</small>	DRAWN	RDA	1/23/2018	
	CHECKED	HRC	1/23/2018	
	ENG APPR.	HRC	10/18/18	
	MFG APPR.	BDB	10/18/18	
PRODUCTION	LS	10/18/18		PART NO: 20CBV-PB1-02BSPT DESCRIPTION: LinkTech 20CB Series Male Thread Male, Valved, 125 BSPT, Chrome Brass
<small>PROPRIETARY AND CONFIDENTIAL THE INFORMATION CONTAINED IN THIS DRAWING IS THE SOLE PROPERTY OF LINKTECH LLC. ANY REPRODUCTION OR DISCLOSURE IN PART OR AS A WHOLE WITHOUT THE WRITTEN PERMISSION OF LINKTECH LLC IS STRICTLY PROHIBITED.</small>	COMMENTS:			SIZE DWG. NO. REV C 20CB200186 A
SCALE: NTS		WEIGHT:	SHEET 1 OF 1	