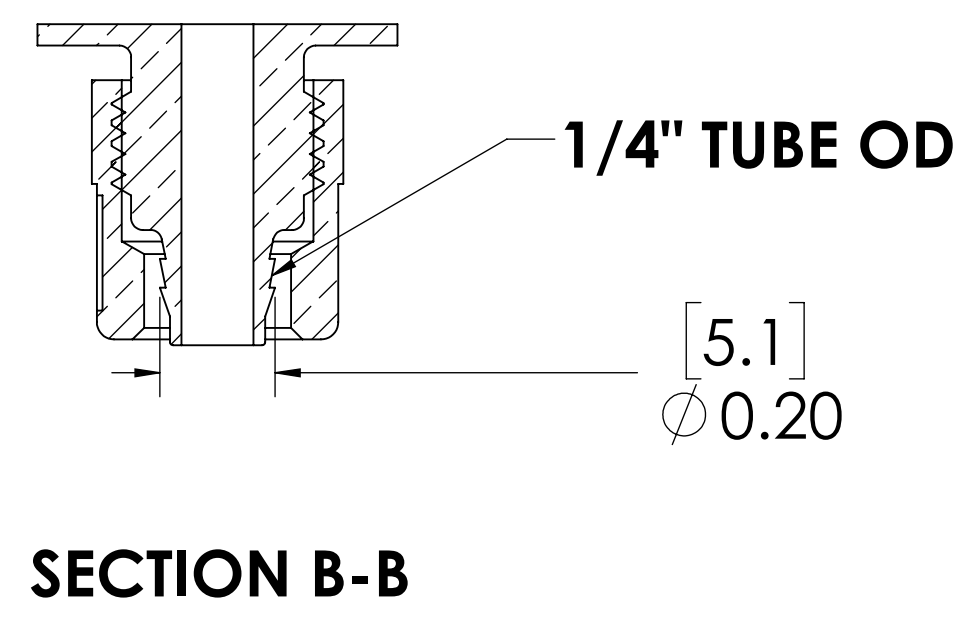
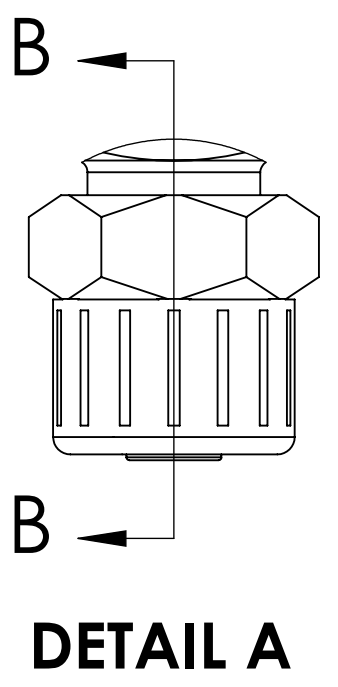
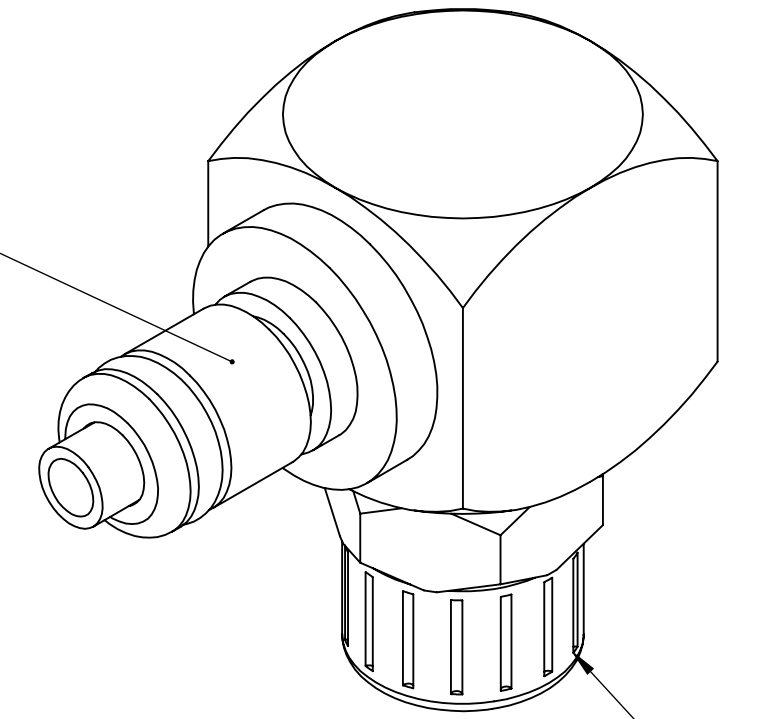


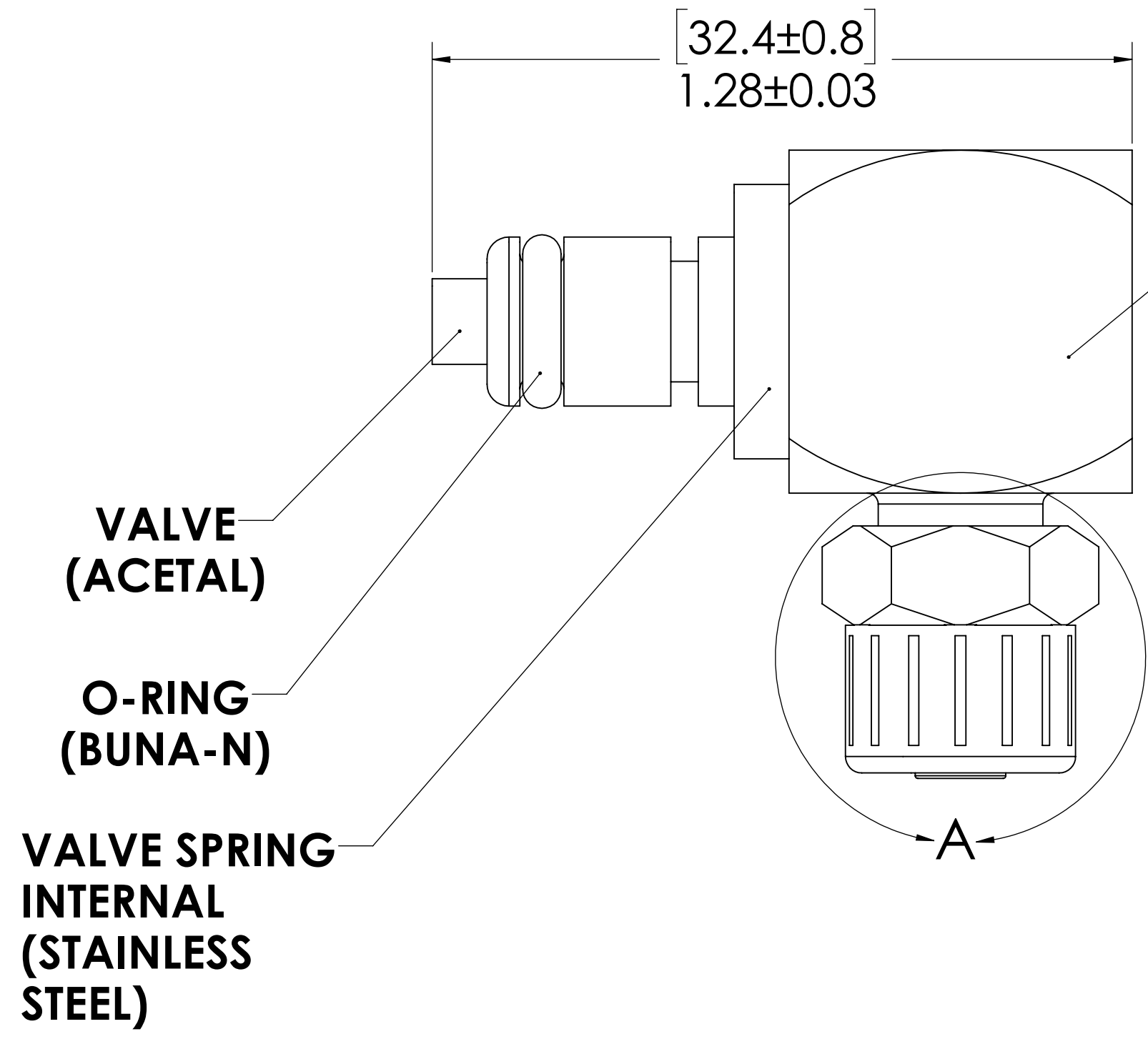
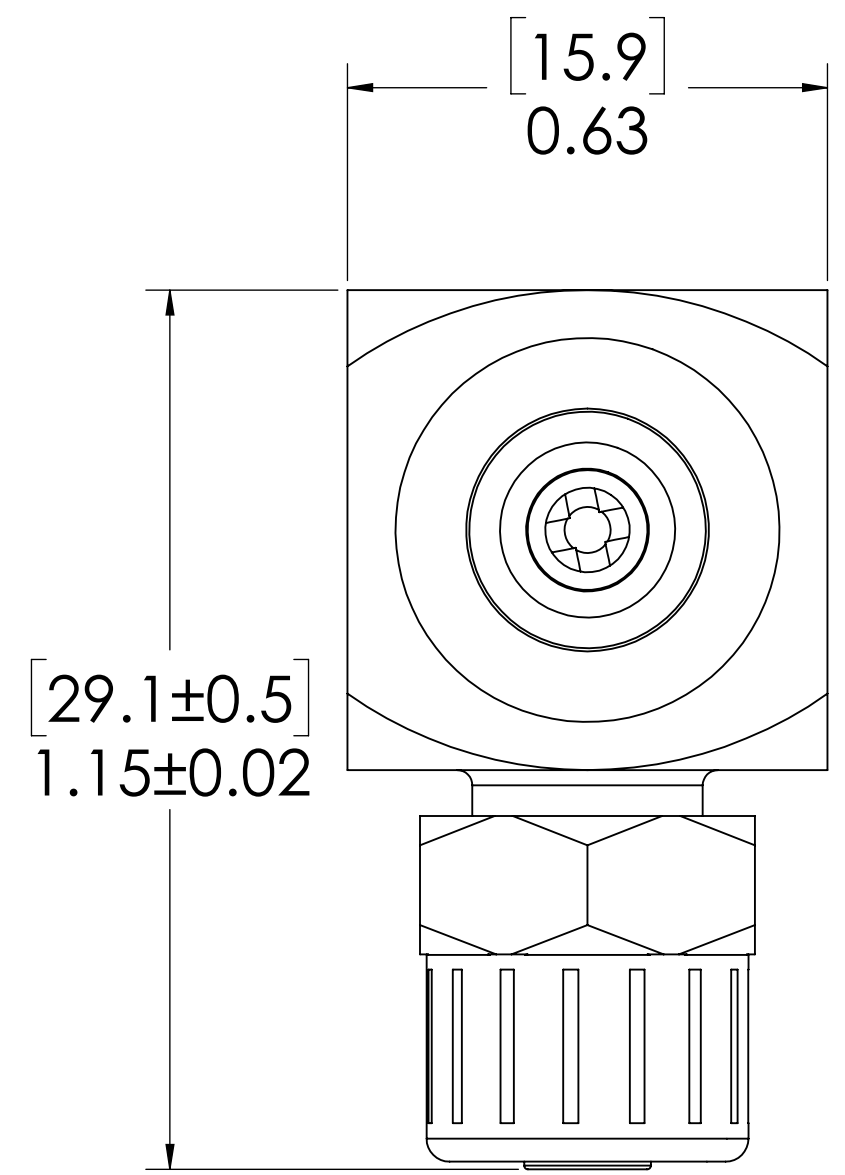
| REVISIONS |      |      |       |                     |           |          |
|-----------|------|------|-------|---------------------|-----------|----------|
| SHEET     | ZONE | REV. | ECO   | DESCRIPTION         | DATE      | APPROVED |
| 1         | ALL  | A    | 50253 | DWG DRAFTING UPDATE | 5/15/2018 | HRC      |



**PLUG, (BRASS, NICKEL AND CHROME PLATED)**



**PTF NUT (BRASS, NICKEL PLATED) (PACKAGED SEPARATELY)**



**VALVE O-RING INTERNAL (BUNA-N)**

**NOTES:**

- MATERIAL: BRASS
- FINISH: CHROME
- O-RING MATERIAL: BUNA-N
- O-RINGS LUBRICATED WITH FOOD GRADE SILICONE OIL, 350 CST.

**FOR REFERENCE ONLY**

|   |            |                             |           |  |
|---|------------|-----------------------------|-----------|--|
| <small>UNLESS OTHERWISE SPECIFIED:<br/>DIMENSIONS ARE IN INCHES<br/>TOLERANCES:<br/>FRACTIONAL ±1/32<br/>ANGULAR: MACH ±0.5 BEND ±2<br/>ONE PLACE DECIMAL ±0.1<br/>TWO PLACE DECIMAL ±0.01<br/>THREE PLACE DECIMAL ±0.005<br/>TWO PLACE DUAL (mm) [±0.12]</small> | DRAWN      | CBH                         | 8/10/2017 |  |
|   | CHECKED    | HRC                         | 8/10/2017 |  |
|   | ENG APPR.  | HRC                         | 5/15/18   |  |
|   | MFG APPR.  | BDB                         | 5/15/18   |  |
| <small>PROPRIETARY AND CONFIDENTIAL<br/>THE INFORMATION CONTAINED IN THIS DRAWING IS THE SOLE PROPERTY OF LINKTECH LLC. ANY REPRODUCTION OR DISCLOSURE IN PART OR AS A WHOLE WITHOUT THE WRITTEN PERMISSION OF LINKTECH LLC IS STRICTLY PROHIBITED.</small>       | PURCHASING | RK                          | 5/15/18   | <b>PART NO. 20CBV-PB10-04</b><br><small>DESCRIPTION:<br/>LinkTech 20CB Series Elbow Male, Valved,<br/>1/4" PTF, Chrome Brass</small> |
| <small>SCALE: NTS WEIGHT:</small>   |            | <small>SHEET 1 OF 1</small> |           | <small>REV</small><br><b>A</b>   |