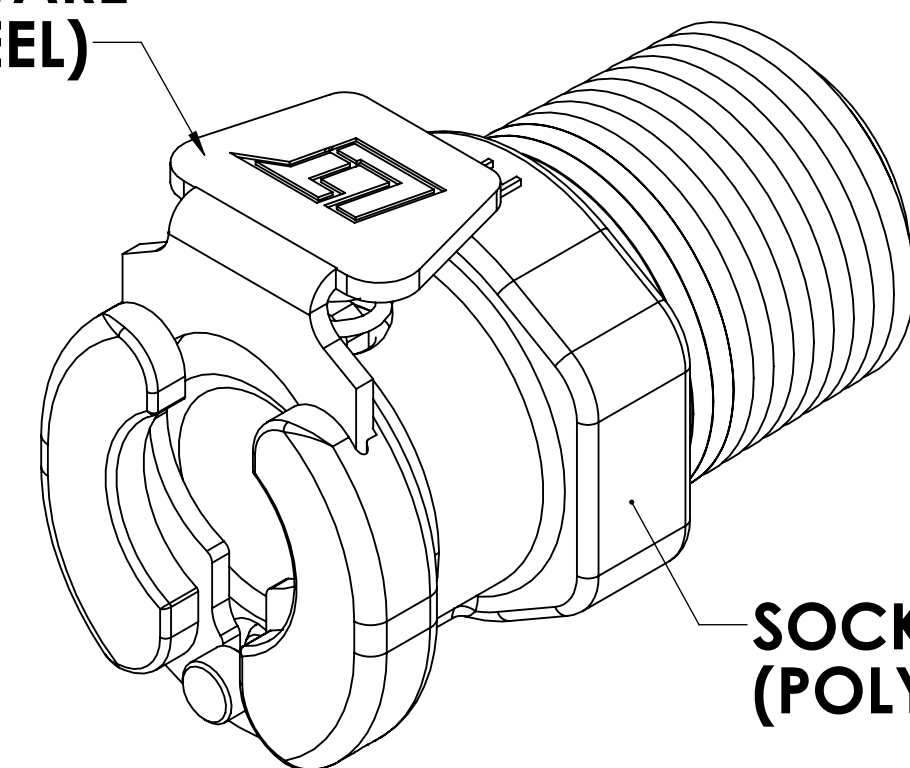
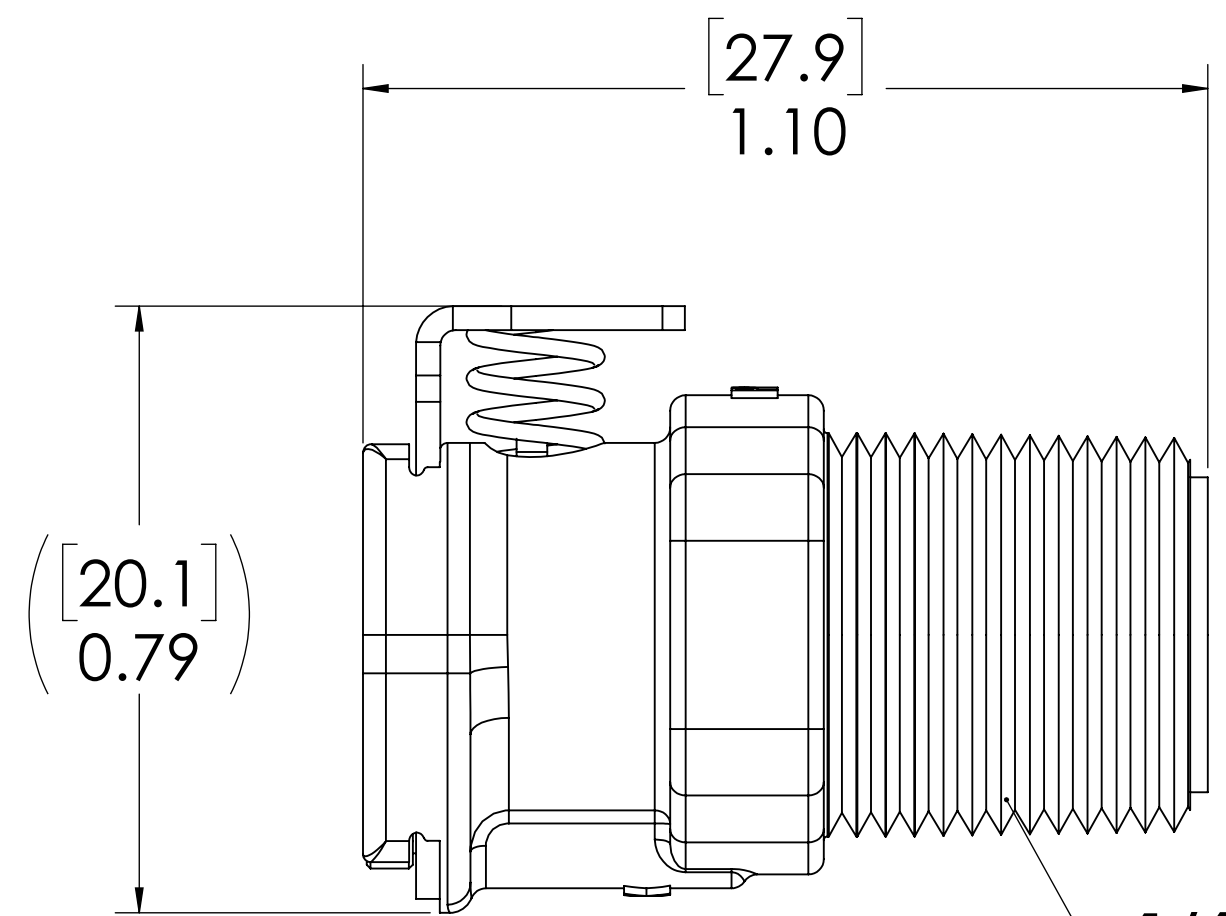
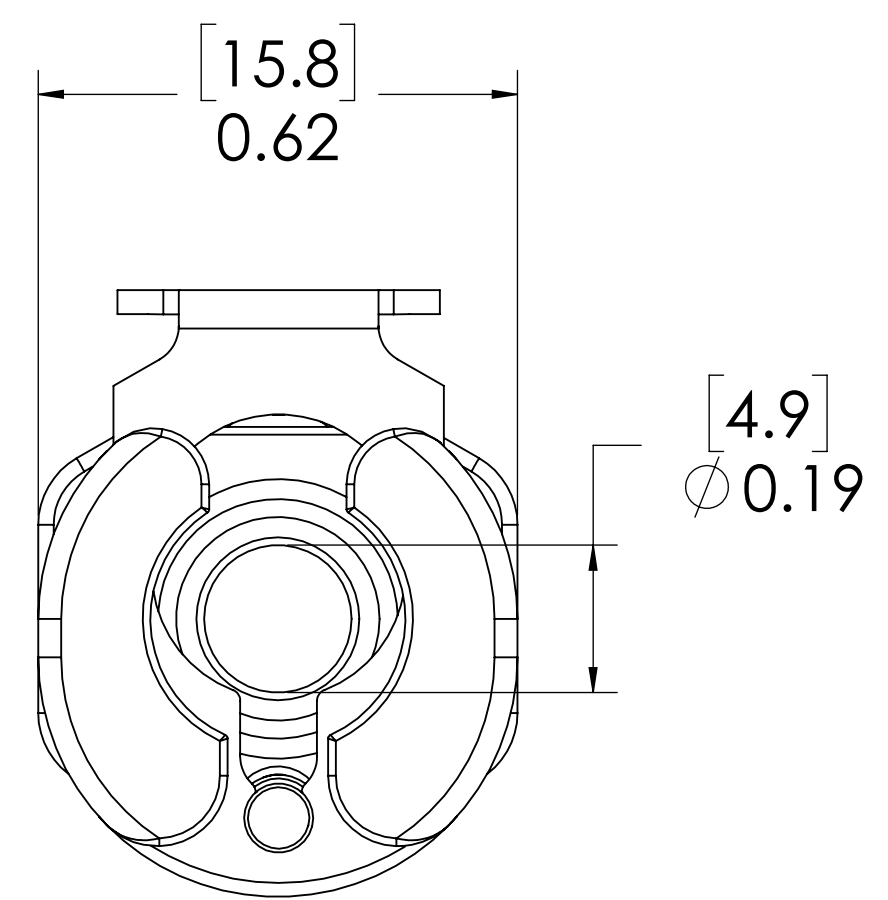


REVISIONS						
SHEET	ZONE	REV.	ECO	DESCRIPTION	DATE	APPROVED
1	ALL	A	50242	UPDATE DWG TO CURRENT FORMAT & STANDARDS	11/6/2018	HRC

**LATCH HARDWARE
(STAINLESS STEEL)**




**SOCKET
(POLYPROPYLENE)**



**1/4" NPT
(PIPE THREAD)**

- NOTES:**
- MATERIAL: POLYPROPYLENE
 - COLOR: MOLDED ALMOND

FOR REFERENCE ONLY

<small>UNLESS OTHERWISE SPECIFIED: DIMENSIONS ARE IN INCHES TOLERANCES: FRACTIONAL ± 1/32 ANGULAR, MACH: ± 0.5 BEND ± 2 ONE PLACE DECIMAL ± 0.1 TWO PLACE DECIMAL ± 0.01 THREE PLACE DECIMAL ± 0.005 TWO PLACE DUAL (mm) [± 0.12]</small>	DRAWN	LMP	6/5/2018	 PART NO: 20PP-S1-04MALD DESCRIPTION: LinkTech 20PP Series, Male Thread Socket, Non-Valved, 1/4" NPT, Molded Almond Color, Polypropylene
	CHECKED	HRC	6/5/2018	
	ENG APPR.	HRC	11/6/18	
	MFG APPR.	BDB	11/6/18	
<small>PROPRIETARY AND CONFIDENTIAL THE INFORMATION CONTAINED IN THIS DRAWING IS THE SOLE PROPERTY OF LINKTECH LLC. ANY REPRODUCTION OR DISCLOSURE IN PART OR AS A WHOLE WITHOUT THE WRITTEN PERMISSION OF LINKTECH LLC IS STRICTLY PROHIBITED.</small>	PRODUCTION	LS	11/6/18	SIZE DWG. NO. REV C 20PP200204 A
<small>COMMENTS:</small>			SCALE: NTS WEIGHT: SHEET 1 OF 1	