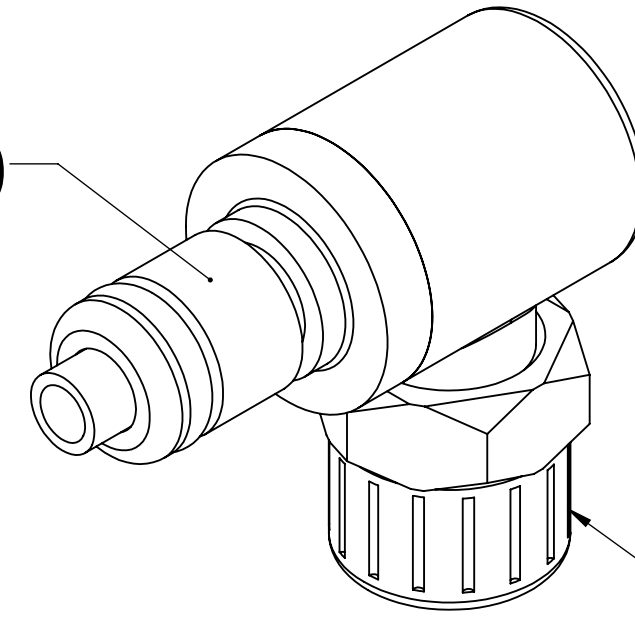


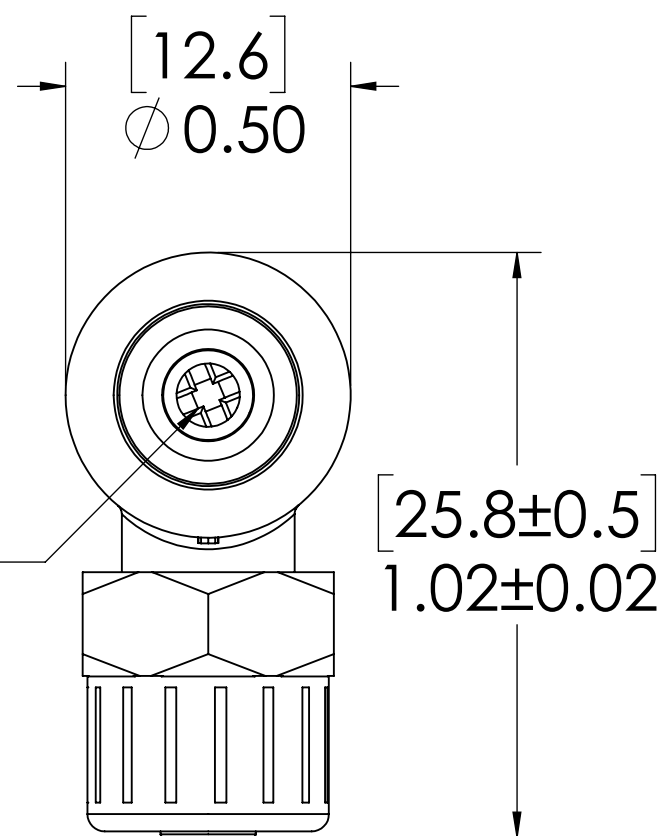
REVISIONS						
SHEET	ZONE	REV.	ECO	DESCRIPTION	DATE	APPROVED
1	ALL	A	50281	FORMAT UPDATE	10/14/2019	HRC

**PLUG
(POLYPROPYLENE)**



**PTF NUT
(BRASS, NICKEL PLATED)
(PACKAGED SEPARATELY)**

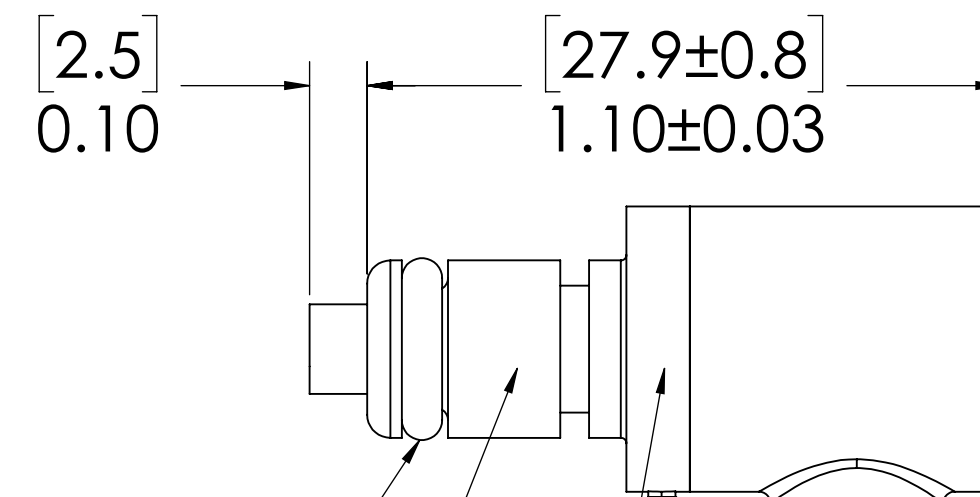
**VALVE
(POLYPROPYLENE)**



**VALVE SPRING
INTERNAL
(STAINLESS STEEL)**

**VALVE O-RING
INTERNAL
(EPDM)**

**O-RING
(EPDM)**



1/4" TUBE OD

**5.1
Ø 0.20**

NOTES:

- MATERIAL: POLYPROPYLENE
- COLOR: ALMOND
- O-RING MATERIAL: EPDM
- O-RINGS LUBRICATED WITH FOOD GRADE SILICONE OIL, 350 CST.

FOR REFERENCE ONLY

<small>UNLESS OTHERWISE SPECIFIED: DIMENSIONS ARE IN INCHES TOLERANCES: FRACTIONAL ± 1/32 ANGULAR: MACH ± 0.5 BEND ± 2 ONE PLACE DECIMAL ± 0.1 TWO PLACE DECIMAL ± 0.01 THREE PLACE DECIMAL ± 0.005 TWO PLACE DUAL (mm) [± 0.12]</small>	DRAWN	RDA	9/6/2019	
	CHECKED	HRC	XX/XX/XX	
	ENG APPR.	XXX	XX/XX/XX	
	MFG APPR.	XXX	XX/XX/XX	
<small>PROPRIETARY AND CONFIDENTIAL</small>	Q.A.	XXX	XX/XX/XX	PART NO: 20PPV-PE10-04MALD DESCRIPTION: LinkTech 20PP Series Elbow Male, Valved 250 PTF, Molded Almond Color, Polypropylene
<small>THE INFORMATION CONTAINED IN THIS DRAWING IS THE SOLE PROPERTY OF LINKTECH LLC. ANY REPRODUCTION OR DISCLOSURE IN PART OR AS A WHOLE WITHOUT THE WRITTEN PERMISSION OF LINKTECH LLC IS STRICTLY PROHIBITED.</small>	COMMENTS:			SIZE DWG. NO. REV C 20PP200238 A
				SCALE: NTS WEIGHT: SHEET 1 OF 1