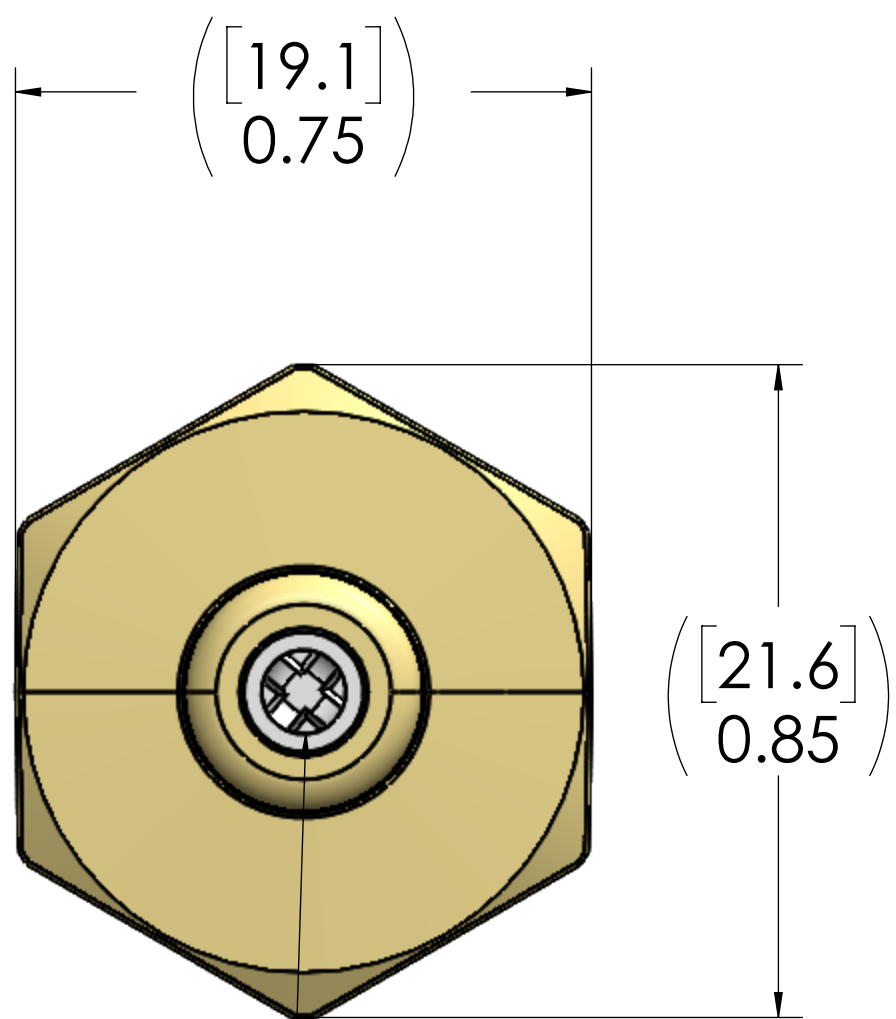
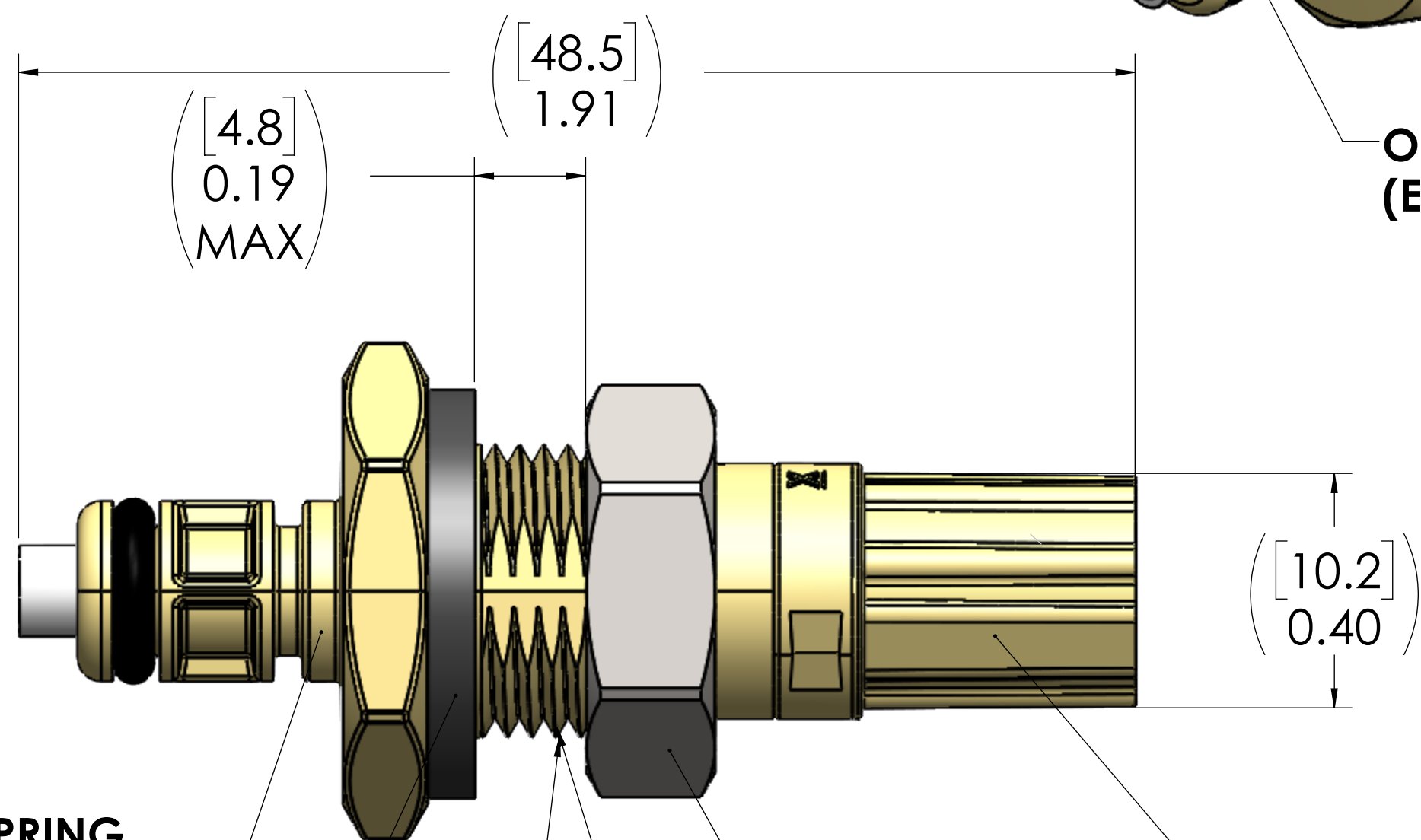


REVISIONS			
REV.	DESCRIPTION	DATE	APPROVED
A	INITIAL RELEASE	12-17-21	FJL



**VALVE,  
(POLYPROPYLENE)**



**VALVE SPRING,  
INTERNAL  
(STAINLESS STEEL)**

**O-RING,  
EXTERNAL  
(EPDM)**

**VALVE O-RING,  
INTERNAL  
(EPDM)**

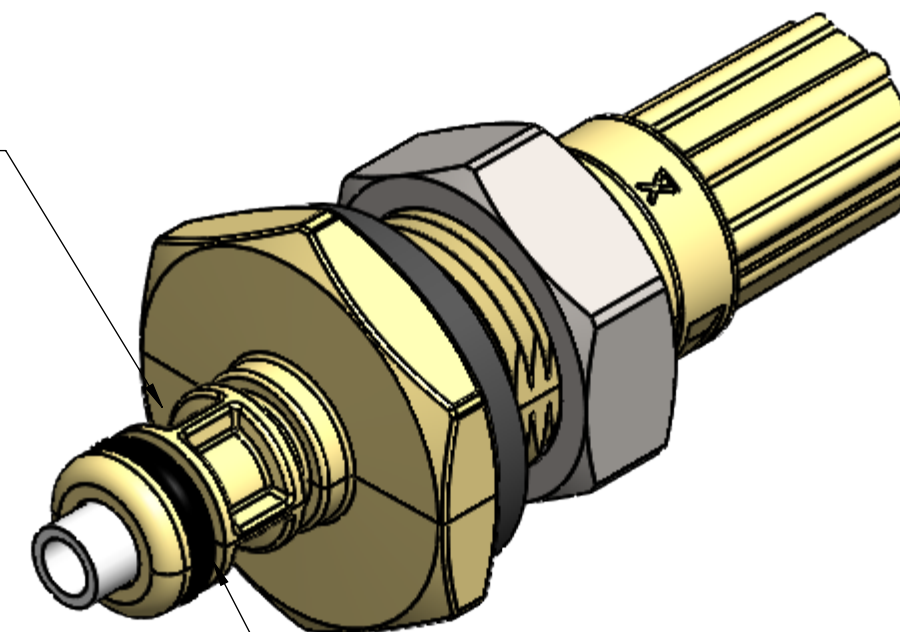
**PANEL NUT,  
(POLYPROPYLENE)  
PACKAGED SEPARATELY**

**1/2\"/>**

**1/4\"/>**

**PLUG,  
(POLYPROPYLENE)**

**O-RING,  
(EPDM)**



**FOR REFERENCE ONLY**

<small>UNLESS OTHERWISE SPECIFIED: DIMENSIONS ARE IN INCHES TOLERANCES: FRACTIONAL ± 1/32 ANGULAR: MACH ± 0.5 BEND ± 2 ONE PLACE DECIMAL ± 0.1 TWO PLACE DECIMAL ± 0.01 THREE PLACE DECIMAL ± 0.005 TWO PLACE DUAL (mm) [± 0.12]</small>	<small>DRAWN</small> CTH	<small>NAME</small> CTH	<small>DATE</small> 10/26/20	
	<small>CHECKED</small> <small>ENG APPR.</small> <small>MFG APPR.</small>	<small>PRODUCTION</small> <small>COMMENTS:</small>	<small>PART NO:</small> <b>20PPV-PE19-04GSPN</b>	
<small>PROPRIETARY AND CONFIDENTIAL THE INFORMATION CONTAINED IN THIS DRAWING IS THE SOLE PROPERTY OF LINKTECH LLC. ANY REPRODUCTION OR DISCLOSURE IN PART OR AS A WHOLE WITHOUT THE WRITTEN PERMISSION OF LINKTECH LLC IS STRICTLY PROHIBITED.</small>	<small>DESCRIPTION:</small> <b>LinkTech 20PP Series Panel Mt. Male, Valved, 1/4-28 UNF, Gasket Seal, Plastic Nut, Polypropylene</b>			<small>SIZE</small> <b>C</b>
	<small>DWG. NO.</small> <b>1190900</b>	<small>REV</small> <b>A</b>	<small>SCALE: NTS</small>	
	<small>WEIGHT:</small>	<small>SHEET 1 OF 1</small>		