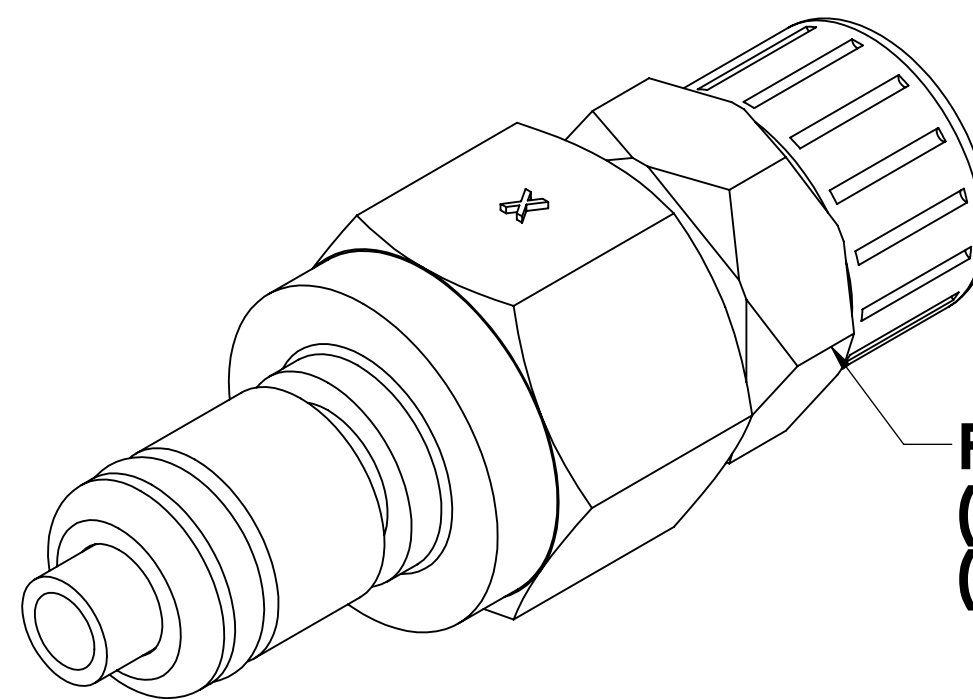
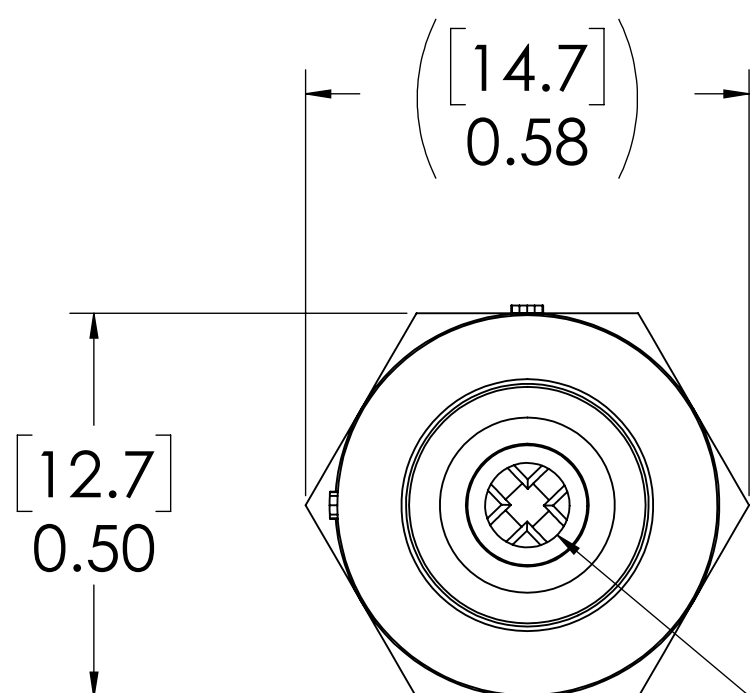


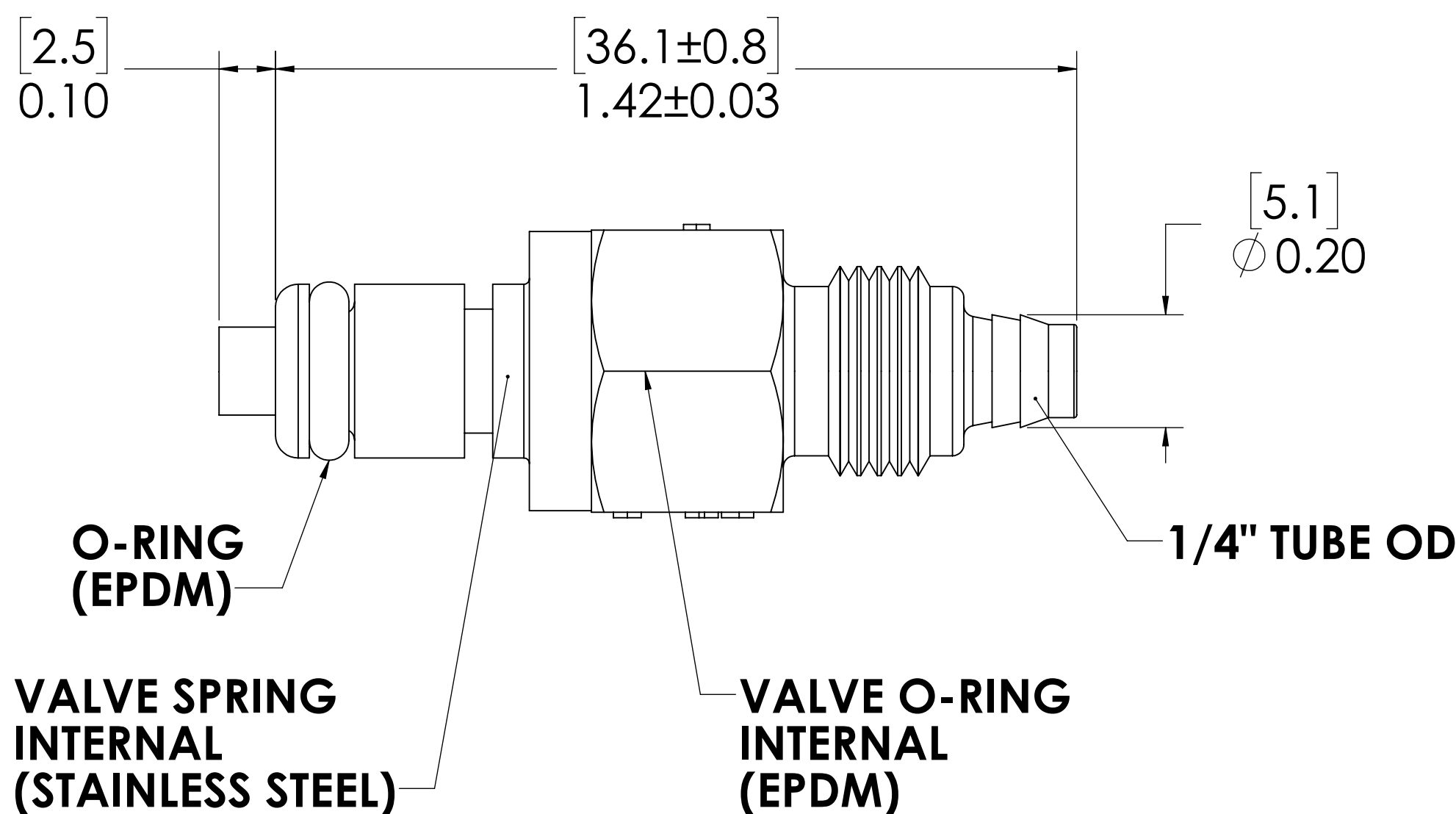
REVISIONS						
SHEET	ZONE	REV.	ECO	DESCRIPTION	DATE	APPROVED
1	ALL	A	50281	FORMAT UPDATE	10/14/2019	HRC



**PTF NUT
(BRASS, NICKEL PLATED)
(PACKAGED SEPARATELY)**



**VALVE
(POLYPROPYLENE)**



FOR REFERENCE ONLY

NOTES:

1. MATERIAL: POLYPROPYLENE
2. COLOR: ALMOND
3. O-RING MATERIAL: EPDM
4. O-RINGS LUBRICATED WITH FOOD GRADE SILICONE OIL, 350 CST.

<small>UNLESS OTHERWISE SPECIFIED: DIMENSIONS ARE IN INCHES TOLERANCES: FRACTIONAL ± 1/32 ANGULAR, MACH ± 0.5 BEND ± 2 ONE PLACE DECIMAL ± 0.1 TWO PLACE DECIMAL ± 0.01 THREE PLACE DECIMAL ± 0.005 TWO PLACE DECIMAL (mm) [±0.12]</small>	DRAWN	RDA	9/10/2019	
	CHECKED	XXX	XX/XX/XX	
	ENG APPR.	HRC	10/14/19	
	MFG APPR.	BDB	10/14/19	
<small>PROPRIETARY AND CONFIDENTIAL</small>	Q.A.	LS	10/14/19	PART NO: 20PPV-PE9-04MALD DESCRIPTION: LinkTech 20PP Series Straight Male, Valved, 250 PTF, Molded Almond Color, Polypropylene
<small>THE INFORMATION CONTAINED IN THIS DRAWING IS THE SOLE PROPERTY OF LINKTECH LLC. ANY REPRODUCTION OR DISCLOSURE IN PART OR AS A WHOLE WITHOUT THE WRITTEN PERMISSION OF LINKTECH LLC IS STRICTLY PROHIBITED.</small>	COMMENTS:			SIZE DWG. NO. C 20PP200241
				REV A
				SCALE: NTS WEIGHT: SHEET 1 OF 1