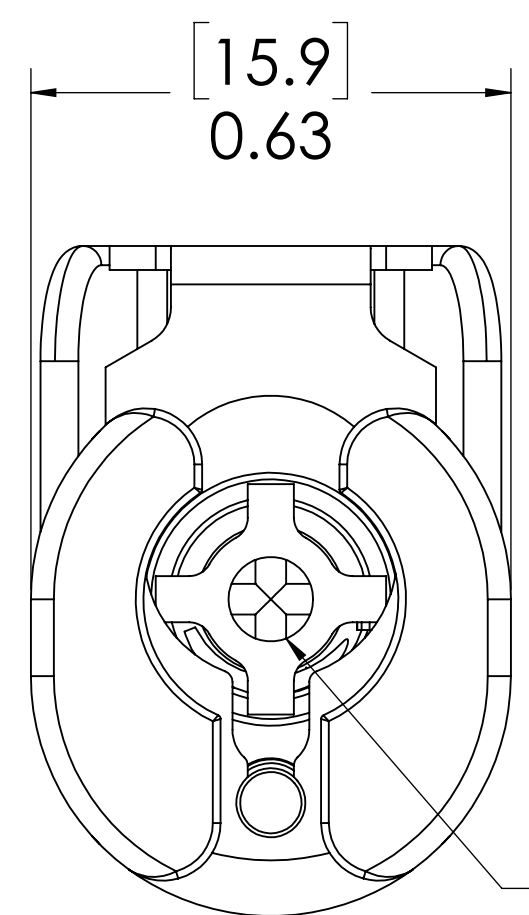
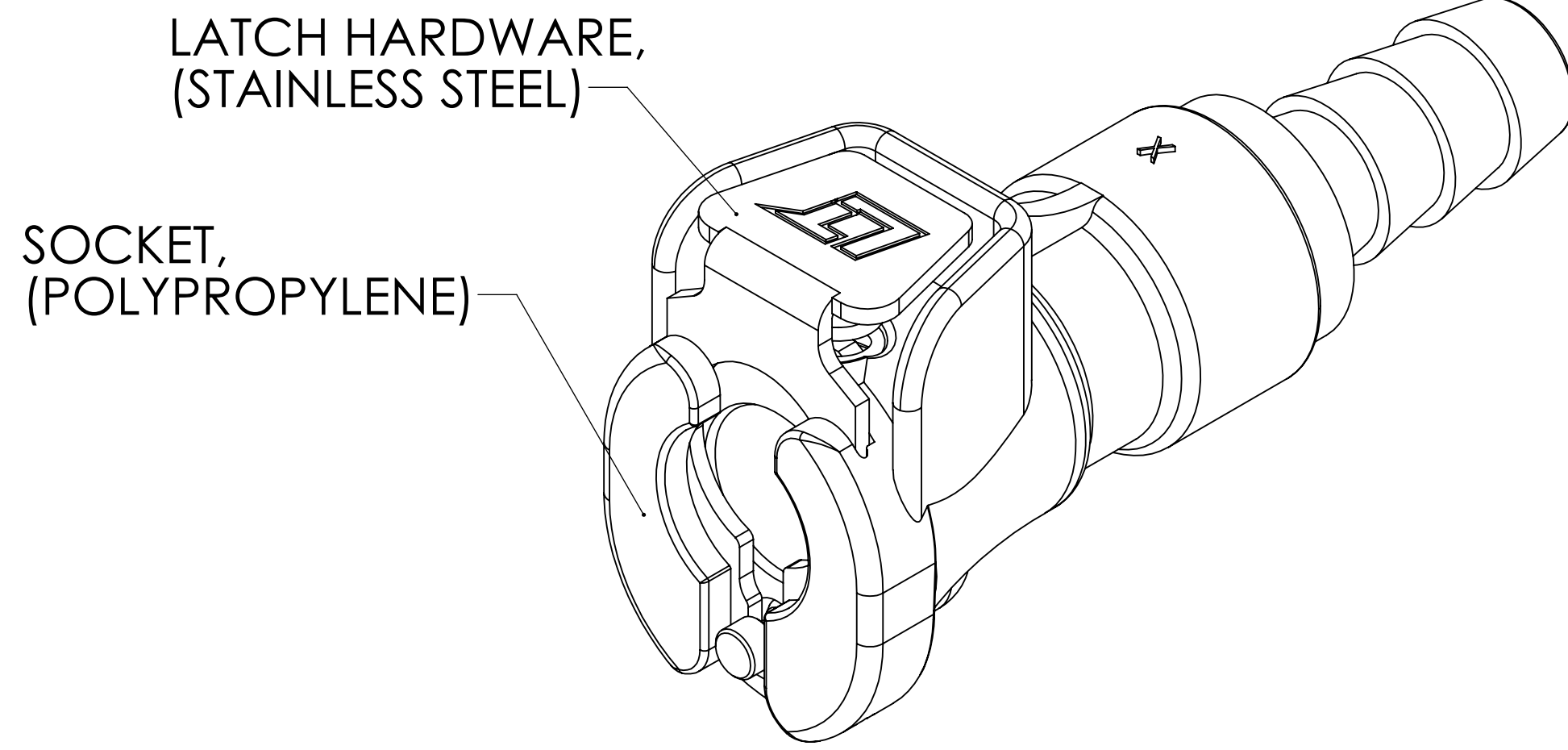
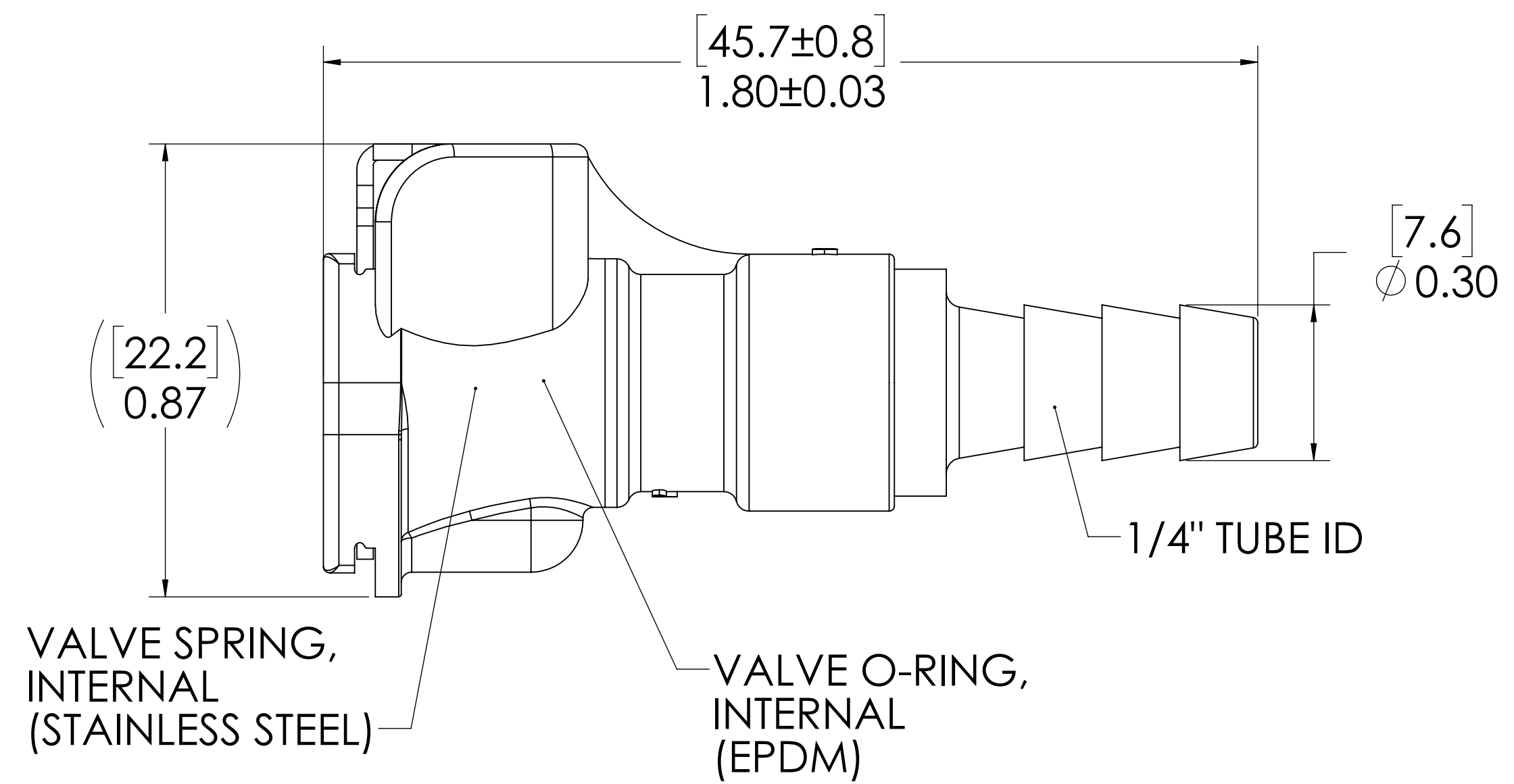


REVISIONS						
SHEET	ZONE	REV.	ECO	DESCRIPTION	DATE	APPROVED
1	D-3	A	....	CHANGED O-RING FROM FOOD GRADE EPDM TO PEROXIDE CURE EPDM	9/24/2010	DHJ
1	ALL	B	50253	2017 FORMAT UPDATE	6/28/2018	HRC



VALVE,  
(POLYPROPYLENE)



VALVE SPRING,  
INTERNAL  
(STAINLESS STEEL)

VALVE O-RING,  
INTERNAL  
(EPDM)

- NOTES:**
1. MATERIAL: POLYPROPYLENE
  2. COLOR: GREY
  3. O-RING MATERIAL: EPDM
  4. O-RINGS LUBRICATED WITH FOOD GRADE SILICONE OIL, 350 CST.

**FOR REFERENCE ONLY**

<small>UNLESS OTHERWISE SPECIFIED: DIMENSIONS ARE IN INCHES TOLERANCES: FRACTIONAL ± 1/32 ANGULAR, MACH ± 0.5 BEND ± 2 ONE PLACE DECIMAL ± 0.1 TWO PLACE DECIMAL ± 0.01 THREE PLACE DECIMAL ± 0.005 TWO PLACE DUAL (mm) [± 0.12]</small>	DRAWN	DHJ	5/21/10	
	CHECKED	DHJ	5/21/10	
	ENG APPR.	HRC	6/28/18	
	MFG APPR.	BDB	6/28/18	
PRODUCTION	LS	6/28/18		<b>PART NO:</b> 20PPV-SE2-04 <b>DESCRIPTION:</b> LinkTech 20PP Series Straight Female, Valved, 1/4" HB, Molded Grey Color
<small>THE INFORMATION CONTAINED IN THIS DRAWING IS THE SOLE PROPERTY OF LINKTECH LLC. ANY REPRODUCTION OR DISCLOSURE IN PART OR AS A WHOLE WITHOUT THE WRITTEN PERMISSION OF LINKTECH LLC IS STRICTLY PROHIBITED.</small>	COMMENTS:			<b>SIZE</b> DWG. NO. REV <b>C</b> 20PP200061 <b>B</b>
SCALE: NTS		WEIGHT:	SHEET 1 OF 1	