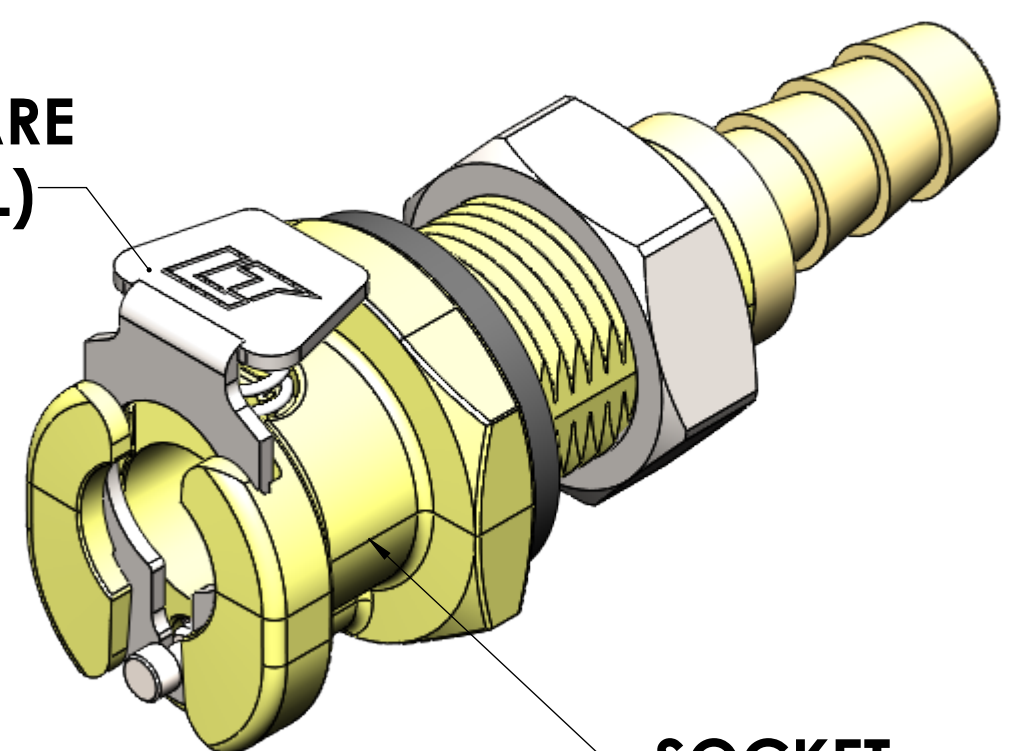
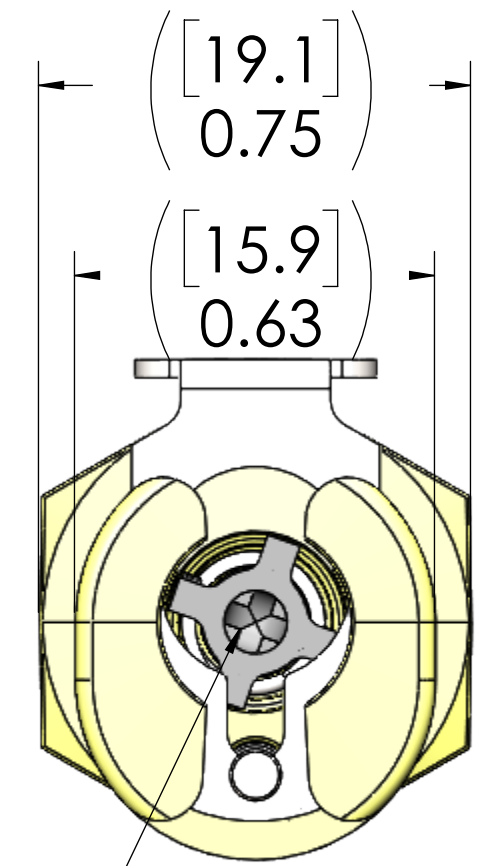


REVISIONS			
REV.	DESCRIPTION	DATE	APPROVED
A	INITIAL RELEASE	04-05-22	FJL

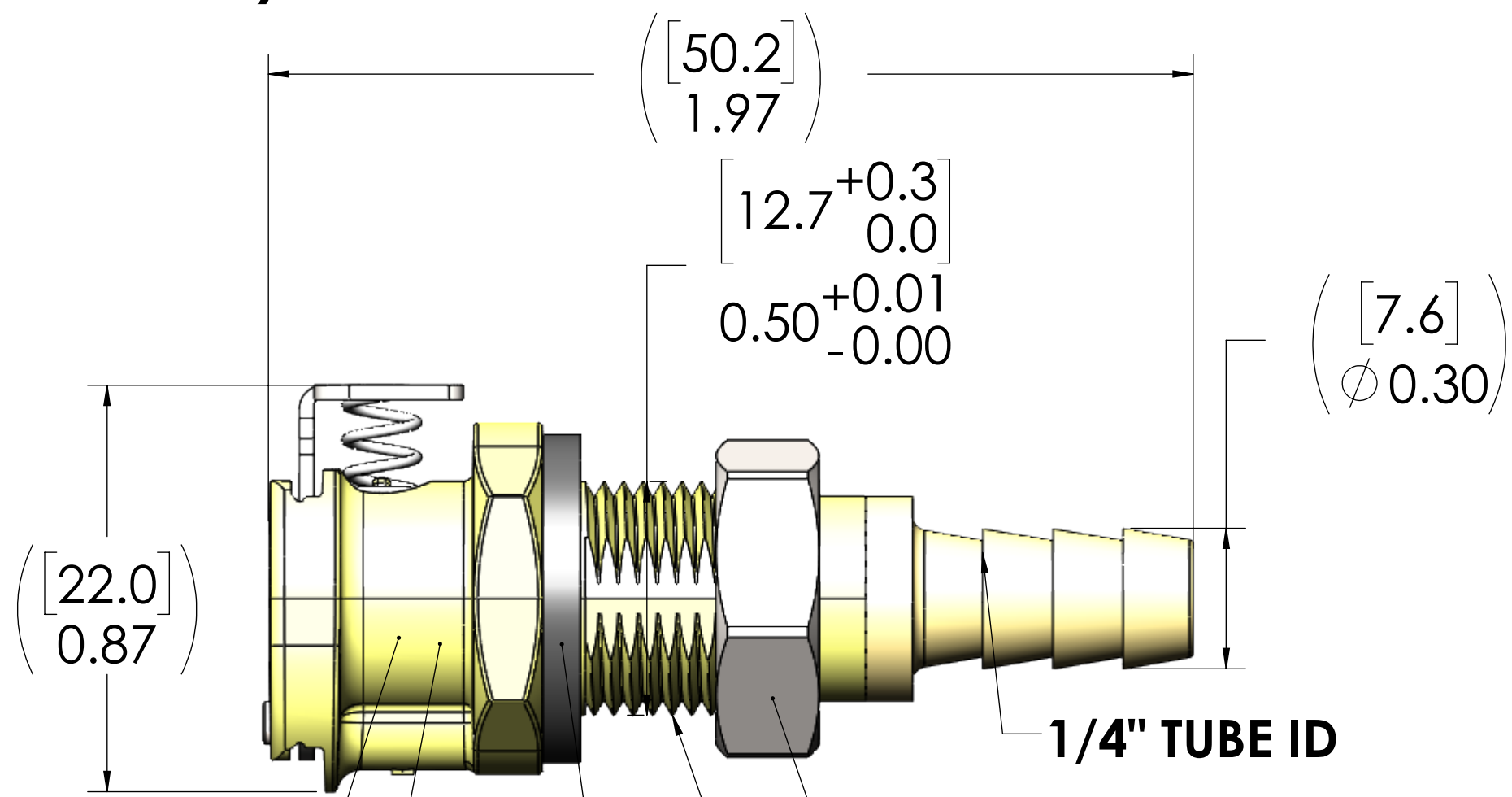
**LATCH HARDWARE
(STAINLESS STEEL)**



**SOCKET
(POLYPROPYLENE)**



**VALVE
(POLYPROPYLENE)**



**VALVE SPRING
INTERNAL
(STAINLESS STEEL)**
**VALVE O-RING
INTERNAL
(EPDM)**


**GASKET
(EPDM)**

1/4" TUBE ID

**PANEL NUT
(POLYPROPYLENE)
(PACKAGED SEPARATELY)**

1/2"-24 UNF THREAD

FOR REFERENCE ONLY

<small>UNLESS OTHERWISE SPECIFIED: DIMENSIONS ARE IN INCHES TOLERANCES: FRACTIONAL ± 1/32 ANGULAR: MACH ± 0.5 BEND ± 2 ONE PLACE DECIMAL ± 0.1 TWO PLACE DECIMAL ± 0.01 THREE PLACE DECIMAL ± 0.005 TWO PLACE DUAL (mm) [± 0.12]</small>	DRAWN	NAME	DATE	 20PPV-SE3-04GSPN <small>DESCRIPTION: LinkTech 20PP Series Panel Mt. Female, Valved, 1/4" HB, Gasket Seal, Plastic Nut, Polypropylene</small>
	CHECKED	CTH	12/10/20	
	ENG APPR.			
	MFG APPR.			
<small>PROPRIETARY AND CONFIDENTIAL THE INFORMATION CONTAINED IN THIS DRAWING IS THE SOLE PROPERTY OF LINKTECH LLC. ANY REPRODUCTION OR DISCLOSURE IN PART OR AS A WHOLE WITHOUT THE WRITTEN PERMISSION OF LINKTECH LLC IS STRICTLY PROHIBITED.</small>	PRODUCTION			<small>SCALE: NTS</small>
	COMMENTS:			<small>SIZE DWG. NO. REV</small> C 1190901 A
				<small>WEIGHT: SHEET 1 OF 1</small>